

AVAILABLE THROUGH DISTRIBUTION



BOURNS®

Features

- Surface Mount / Single Turn / Cermet Industrial / Sealed
- Compatible with surface mount manufacturing processes
- Compatible with popular vacuum pick-and-place equipment

- J-hook, gull-wing and pinned configurations
- Side adjust available
- Meets EIA/EIAJ/IPC/VRCI SMD standard trimmer designs

3314 - 4mm Square Trimming Potentiometer

Electrical Characteristics

Standard Resistance Range10 ohms to 2 megohms
 (see standard resistance table)
 Resistance Tolerance±20% std.
 (tighter tolerance available)
 End Resistance.....1% or 2 ohms max.
 (whichever is greater)
 Contact Resistance Variation1% or 3 ohms
 Resolution.....Infinite
 Insulation Resistance500 vdc.
 100 megohms min.
 Dielectric Strength
 Sea Level.....500 vac (1 minute)
 Adjustment Angle210° nom.

Environmental Characteristics

Soldering Heat260°C, 10 seconds, TRS ±1%
 Power Rating (300 volts max.)
 70°C.....0.25 watt
 125°C.....0 watt
 Temperature Range.....-55°C to +125°C
 Temperature Coefficient±100ppm/°C
 Humidity90-98% RH,
 10 cycles, 240 hours
 Vibration20G TRS ±1%; VRS ±1%
 Shock.....100G TRS ±1%; VRS ±1%
 Load Life
(@ 70°C Rated Power 1000 Hours)
 TRS ±3%
 Rotational Life100 cycles
 TRS ±3%
 Thermal Shock.....5 cycles
 TRS ±2%; VRS ±1%

Physical Characteristics

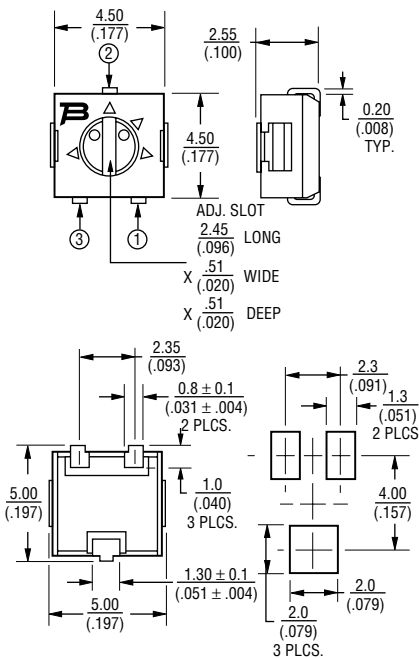
Mechanical Angle240° nom.
 Torque180g-cm typical
 Stop Strength.....300g-cm typical
 Pushover Strength (Z Style)
2 kilograms (4.4 lbs.) minimum
 WeightApproximately 0.01 oz.
 MarkingManufacturer's code,
 resistance code and date code
 WiperPositioned at 50% nominal
 Flammability.....U.L. 94V-0
 Standard Packaging
 J, G and R500 pcs./7" reel
 Z200 pcs./7" reel
 H50 pcs./tube
 Adjustment ToolH-90

TOLERANCES: ± 0.25 (.010) EXCEPT WHERE NOTED

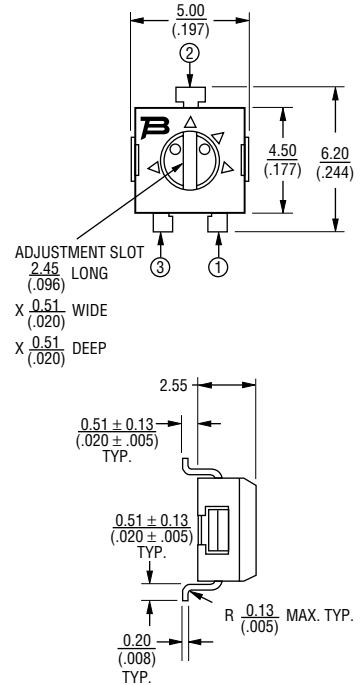
DIMENSIONS ARE: $\frac{\text{METRIC}}{\text{(INCHES)}}$

Product Dimensions

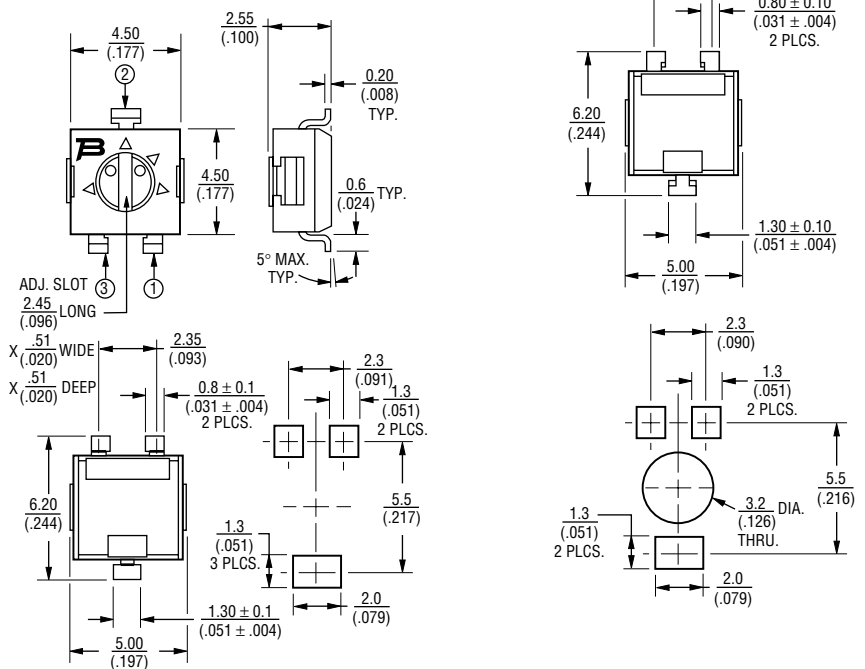
3314J-1



3314R-1



3314G-1



Additional Features

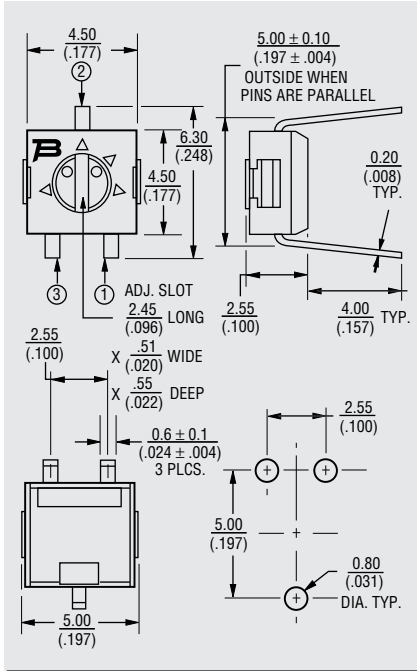
- Model 3314 has been approved for use by DESC on drawings 88039 (3314J) and 90027 (3314G)

3314 - 4mm Square Trimming Potentiometer



Product Dimensions

3314H-1



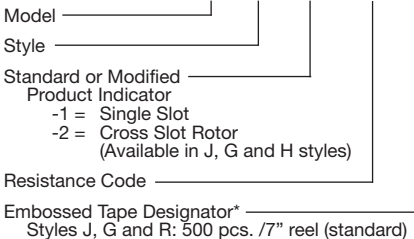
TOLERANCES: ± 0.25 (.010) EXCEPT WHERE NOTED

DIMENSIONS ARE: METRIC (INCHES)

SHADED AREAS TYPICALLY NOT STOCKED BY DISTRIBUTORS AND NOT RECOMMENDED FOR NEW DESIGNS.

How To Order - J, G, H and R Styles

3314 J - 1 - 502 E



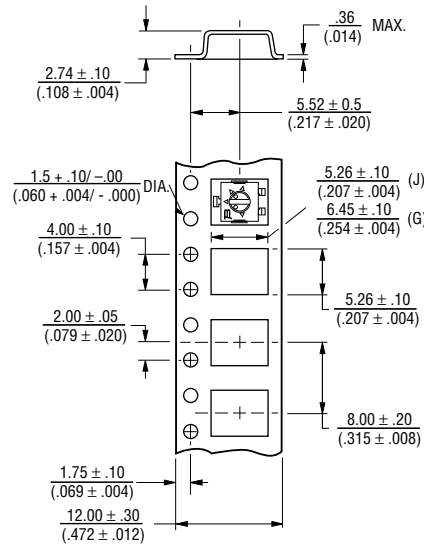
*Style H is available in tube packaging only.

Consult factory for other available options.

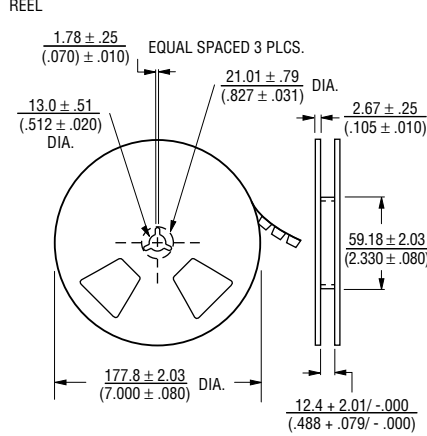
Packaging Specifications - J, G and R Styles

(J, G Styles)

TAPE



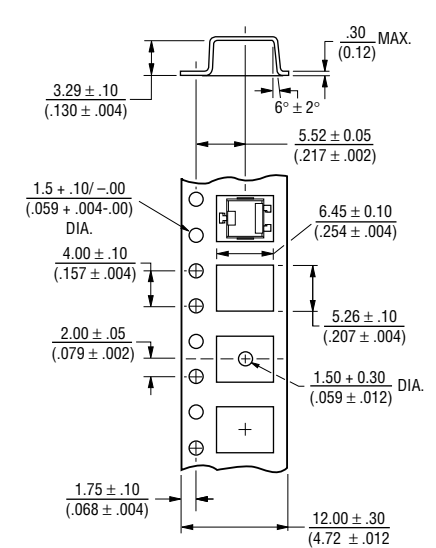
REEL



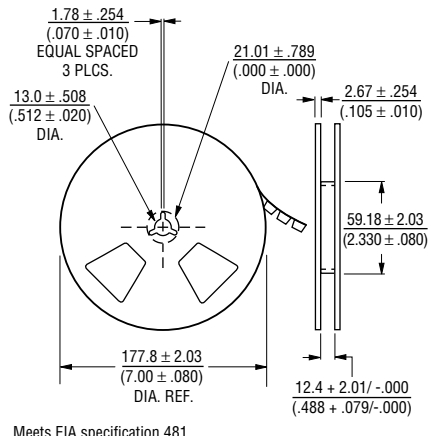
Meets EIA specification 481.

(R Style)

TAPE



REEL



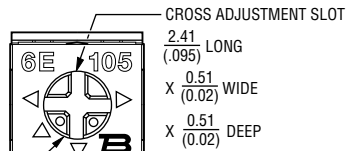
Meets EIA specification 481.

3314 - 4mm Square Trimming Potentiometer

BOURNS®

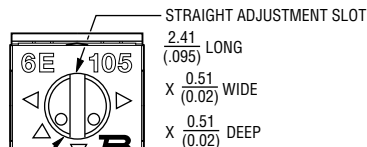
Product Dimensions

3314Z-1-(RC) E (Cross Slot)

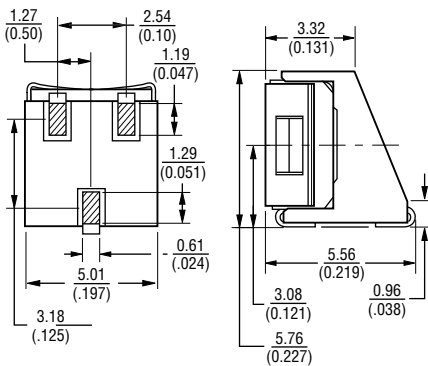


ROTOR POSITIONED AS SHOWN
WITHIN $\pm 22^\circ$ OF CENTERLINE
OF TERMINAL 2

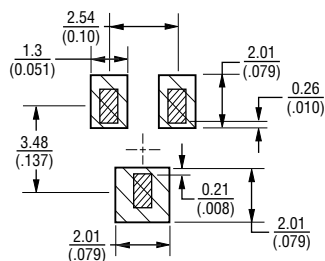
3314Z-GA4-(RC) E (Straight Slot)



ROTOR POSITIONED AS SHOWN
WITHIN $\pm 22^\circ$ OF CENTERLINE
OF TERMINAL 2

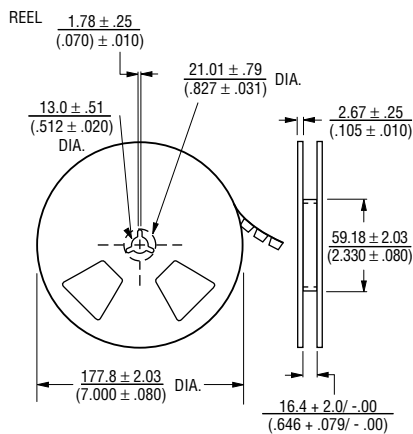
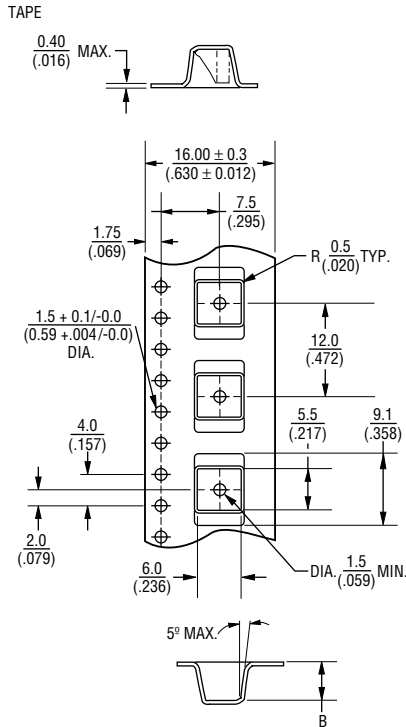


RECOMMENDED PCB LAYOUT



Packaging Specifications

(Z Style)



TOLERANCES: ± 0.25 (.010) EXCEPT WHERE NOTED

DIMENSIONS ARE: $\frac{\text{METRIC}}{\text{(INCHES)}}$

How To Order - Z Style

3314 Z - 1 - 502 E

Model _____
 Style _____
 Standard or Modified _____
 Product Indicator
 -1 = Cross Slot Rotor
 -GA4 = Straight Slot
 Resistance Code _____
 Embossed Tape Designator _____
 Style Z: 200 pcs. /7" reel (standard)

Standard Resistance Table

Resistance (Ohms)	Resistance Code
10	100
20	200
50	500
100	101
200	201
500	501
1,000	102
2,000	202
5,000	502
10,000	103
20,000	203
50,000	503
100,000	104
200,000	204
250,000	254
500,000	504
1,000,000	105
2,000,000	205

Popular values listed in boldface. Special resistances available.

SHADED AREAS TYPICALLY NOT STOCKED BY DISTRIBUTORS AND NOT RECOMMENDED FOR NEW DESIGNS.