



## Features

- Split knurled or plain shaft options
- DPDT latching-push switch
- Metal bushing and shaft
- Carbon element
- Linear and audio taper options
- RoHS compliant\*



## PDB185-GTR - 17 mm Guitar Potentiometer w/Latching-Push Switch

### Electrical Characteristics

Taper..... Linear, audio  
 Standard Resistance Range  
 ..... 10K ohms to 1M ohms  
 Standard Resistance Tolerance....±20 %  
 Residual Resistance..... 2 Ω max.

### Environmental Characteristics

Operating Temperature  
 .....-10 °C to +70 °C  
 Power Rating  
 Linear ..... 0.1 watt  
 Audio ..... 0.05 watt  
 Maximum Operating Voltage  
 Linear ..... 150 V  
 Audio ..... 100 V  
 Sliding Noise..... 47 mV max.

### Mechanical Characteristics

Mechanical Angle ..... 300 ° ±5 °  
 Rotational Torque ..... 20 to 150 g-cm  
 Stop Strength..... 8 kg-cm min.  
 Rotational Life..... 15,000 cycles  
 Switch Life ..... 10,000 actuations  
 Switch Type ..... DPDT  
 Switch Travel ..... 4.0 ± 0.8 mm  
 Switch Operating Force ..... 2 kgf max.  
 Soldering Condition  
 Wave ..... 260 °C max., 5 sec. max.  
 Manual ..... 350 °C max., 3 sec. max.  
 Hardware ..... Two flat washers and  
 two mounting nuts supplied per  
 potentiometer

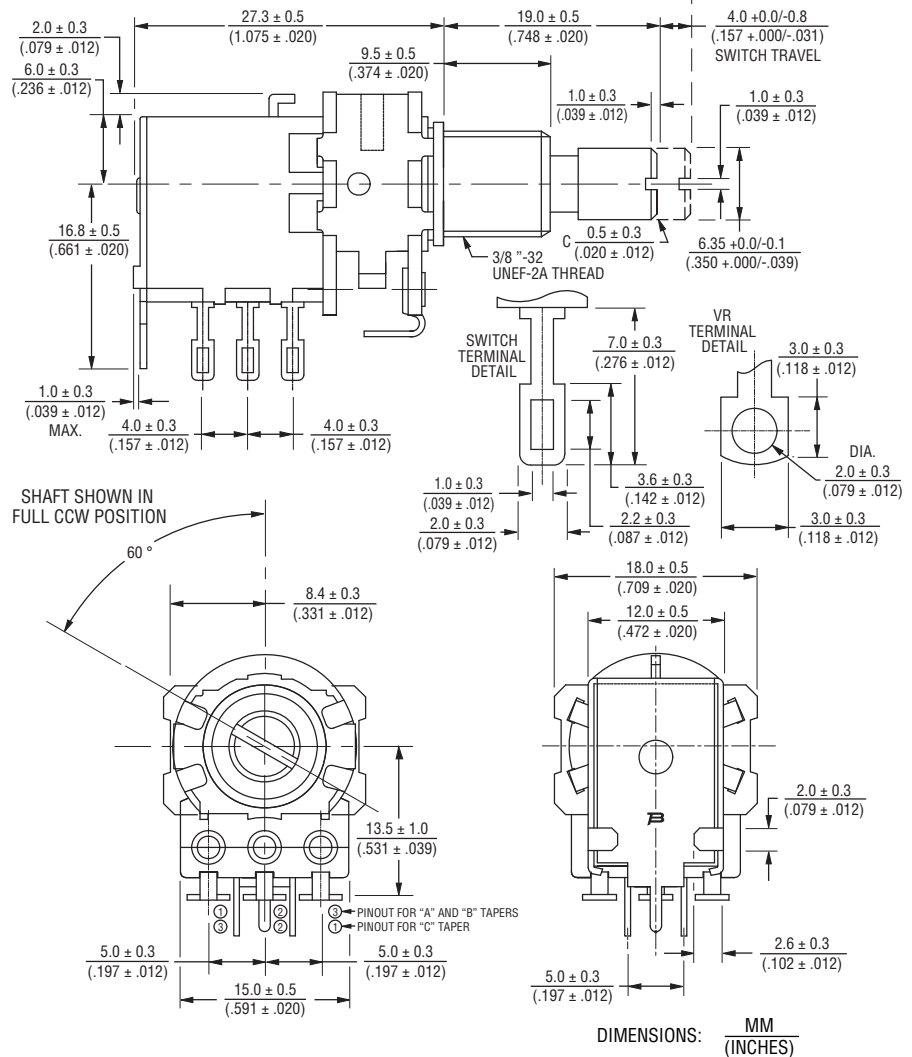
### How To Order

**PDB185 - GTR 11 - 504 A2**

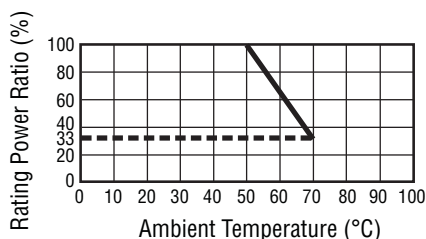
Model \_\_\_\_\_  
 Guitar Pot Designator \_\_\_\_\_  
 Configuration \_\_\_\_\_  
 • 02 = Slotted Shaft / Solder Lugs  
 • 04 = Slotted Shaft/PC Pins  
 • 11 = Knurled Shaft (24 Tooth) /  
 Solder Lugs  
 • 13 = Knurled Shaft (24 Tooth) /  
 PC Pins  
 • 31 = Knurled Shaft (18 Tooth) /  
 Solder Lugs, Long Bushing  
 • 32 = Slotted Shaft / Solder Lugs /  
 Long Bushing  
 Resistance Code (See table) \_\_\_\_\_  
 Resistance Taper (See taper charts) \_\_\_\_\_

### Product Dimensions

#### PDB185-GTR02



### Derating Curve



### Standard Resistance Table

Resistance (Ohms)	Resistance Code
10,000	103
25,000	253
50,000	503
100,000	104
<b>250,000</b>	<b>254</b>
300,000	304
<b>500,000</b>	<b>504</b>
1,000,000	105

\*RoHS Directive 2002/95/EC Jan. 27, 2003 including annex and RoHS Recast 2011/65/EU June 8, 2011. Specifications are subject to change without notice.

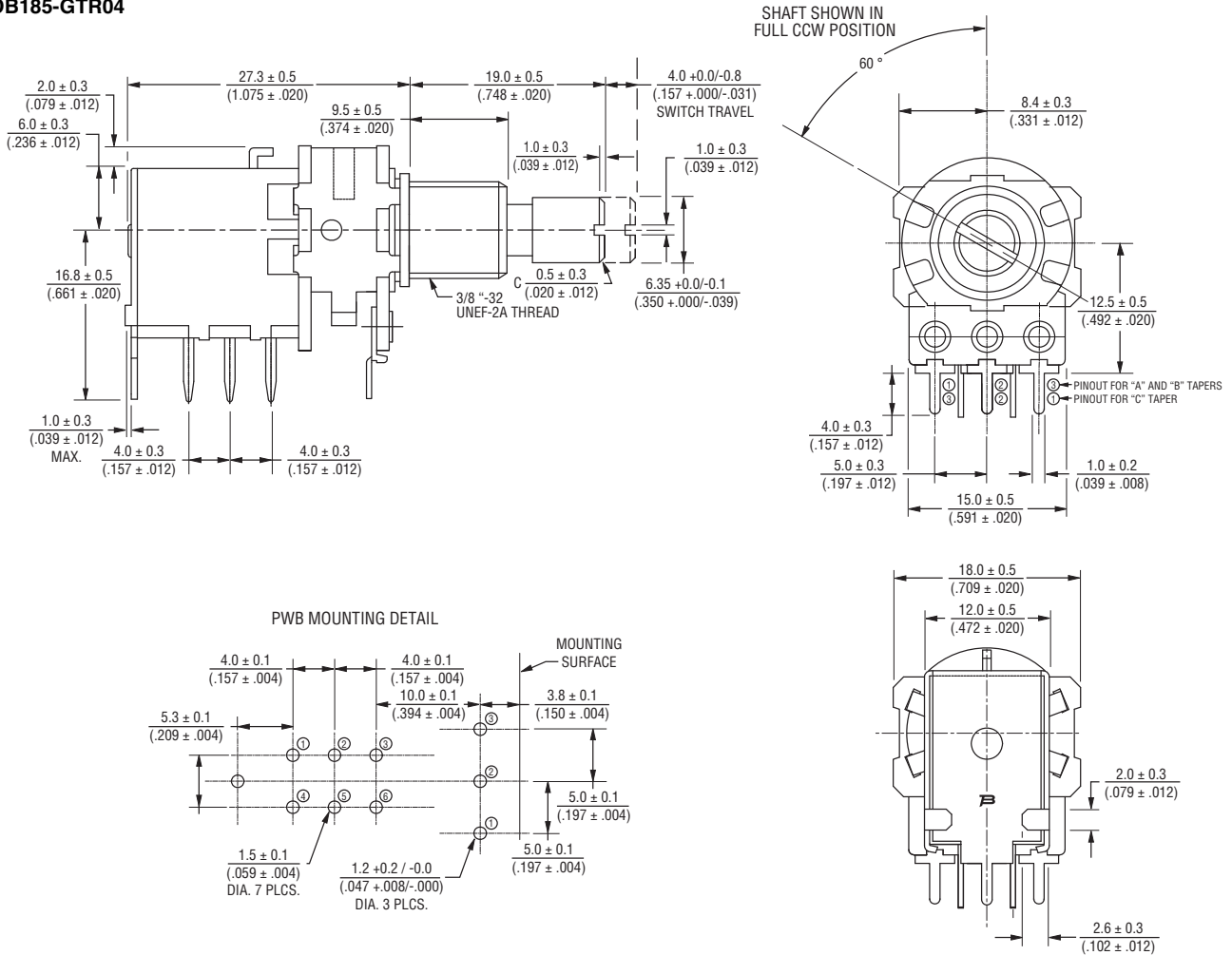
The device characteristics and parameters in this data sheet can and do vary in different applications and actual device performance may vary over time. Users should verify actual device performance in their specific applications.

# PDB185-GTR - 17 mm Guitar Potentiometer w/Latching-Push Switch

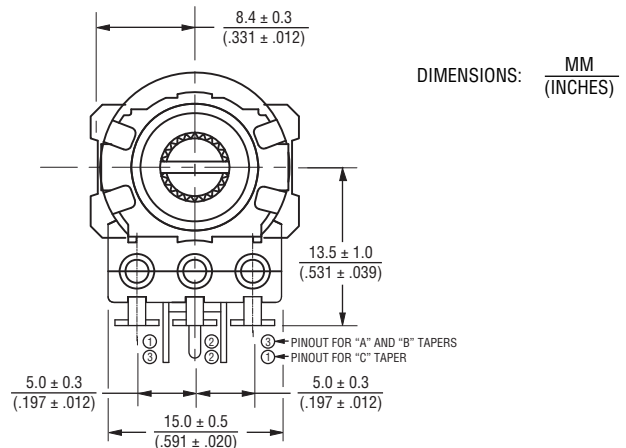
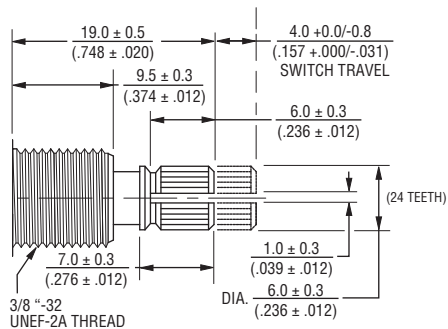


## Product Dimensions (Continued)

### PDB185-GTR04



### PDB185-GTR11, PDB185-GTR13



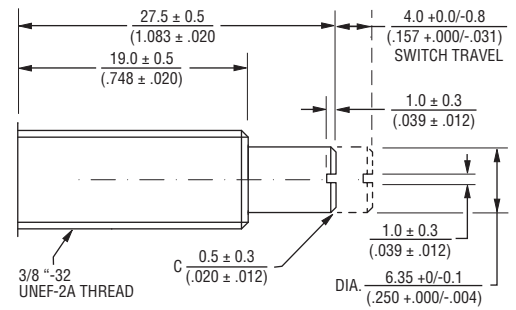
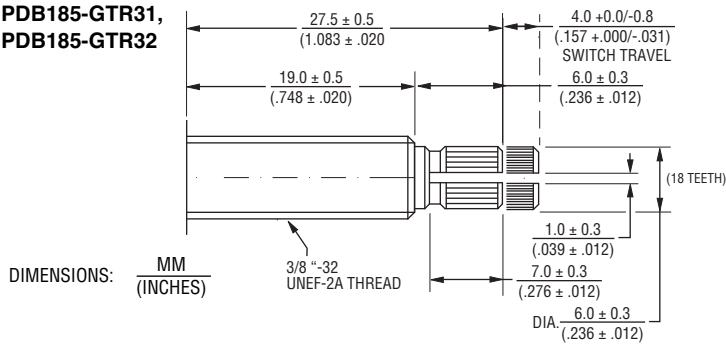
Specifications are subject to change without notice.  
The device characteristics and parameters in this data sheet can and do vary in different applications and actual device performance may vary over time.  
Users should verify actual device performance in their specific applications.

# PDB185-GTR - 17 mm Guitar Potentiometer w/Latching-Push Switch

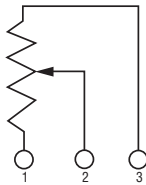


## Product Dimensions (Continued)

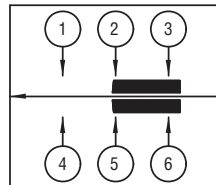
PDB185-GTR31,  
PDB185-GTR32



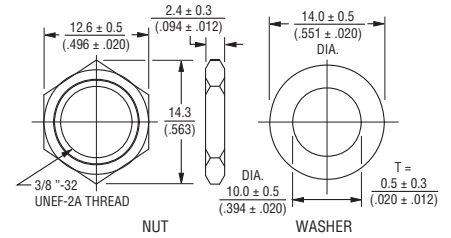
## Circuit



## Switch Circuit

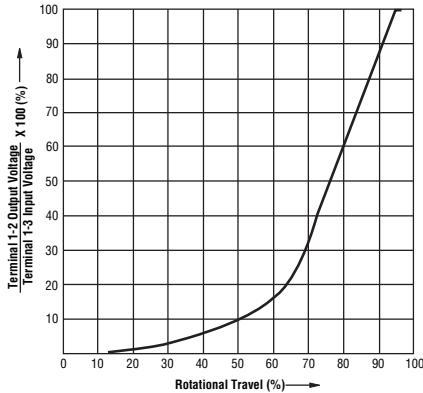


## Hardware

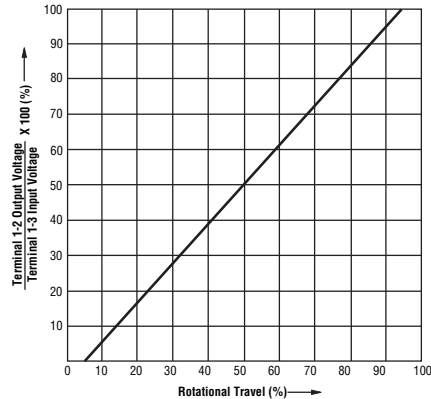


## Tapers

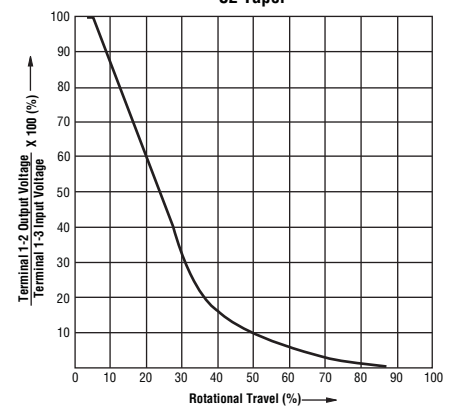
A2 Taper



B0 Taper



C2 Taper



Asia-Pacific: Tel: +886-2 2562-4117 • Fax: +886-2 2562-4116

EMEA: Tel: +36 88 520 390 • Fax: +36 88 520 211

The Americas: Tel: +1-951 781-5500 • Fax: +1-951 781-5700

[www.bourns.com](http://www.bourns.com)

## Typical Part Marking

