

W2S130-BM03-01

AC axial compact fan



ebm-papst Mulfingen GmbH & Co. KG

Bachmühle 2

D-74673 Mulfingen

Phone: +49(0)7938/81-0

Fax: +49(0)7938/81-110

info1@de.ebmpapst.com

www.ebmpapst.com

Nominal data

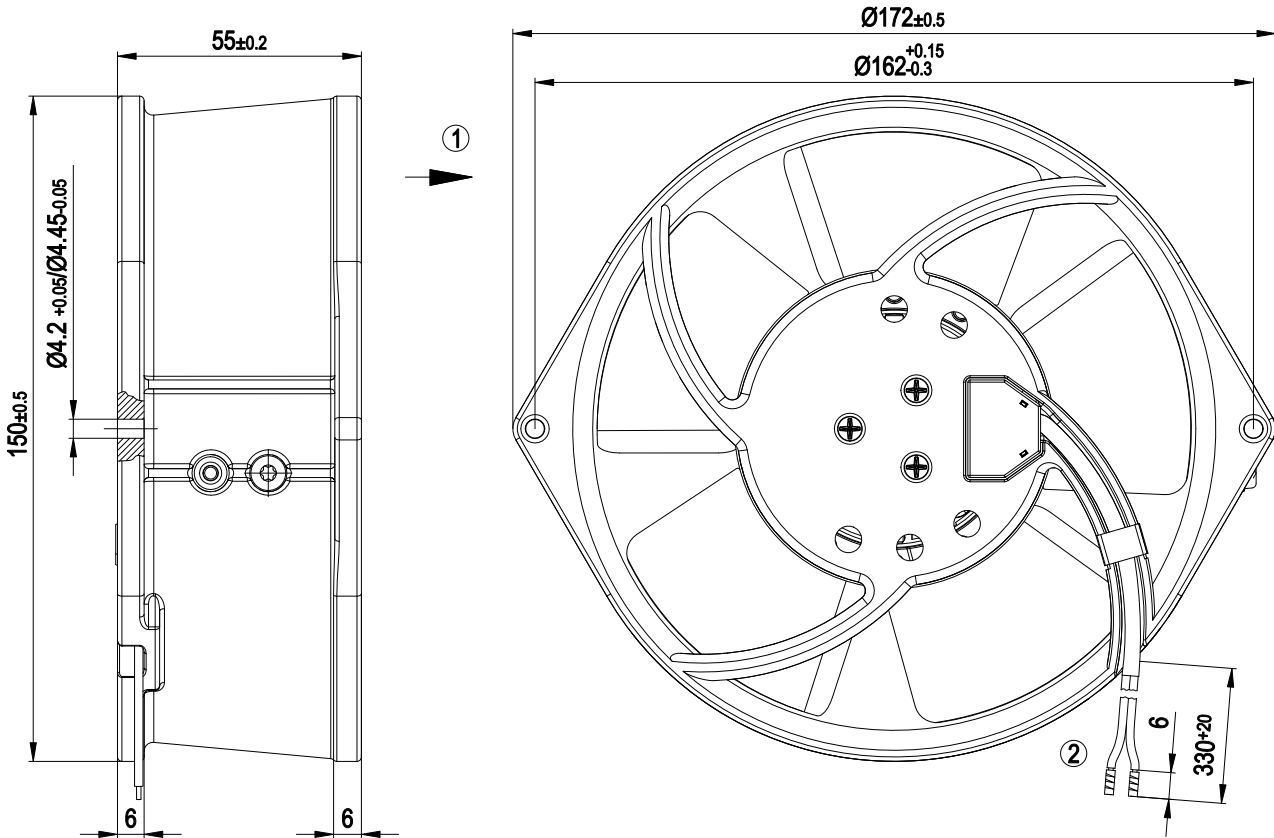
Type	W2S130-BM03-01		
Motor	M2S052-CA		
Phase		1~	1~
Nominal voltage	[V]	230	230
Frequency	[Hz]	50	60
Type of data definition		rfa	rfa
Valid for approval / standard		CE	CE
Speed	[min ⁻¹]	2700	3050
Power input	[W]	47	46
Current draw	[A]	0.31	0.27
Max. ambient temperature	[°C]	50	70

ml = max. load · me = max. efficiency · rfa = running at free air · cs = customer specs · cu = customer unit
Subject to alterations

Technical features

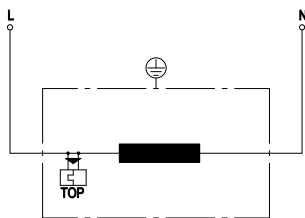
Leakage current	< 0.75 mA
Size	130 mm
Operation mode	S1
Direction of rotation	Counter-clockwise, seen on rotor
Mounting position	Any
Direction of air flow	"A"
Insulation class	"B"
Condensate discharge holes	None
Bearing motor	Ball bearing
Mass	1.1 kg
Housing material	Die-cast aluminum, coated in black
Material of impeller	Sheet steel, coated in black
Motor protection	Thermal overload protector (TOP) wired internally
Product conforming to standard	CE; EN 60335-1
Surface of rotor	Rotor open, coated in black
Number of blades	5
Type of protection	IP 20
Protection class	I
Max. permissible ambient motor temp. (transp./ storage)	+ 80 °C
Min. permissible ambient motor temp. (transp./storage)	- 40 °C
Approval	CCC; CSA C22.2 Nr.113; GOST; UL 507; VDE

Product drawing



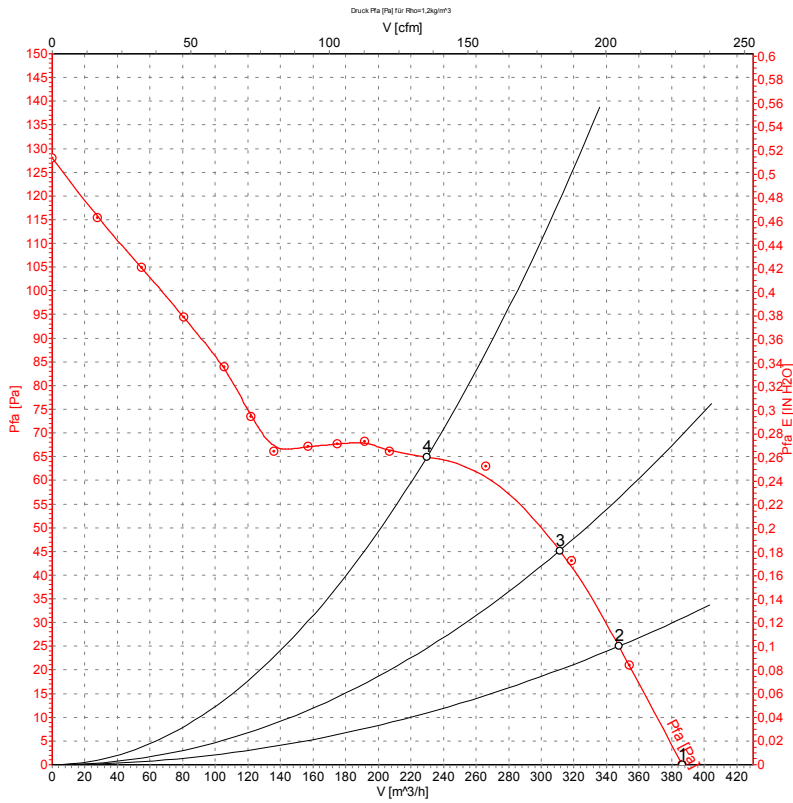
1	Direction of air flow "A"
2	Connection line AWG20, 2x brass lead tips crimped

Connection screen



L	= black
N	= black
TOP	= Thermal overload protector

Charts: Air flow 50 Hz

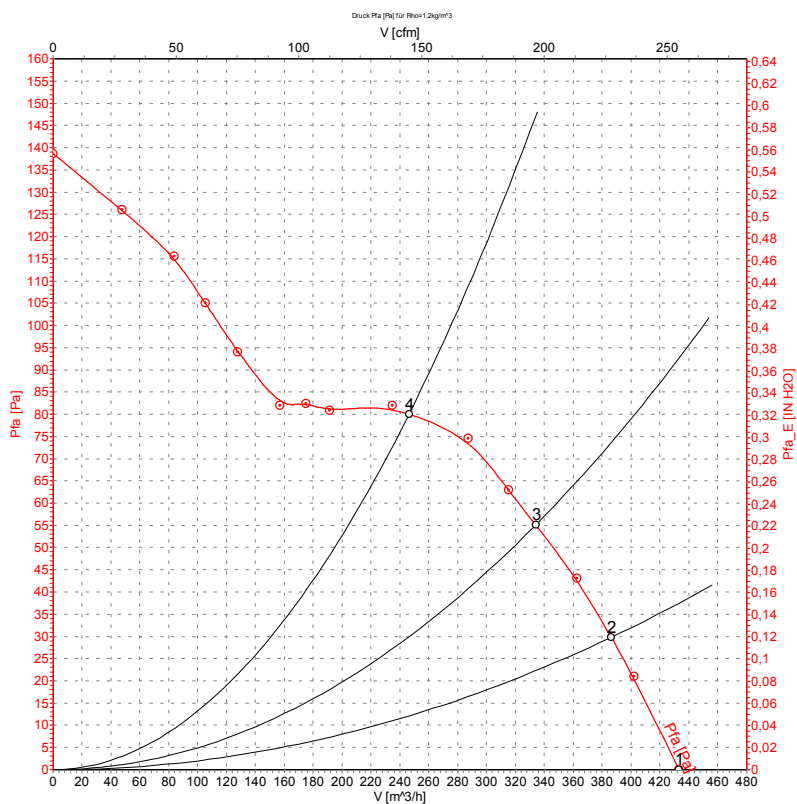


Measurement: LU-57321

Measured values

	U	f	n	P ₁	I	\hat{V}	P _{fa}
	[V]	[Hz]	[min ⁻¹]	[W]	[A]	[m ³ /h]	[Pa]
1	230	50	2760	47	0.31	385	0
2	230	50	2735	50	0.33	350	25
3	230	50	2730	51	0.33	310	45
4	230	50	2710	51	0.33	230	65

Charts: Air flow 60 Hz



Measured values

	U	f	n	P ₁	I	Ŷ	P _{fa}
	[V]	[Hz]	[min ⁻¹]	[W]	[A]	[m ³ /h]	[Pa]
1	230	60	3050	46	0.27	435	0
2	230	60	3025	50	0.29	385	30
3	230	60	2970	51	0.29	335	55
4	230	60	2940	52	0.30	245	80