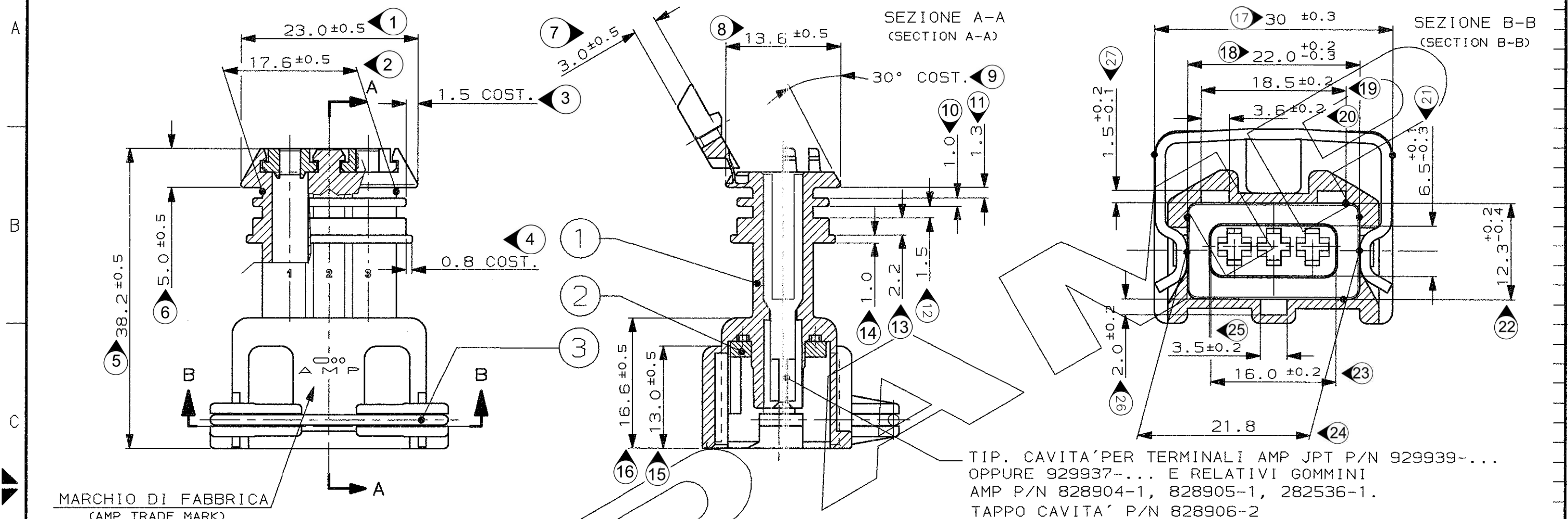


CONNETTORE TIPO A (CON MOLLA DI RITEGNO ESTERNA)
CONNECTOR TYPE B (WITH INTERNAL SPRING)

SCALA NON IMPEGNATIVA
(DO NOT SCALE)
DIMENSIONI IN mm
(DIMENSIONS IN mm)

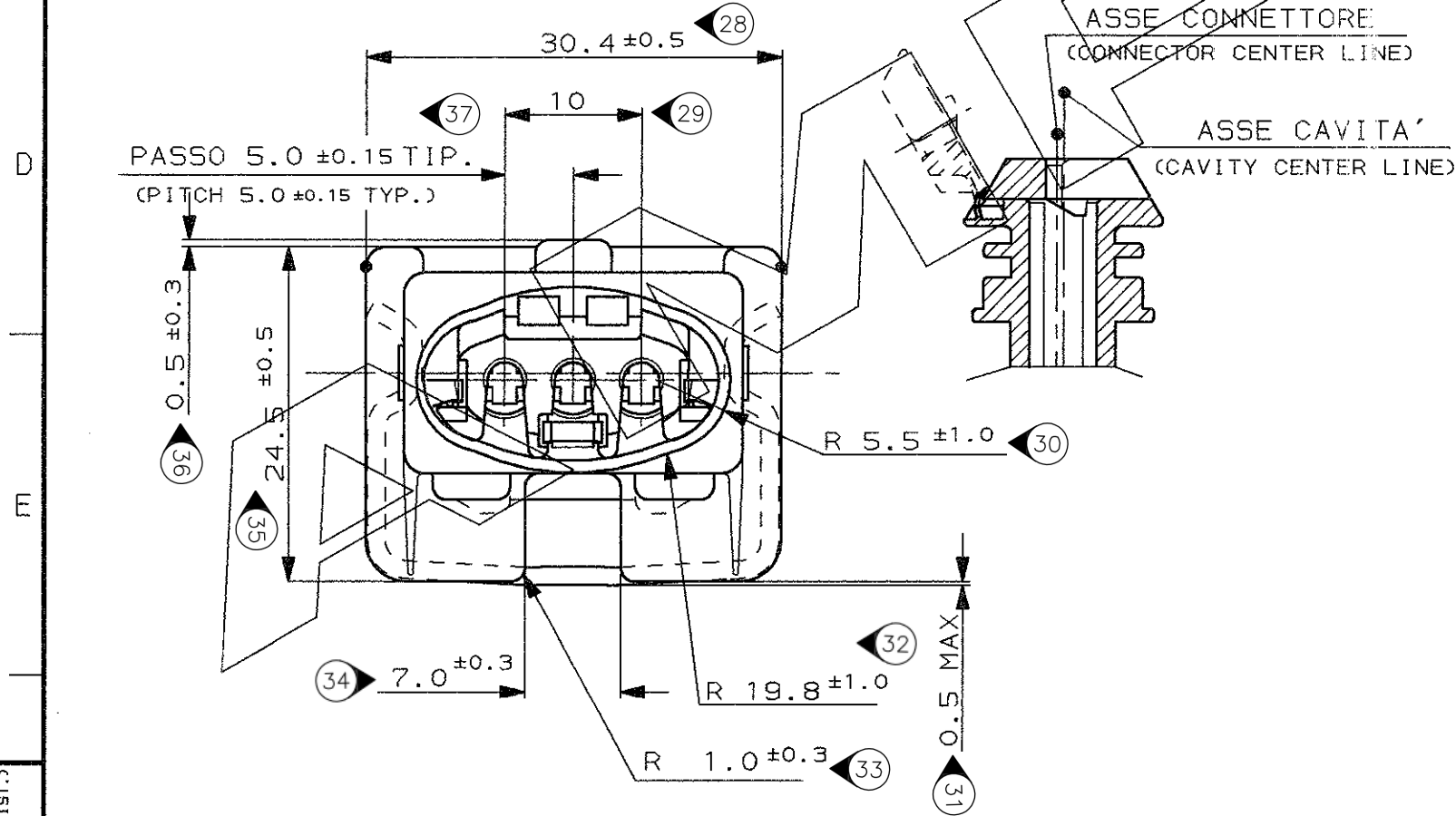
METRIC

PROIEZIONE EUROPEA
(EUROPEAN PROJECTION)



MARCHIO DI FABBRICA
(AMP TRADE MARK)

TIP. CAVITA' PER TERMINALI AMP JPT P/N 929939-...
OPPURE 929937-... E RELATIVI GOMMINI
AMP P/N 828904-1, 828905-1, 282536-1.
TAPPO CAVITA' P/N 828906-2
(TYP. CAV. FOR JPT CONT. P/N 929939-.. A/O 929937-.. AND REL.
SINGLE WIRE SEAL P/N 828904-1, 828905-1, 282536-1
CAVITY PLUG P/N 828906-2)



MARRONE (BROWN)	282729-6	E1	3	//////	ACCIAIO INOX (STAINLESS STEEL)	MOLLA (SPRING)						
BLU (BLUE)	282729-5				2	NATURALE (NATURAL)	GOMMA SILICONE (SILICONE RUBBER)	GUARNIZIONE (SEALING)				
VERDE (GREEN)	282729-4						1	//////	PA 6.6	BLOCCETTO (HOUSING)		
NATURALE (NATUR)	282729-3								1	//////		
GRIGIO (GREY)	282729-2											
NERO (BLACK)	282729-1											
COLORE (COLOR)	NUMERO (PART. N°)	ASSY REV.	N° (ITEM)	FINITURA / COLORE (FINISH / COLOUR)	MATERIALE (MATERIAL)	DESCRIZIONE (DESCRIPTION)						

CUSTOMER DWG. FOR REFERENCE ONLY
DISEGNO PER CLIENTE SOLO PER RIFERIMENTO

THIS DRAWING IS UNPUBLISHED
RELEASE FOR PUBLICATION 19
© COPYRIGHT 19 BY AMP INCORPORATED, HARRISBURG, PA. ALL INTERNATIONAL RIGHT RESERVED. AMP PRODUCTS MAY BE COVERED BY U.S. AND FOREIGN PATENT AND/OR PATENT PENDING
TOLLERANZE, SE NON DIVERSAMENTE SPECIFICATO
(TOLERANCES, UNLESS OTHERWISE SPECIFIED)
DIAM. ISOLANTE (INS. DIA. RANGE) 1.5-3.0 mm (RED. INS. CABLE)
RANGO FILO (WIRE RANGE) 0.5-2.5 mm²
SCALA (SCALE) ---

E1	REVISED PER ECO-16-003585	MP	15MAR 2016	± 0.3		
E	ECR-14-003472	MP	24MAR 2014	ANGOLI (ANGLES) ± 2°		
D	REVISED FOR ET00-0385-99	M.P.	01			
C	RELEASED FOR PRODUCTION -6, WITH EC ET00-0222-98	R.M.		DIS. 19 MAY 95 (DR.)	M. PALMA	DESCRIZIONE (DESCRIPTION) 3 POS. SPLASH PROOF CONN. ASS'Y with SECONDARY LOCK
B	REVISED AND IN PRODUCTION EC ET00-0075-96	A.B.	12-2 1996	CONT. 19 MAY 95 (CHK)	C. TARTARI	
A	FIRST ISSUE WITH ECN ET00-0217-95	M.P.	15-9 1995			
REV.	REVISIONI (REVISION RECORD)	DIS. (DR)	DATA (DATE)	APP. (APP.)		
LOC. SIZE (DWG NO)		NUMERO (DWG NO)		REV.	FOLGIO (SHEET)	
IA3		C-282729		E1	1	DI (OP) 2

DISTRIBUZIONE
(PRINT DIST.)

