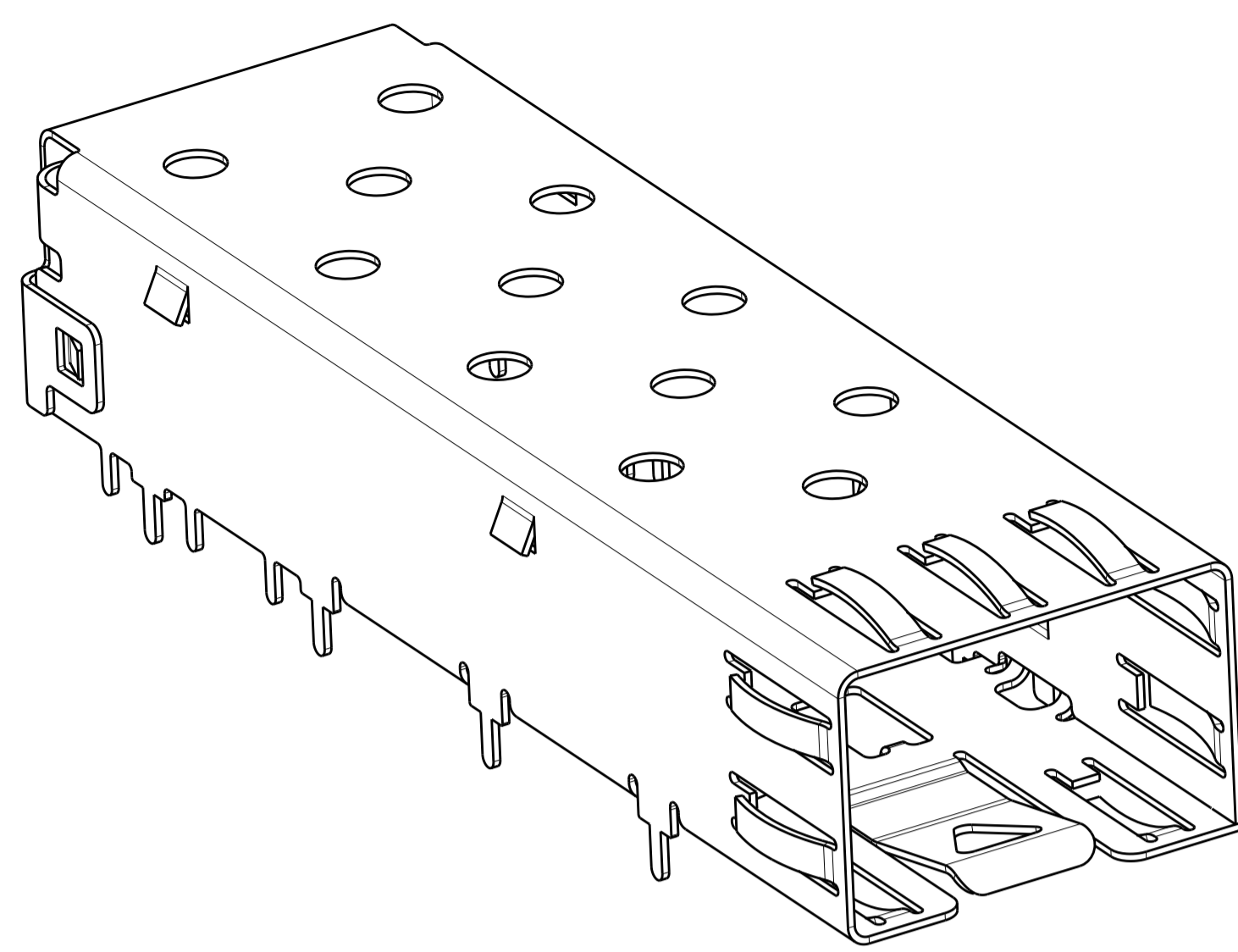
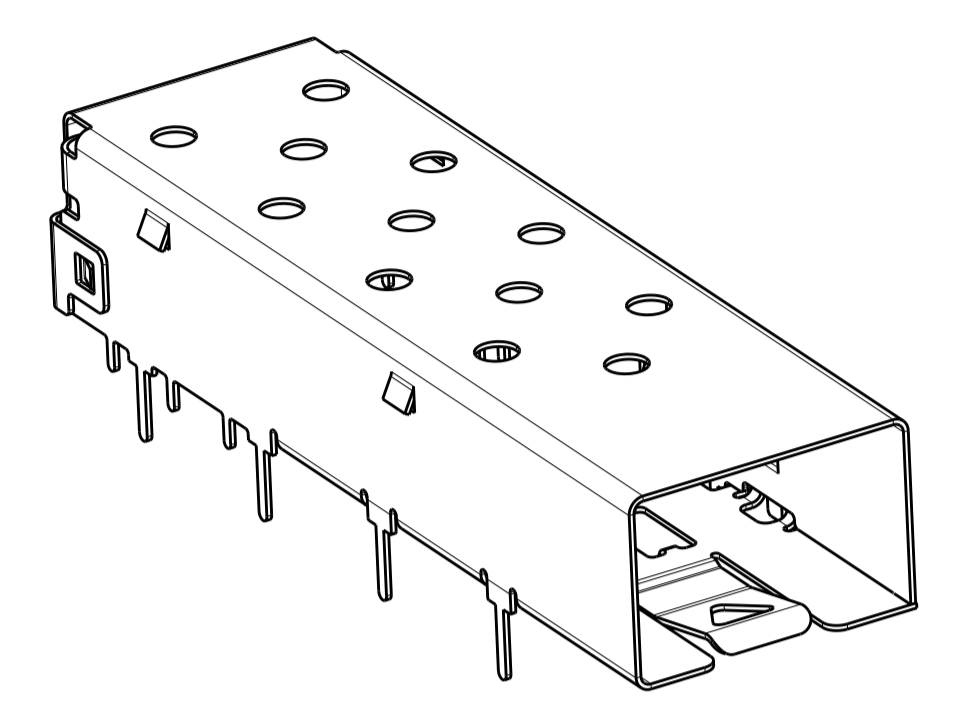


LOC	DIST	REVISIONS					
		P	LTN	DESCRIPTION	DATE	DWN	APVD
GP	00	B		REVISED PER ECR-18-013640	28AUG2018	IT	SH
		C		REVISED PER ECR-19-008054	22MAY2019	IT	SH

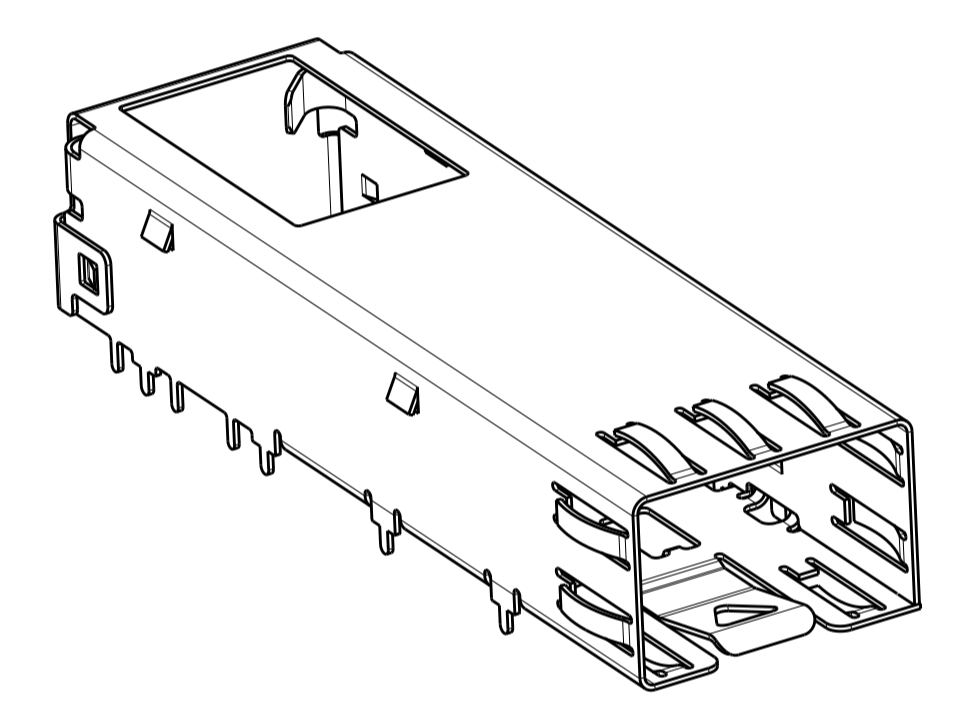
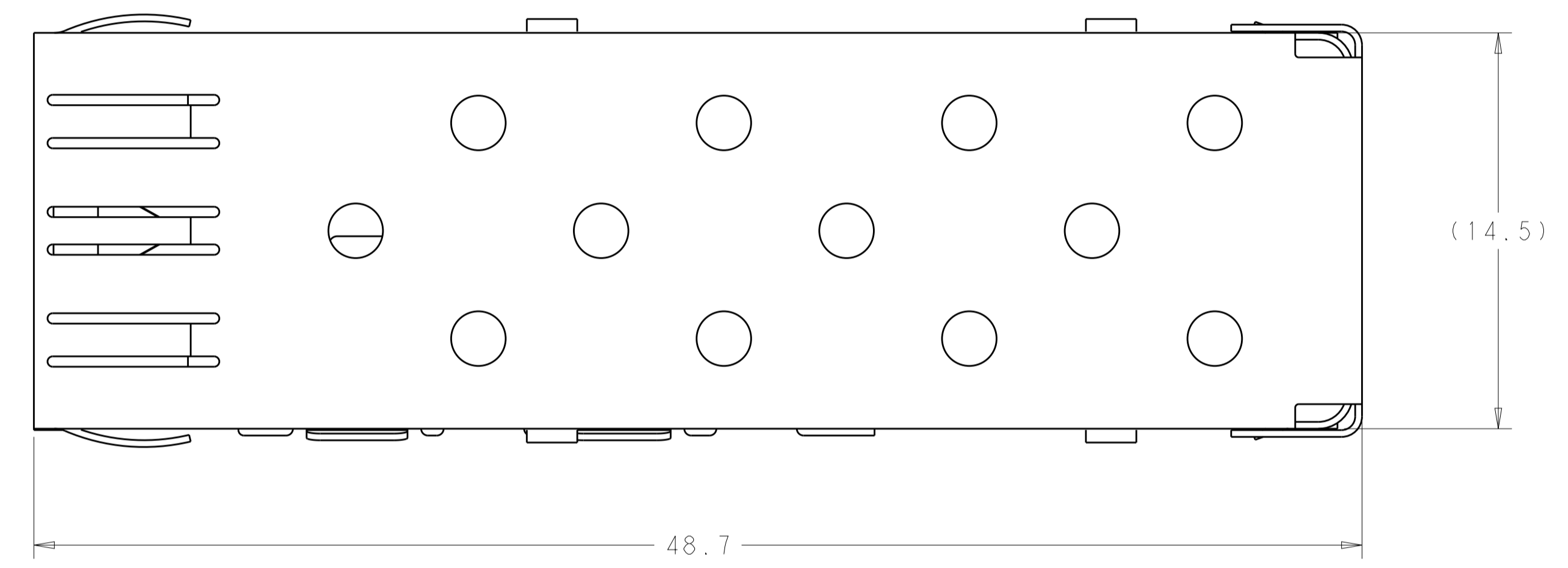


2227303-1, -2, -3, -7  
 1-2227303-2

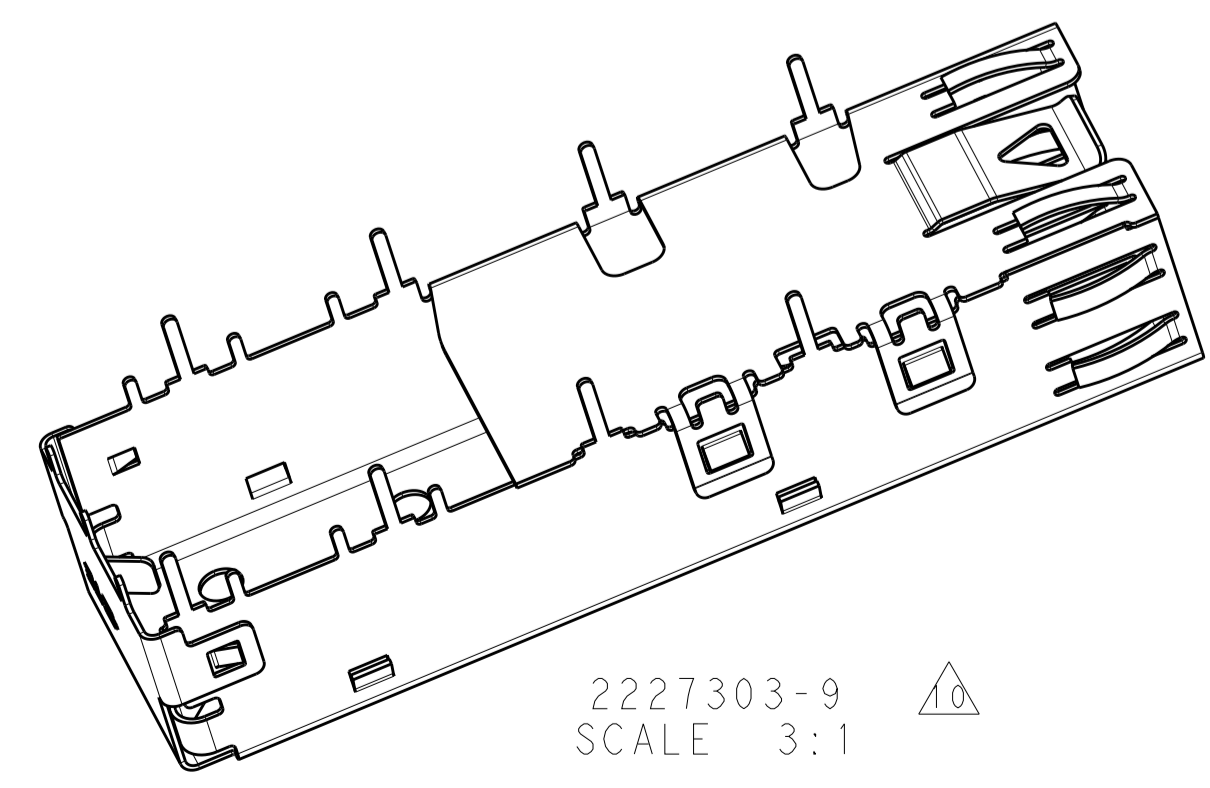
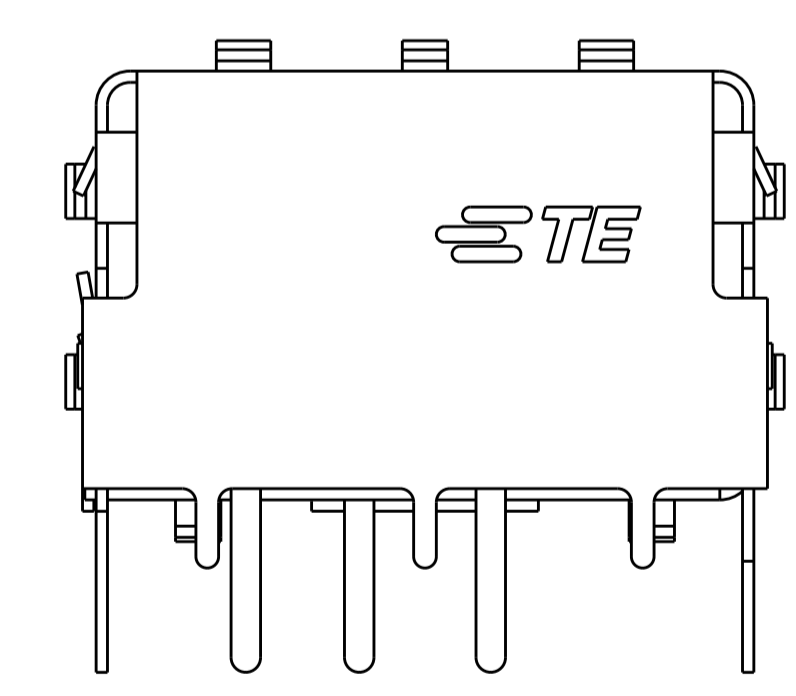
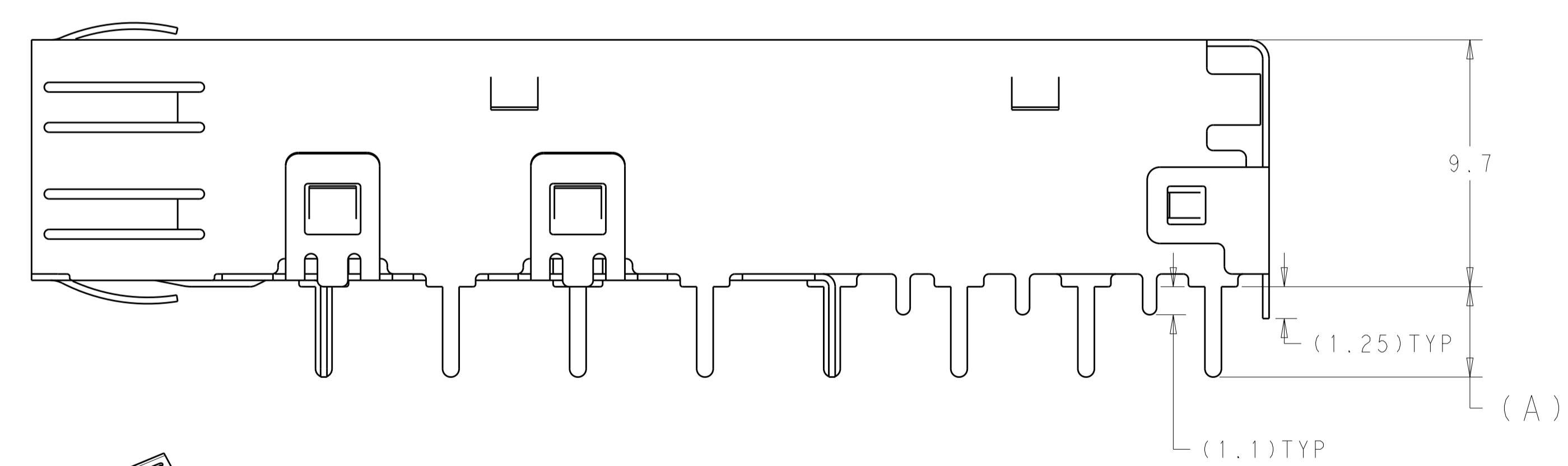
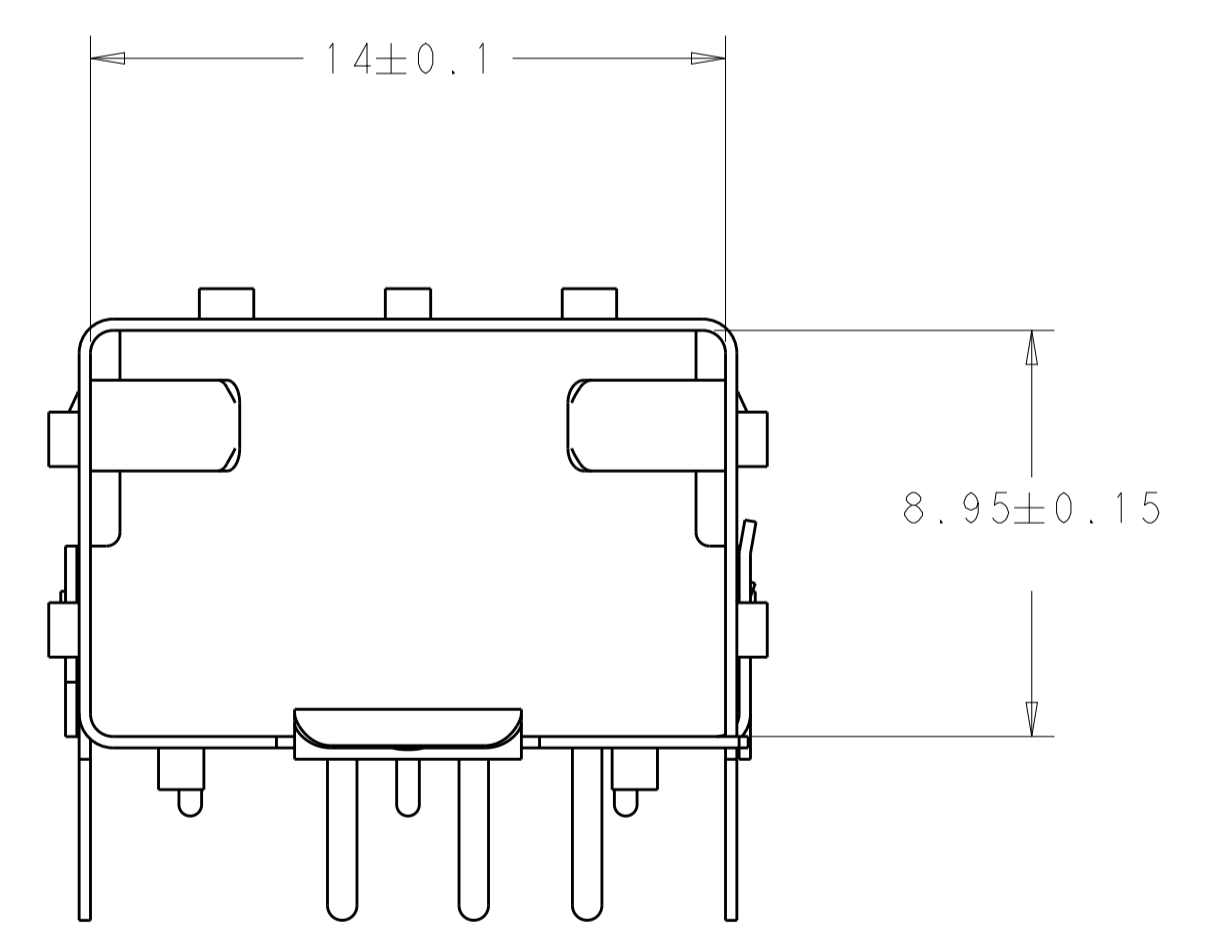
- △ MATERIAL: 0.25mm THICK STAINLESS STEEL.
- △ FINISH: 0.00125mm Min. NICKEL OVER ALL , 0.002mm Min. TIN DIPPED ON SOLDER TABS, NON PLATED EDGES PERMISSIBLE.
- 3. MATES WITH SFP MSA COMPLIANT TRANSCEIVERS.
- △ PADS AND VIAS CHASSIS GROUND.
- △ DATUM AND BASIC DIMENSION ESTABLISHED BY CUSTOMER.
- 6. MINIMUM PC BOARD THICKNESS:  
 SINGLE SIDED = 1.50 mm
- △ REFERENCE APPLICATION SPEC. 114-13120, HOLE A, FOR RECOMMENDED DRILL HOLE DIAMETER AND PLATING THICKNESS.
- △ REFERENCE APPLICATION SPEC. 114-13120, HOLE C, FOR RECOMMENDED DRILL HOLE DIAMETER AND PLATING THICKNESS.
- △ ESD PROTECTION PACKAGE.
- △ WITHOUT THREE LOCATION PINS
- △ WITHOUT EMI SPRING
- △ WITH CUSTOMIZED HEATSINK OPEN
- △ PRELIMINARY PART



△ 1-2227303-1



△ 2-2227303-2



2227303-9  
 SCALE 3:1

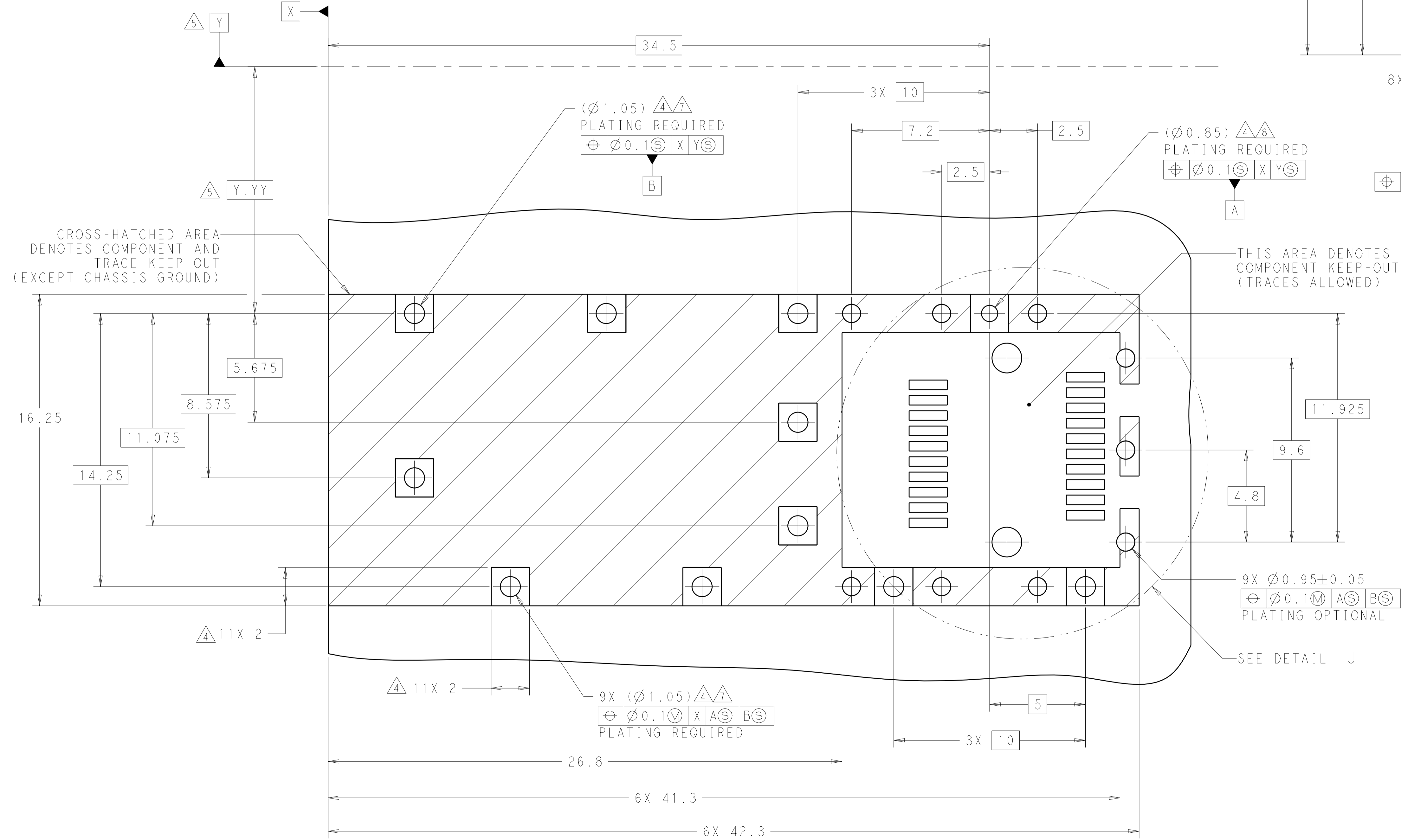
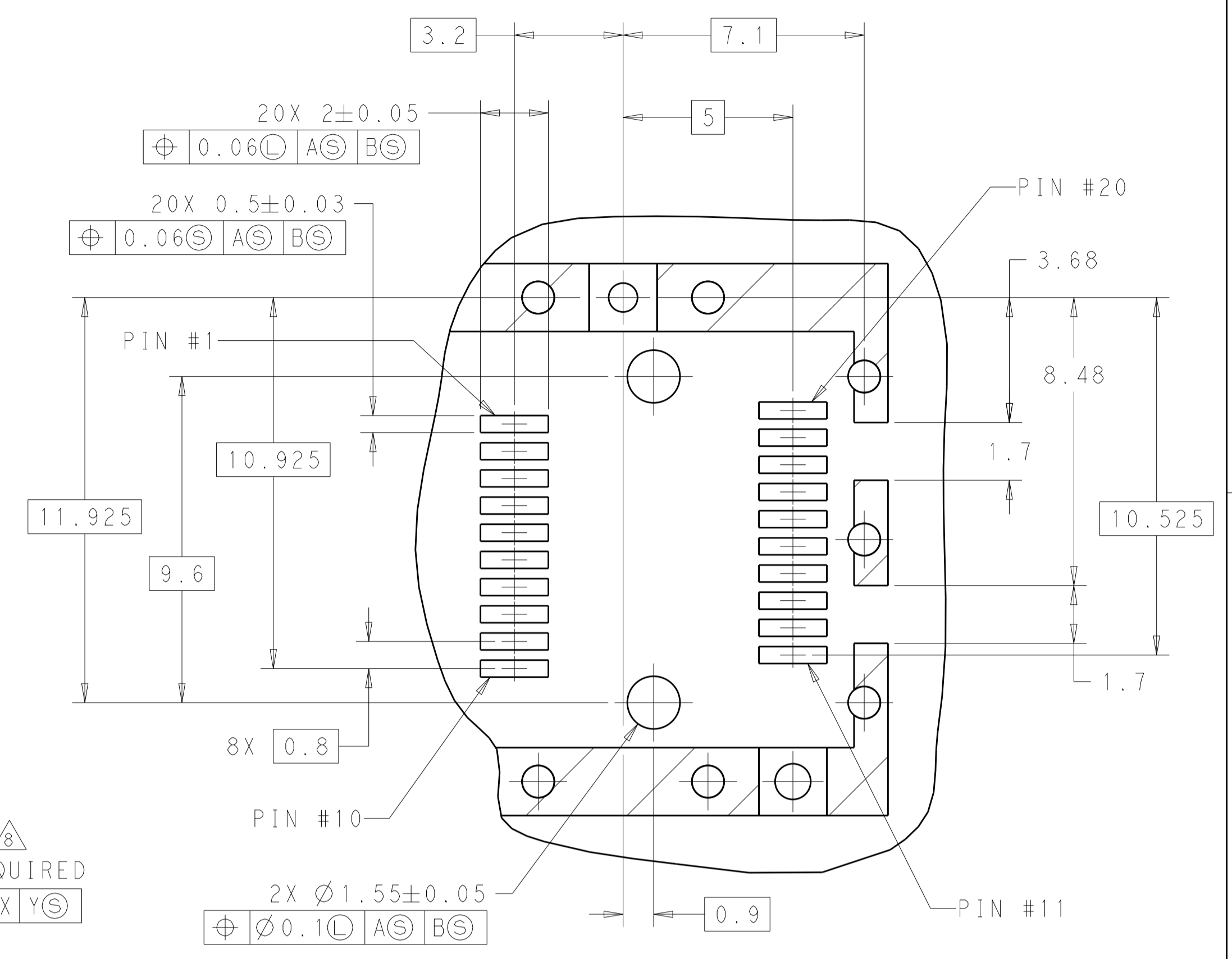
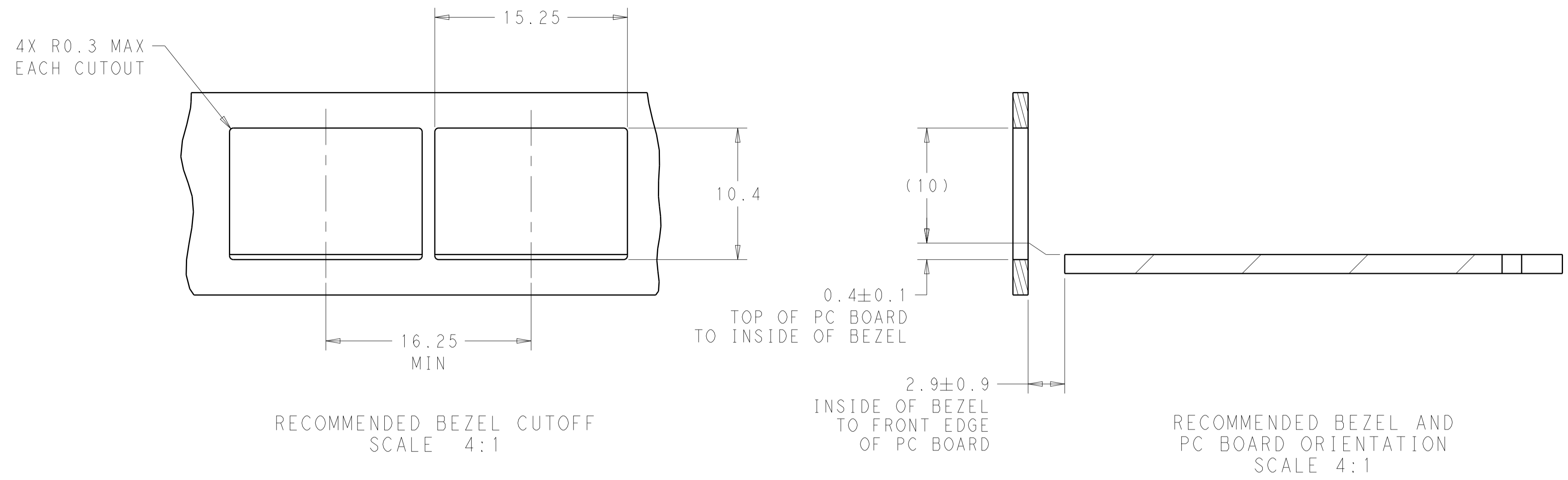
DESCRIPTION	PACKAGING	A	PART NUMBER
WITH HEATSINK OPEN	△ REEL	1.25	2-2227303-2
WITHOUT EMI SPRING	△ TRAY	3.55	1-2227303-1
WITHOUT LOCATION PIN	△ TRAY	3.55	2227303-9
ALL PINS 3.55 LENGTH	△ TRAY	3.55	2227303-7
STANDARD TYPE WITH AIR VENTS, EMI SPRING, LOCATION PIN	△ REEL	1.80	1-2227303-2
	TRAY	1.80	2227303-3
	REEL	1.80	2227303-2
	TRAY	3.55	2227303-1

THIS DRAWING IS A CONTROLLED DOCUMENT. DIMENSIONING AND TOLERANCING PER ASME Y14.5M-2009.		DWN C. VALENTINE 19OCT2012	TE Connectivity	
TOLERANCES UNLESS OTHERWISE SPECIFIED:		CHK M. SCHMITT 19OCT2012		
DIMENSIONS:	mm	APVD M. SCHMITT 19OCT2012	NAME SFP, 1X1 SINGLE PIECE CAGE, SOLDER PIN	
0 PLC	±0.1	PRODUCT SPEC	SIZE CAGE CODE DRAWING NO RESTRICTED TO	
1 PLC	±0.1	108-1950	A100779C=2227303	
2 PLC	±0.1	APPLICATION SPEC	SCALE 6:1 SHEET 1 OF 3 REV C	
3 PLC	±0.1	114-13120	Customer Drawing	
4 PLC	±0.1	WEIGHT		
ANGLES	±°			
MATERIAL				
FINISH				

LOC	DIST	REV	DATE	APPV
GP	00			

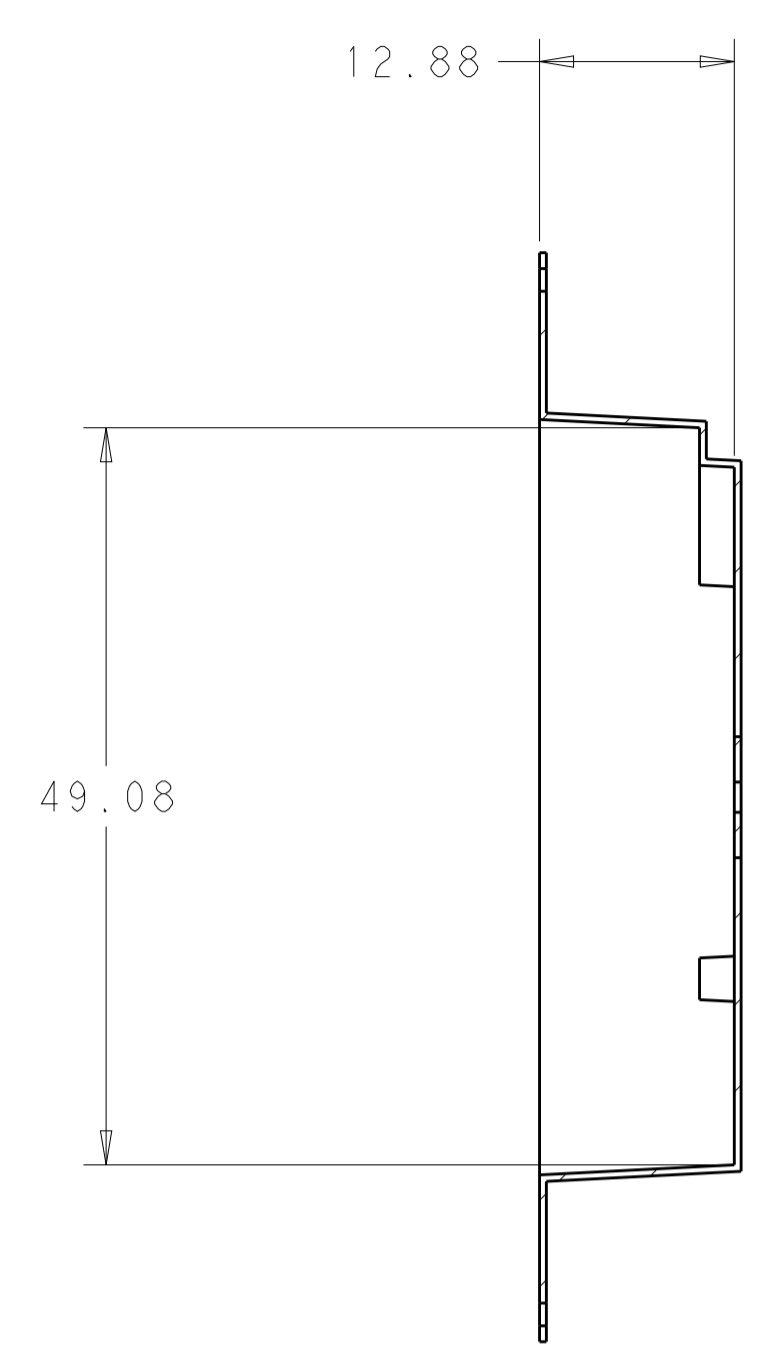
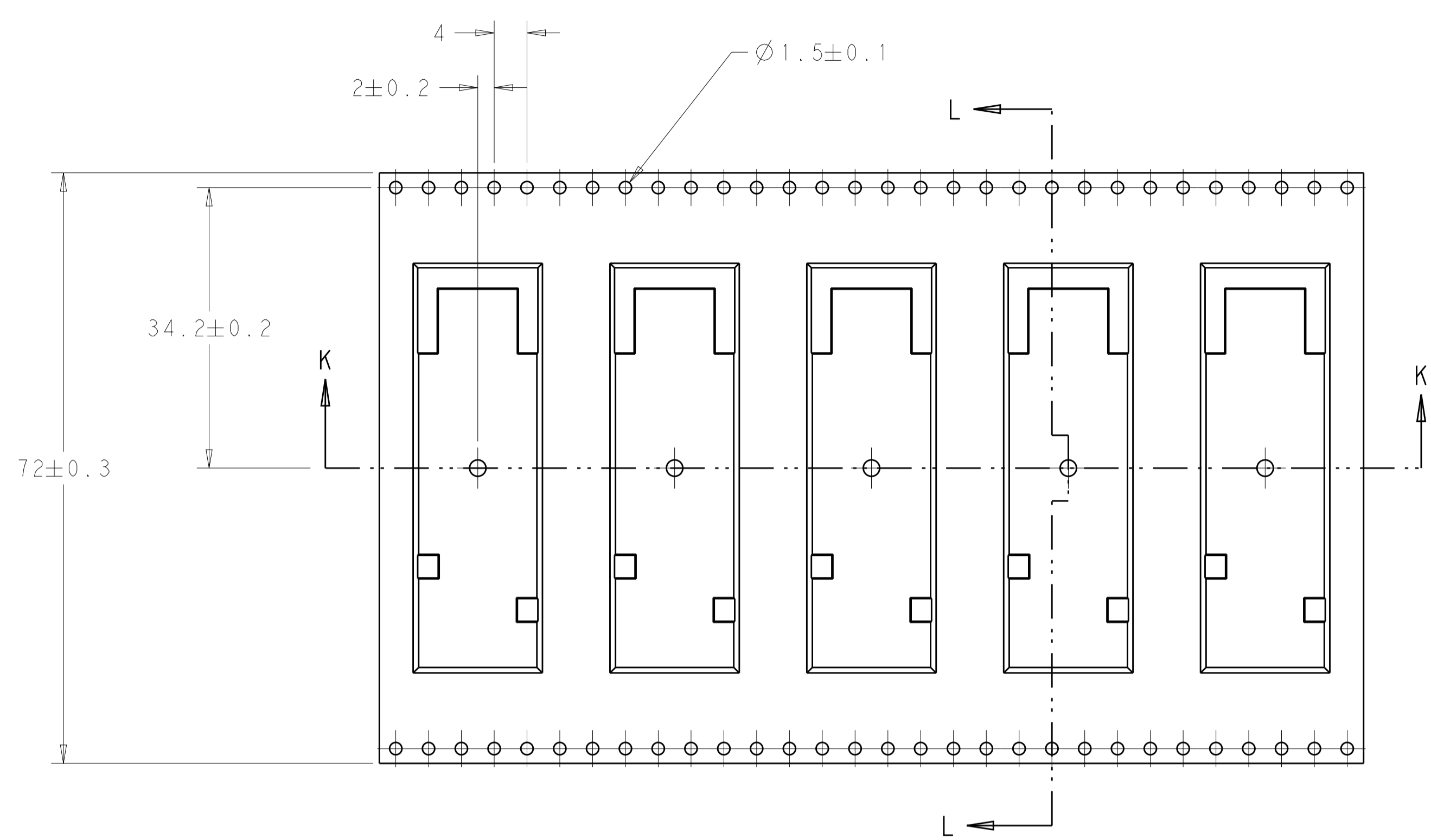
REVISIONS		DATE	OWN	APPV
	SEE SHEET 1			



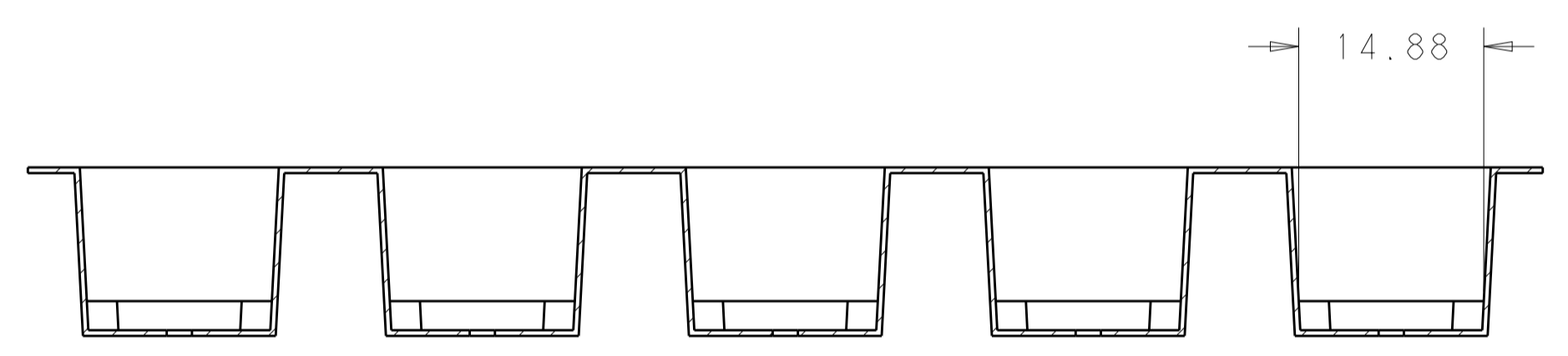
RECOMMENDED PCB LAYOUT SCALE 8:1

THIS DRAWING IS A CONTROLLED DOCUMENT. DIMENSIONING AND TOLERANCING PER ASME Y14.5M-2009.		OWN: C. VALENTINE 19OCT2012	TE Connectivity
		CHK: M. SCHMITT 19OCT2012	
		APPV: M. SCHMITT 19OCT2012	NAME: SFP, 1X1 SINGLE PIECE CAGE, SOLDER PIN
		PRODUCT SPEC: 108-1950	SIZE: CAGE CODE DRAWING NO: A100779C=2227303
		APPLICATION SPEC: 114-13120	RESTRICTED TO: -
		WEIGHT: -	SCALE: 6:1 SHEET 2 OF 3 REV C
		Customer Drawing	

LOC	DIST	REVISIONS			
P	LTN	DESCRIPTION	DATE	DWN	APVD
-	-	SEE SHEET 1	-	-	-

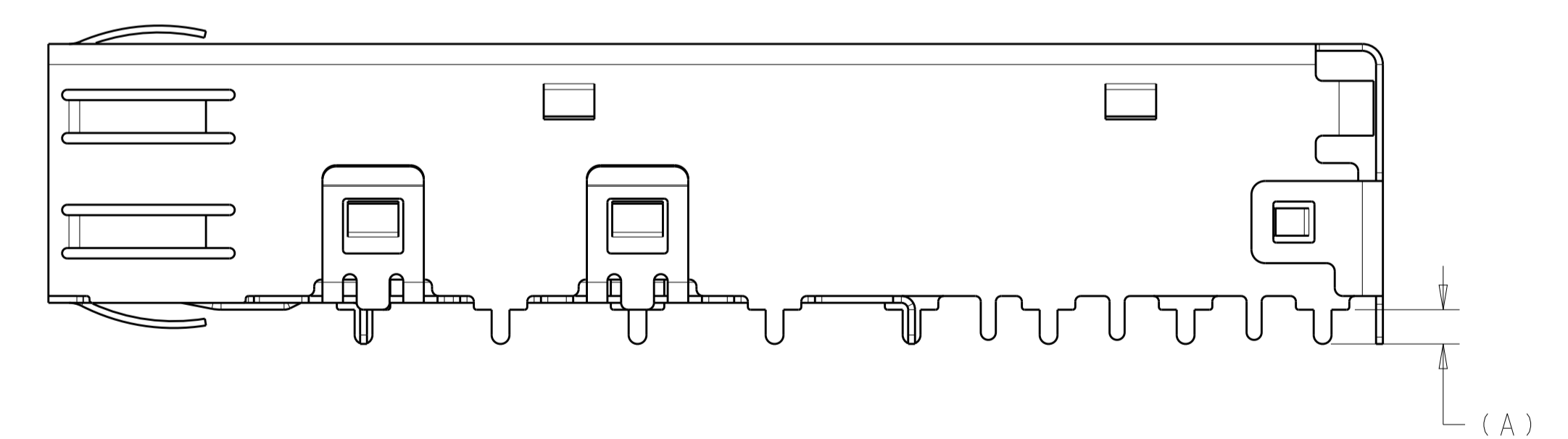
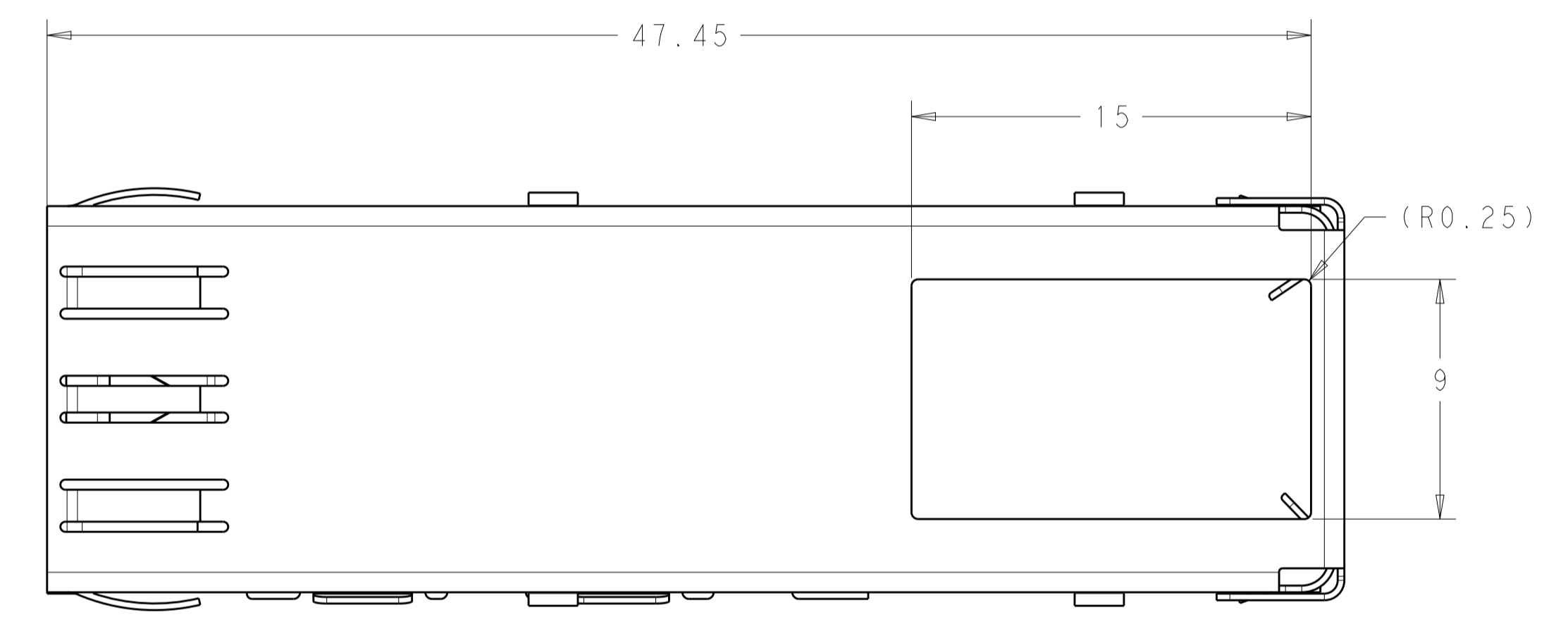


SECTION L-L

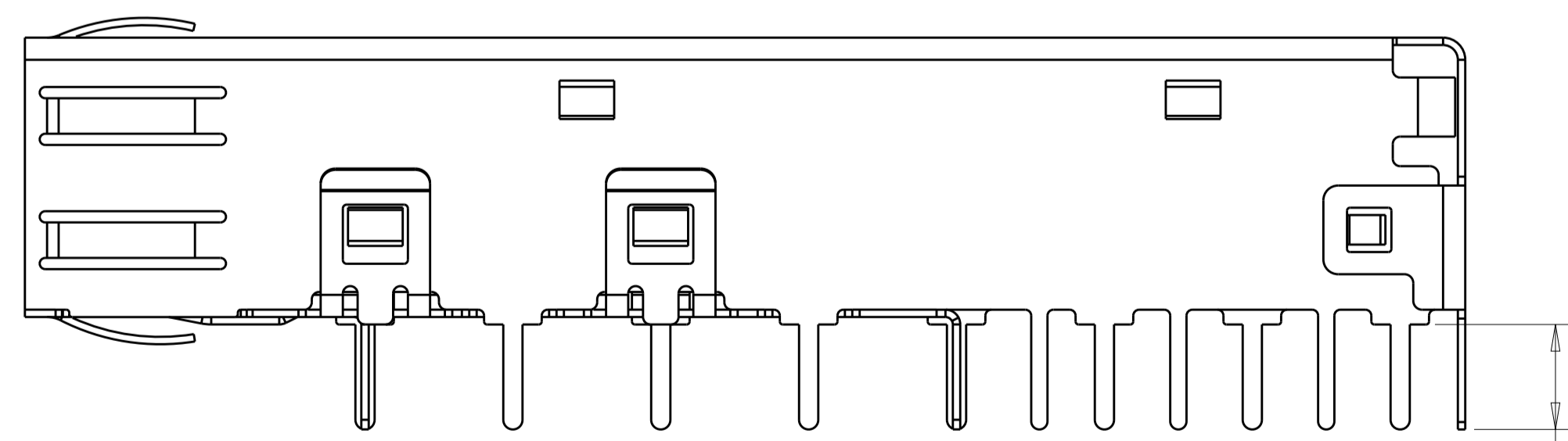
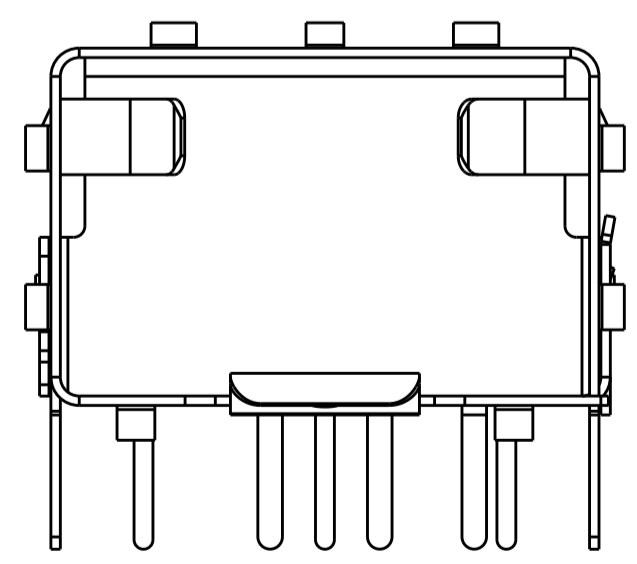


SECTION K-K  
SCALE 2:1

2227303-2 / 1-222303-2 REEL PACKAGING



2-2227303-2 AS SHOWN  
 UNMARKED DIMENSIONS SAME AS 2227303-1  
 SCALE 5:1



(A)  
APPLIED ALL PINS

2227303-7  
 UNMARKED DIMENSIONS SAME AS 2227303-1  
 SCALE 5:1

THIS DRAWING IS A CONTROLLED DOCUMENT. DIMENSIONING AND TOLERANCING PER ASME Y14.5M 2009		DWN C. VALENTINE 19OCT2012	TE Connectivity NAME SFP, 1X1 SINGLE PIECE CAGE, SOLDER PIN
DIMENSIONS: mm		CHK M. SCHMITT 19OCT2012	
TOLERANCES UNLESS OTHERWISE SPECIFIED:		APVD M. SCHMITT 19OCT2012	PRODUCT SPEC
0 PLC ±0.1		108-1950	APPLICATION SPEC
1 PLC ±0.1		114-13120	RESTRICTED TO
2 PLC ±0.1		114-13120	SCALE 6:1 SHEET 3 OF 3 REV C
3 PLC ±0.1		Customer Drawing	
4 PLC ±0.1			
ANGLES ±°			
FINISH			