

ADA-SSOP8-118

Introduction:

This adapter connect the pins of an SSOP8 / MSOP8 device to a 28 pin DIP equivalent.
Width of the components : 3,0 mm. It accept an SSOP8 / MSOP8 device and plug into a DIP socket.
Socket type "open".

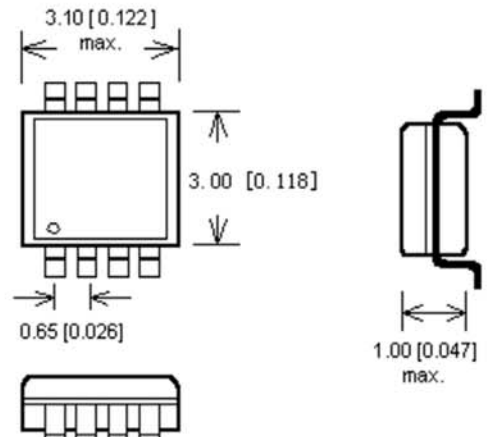
Connections of this adapter:

DIP28	SSOP8	SSOP8	DIP28
1			28
2			27
3			26
4			25
5			24
6			23
7			22
8			21
9			20
10			19
11	1	8	18
12	2	7	17
13	3	6	16
14	4	5	15

Package SSOP/MSOP:



Dimensions of the devices accepted:



Examples of supported devices:

ATMEL : 24Cxxx EEPROMs
MICROCHIP : 24Cxxx EEPROMs
DALLAS : DS1086LU

Equivalent adapters from other manufacturers:

WL-SSOP8-U011
WL-MSOP8-U1

Item includes:

Adapter.
User manual in English and French.