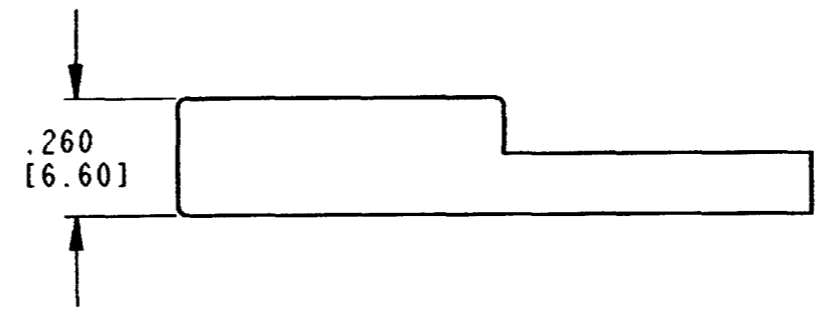
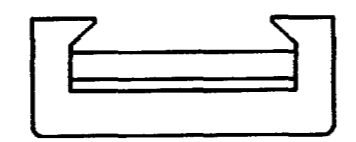
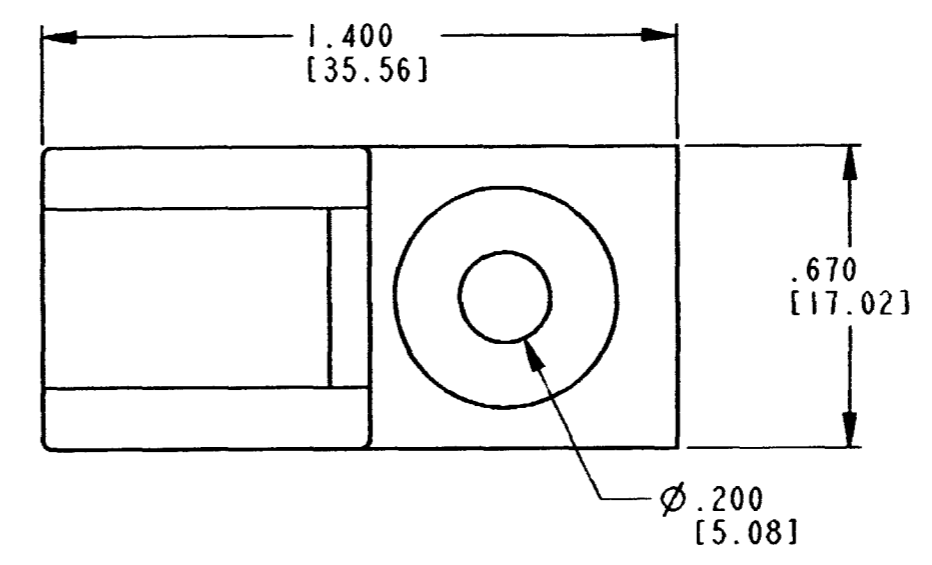
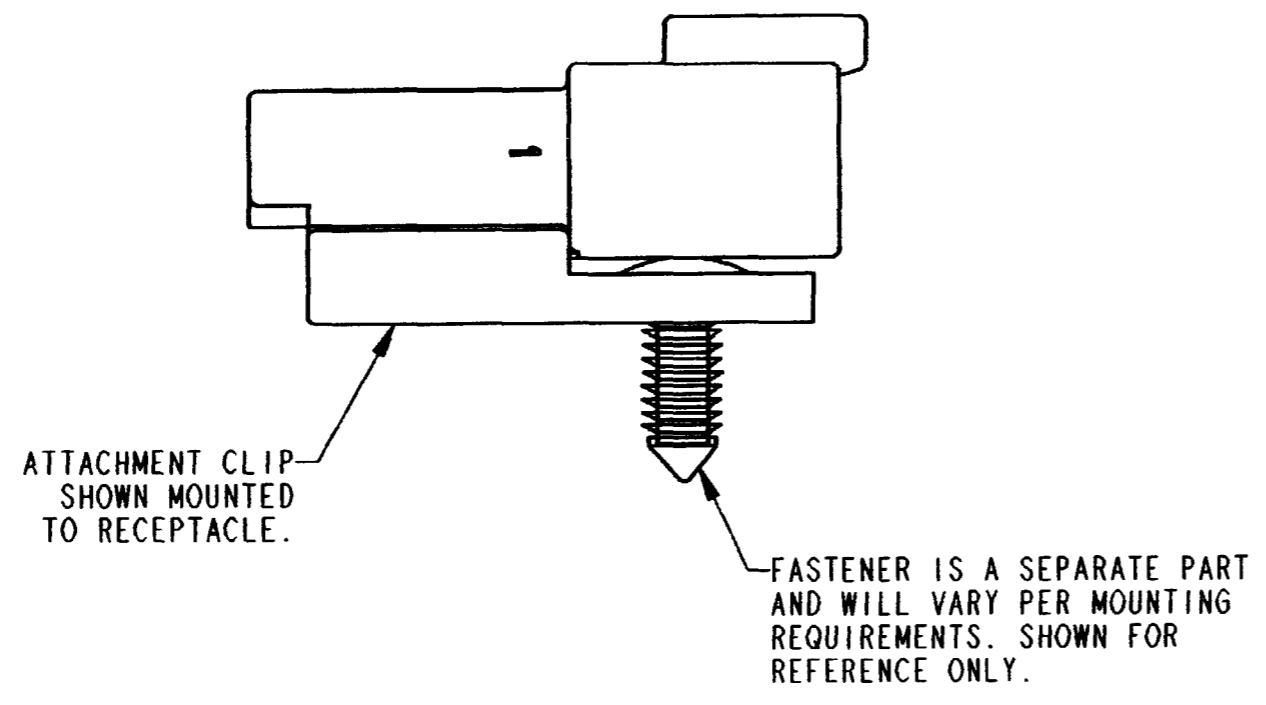


REV  
A 1011-026-0205

REVISIONS			
SYM	DESCRIPTION	DATE	APPROVED
NC	NEW RELEASE PER E.O. A13754	1/10/92	
A	REVISED PER E.O. P19489	3-16-07	RDR



- NOTES:
1. ALL DIMENSIONS ARE IN INCHES [MILLIMETERS].
  2. ALL DIMENSIONS ARE ± .025 [ .64] UNLESS OTHERWISE SPECIFIED.
  3. MATERIAL: PLASTIC; COLOR: GRAY.

SIGNATURE & DATE	
DR	A. MALAGON 27 FEB 07
CHK	R. B. [Signature] 3/16/07
PE	R. [Signature] 2/28/07
APPD	S. [Signature] 2/28/07
SCALE	NONE
WT	

ATTACHMENT CLIP  
COLOR: GRAY  
FOR  
DT RECEPTACLE  
SIZES 2,3,4,6,12

ENVELOPE

EP	MATL. CODE
<b>The Deutch Company</b> DEUTSCH I.P.D. 3850 INDUSTRIAL AVE. HEMET, CALIF. 92545	
<b>B</b>	<b>1011-026-0205</b>
DWG SIZE	SHEET   OF

# Mouser Electronics

Authorized Distributor

Click to View Pricing, Inventory, Delivery & Lifecycle Information:

[TE Connectivity:](#)

[1011-026-0205](#)