

WCC 26 - Cable clamp

3240255

<https://www.phoenixcontact.com/us/products/3240255>

Please be informed that the data shown in this PDF document is generated from our online catalog. Please find the complete data in the user documentation. Our general terms of use for downloads are valid.

Cable clamp, for DIN rails



Commercial data

Item number	3240255
Packing unit	1 pc
Minimum order quantity	25 pc
Sales key	BE74
Product key	BE7421
Catalog page	Page 583 (C-3-2019)
GTIN	4046356464475
Weight per piece (including packing)	44.3 g
Weight per piece (excluding packing)	44.3 g
Customs tariff number	73269098
Country of origin	CN

WCC 26 - Cable clamp

3240255

<https://www.phoenixcontact.com/us/products/3240255>



Technical data

Product properties

Product type	Cable feed-through
--------------	--------------------

Material specifications

Material	Steel
Coating	galvanized

Cable/line

External cable diameter	22 mm ... 26 mm
-------------------------	-----------------

Mounting

Mounting type	DIN rail mounting
---------------	-------------------

WCC 26 - Cable clamp

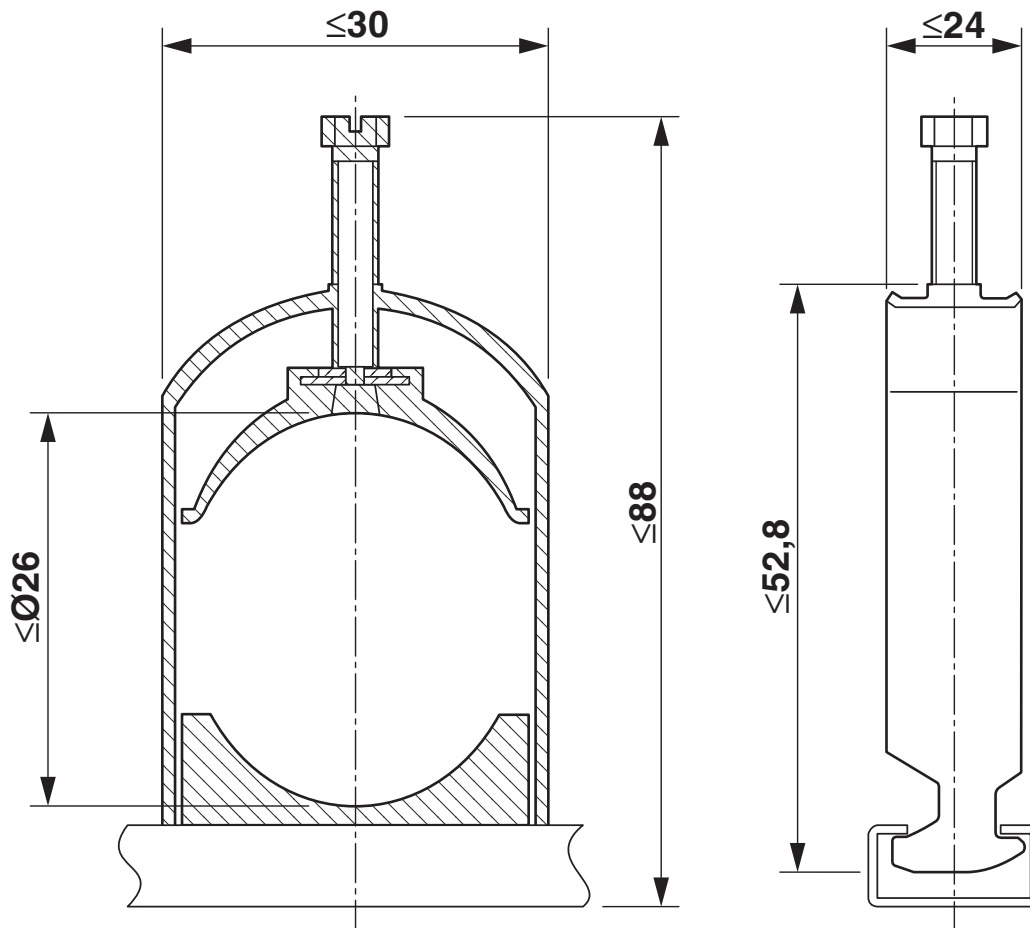
3240255

<https://www.phoenixcontact.com/us/products/3240255>



Drawings

Dimensional drawing



WCC 26 - Cable clamp



3240255

<https://www.phoenixcontact.com/us/products/3240255>

Classifications

ECLASS

ECLASS-11.0	23159090
ECLASS-13.0	23159090
ECLASS-12.0	23159090

ETIM

ETIM 9.0	EC000464
----------	----------

UNSPSC

UNSPSC 21.0	31162900
-------------	----------

WCC 26 - Cable clamp

3240255

<https://www.phoenixcontact.com/us/products/3240255>



Environmental product compliance

China RoHS	Environmentally friendly use period: unlimited = EFUP-e
	No hazardous substances above threshold values

WCC 26 - Cable clamp

3240255

<https://www.phoenixcontact.com/us/products/3240255>



Accessories

NS 30/15 PERF 2000MM VPE 10 - DIN rail perforated

3240262

<https://www.phoenixcontact.com/us/products/3240262>



DIN rail perforated, Pack of 10 (20 m), similar to EN 60715, material: Steel, galvanized, C profile

Phoenix Contact 2024 © - all rights reserved
<https://www.phoenixcontact.com>

Phoenix Contact USA
586 Fulling Mill Road
Middletown, PA 17057, United States
(+717) 944-1300
info@phoenixcon.com