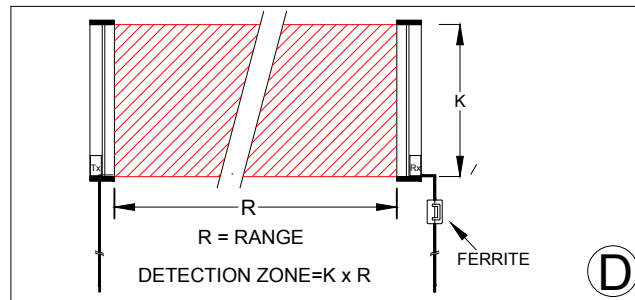
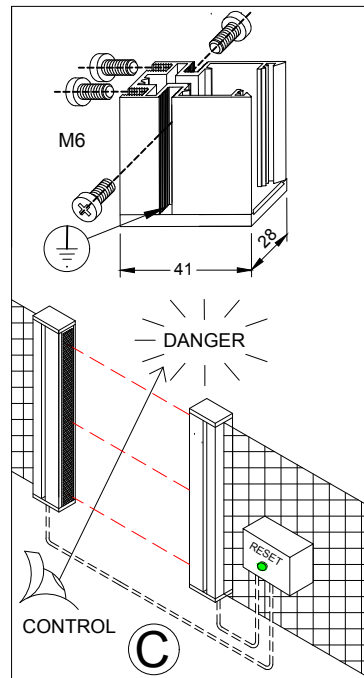
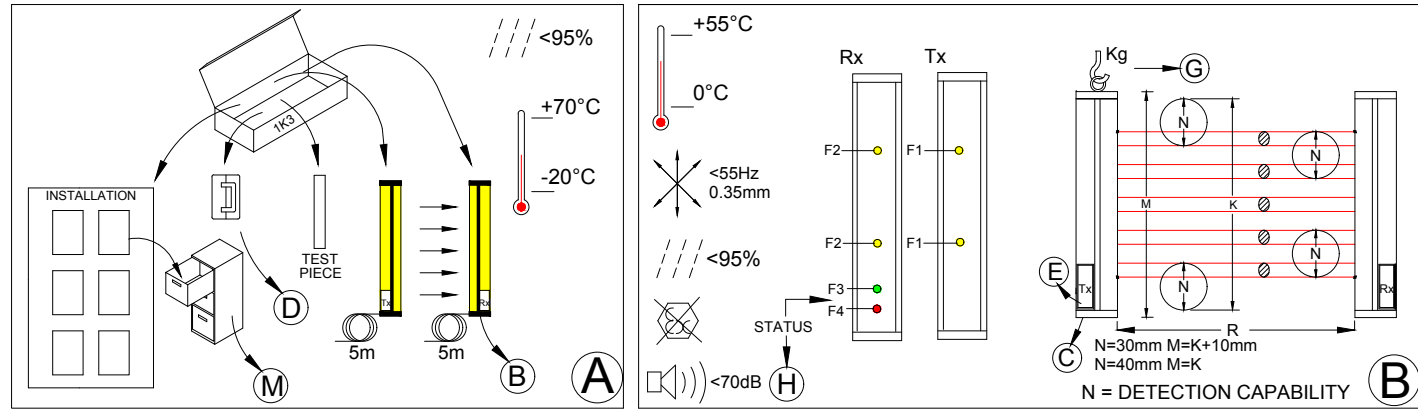


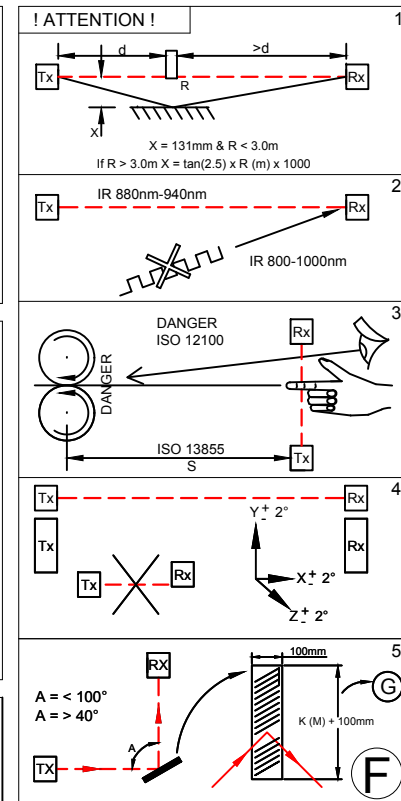
# INSTALLATION

SMARTSCAN 1K3 SERIES  
SAFETY LIGHT CURTAIN CD700/060420



MODEL	1K3 - ***
S.N.	*****
R	***
N	***
K	***
T	20ms
EN 61496	Type 3
EN 62061	SIL 2
EN ISO 13849	PL d
IP	65
YEAR	2019
24V DC	0.2A

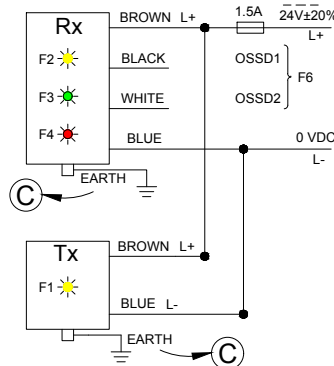
TX



MODEL	N=30mm	K(mm)	Kg.	MODEL	N=40mm	K(mm)	Kg.
1K3-098	180	0.3	0.3	1K3-099	190	0.3	0.3
1K3-100	330	0.5	0.5	1K3-101	340	0.5	0.5
1K3-102	480	0.7	0.7	1K3-103	490	0.7	0.7
1K3-104	630	0.8	0.8	1K3-105	640	0.8	0.8
1K3-106	780	0.9	0.9	1K3-107	790	0.9	0.9
1K3-108	930	1.1	1.1	1K3-109	940	1.1	1.1
1K3-110	1080	1.3	1.3	1K3-111	1090	1.3	1.3
1K3-112	1230	1.5	1.5	1K3-113	1240	1.5	1.5
1K3-114	1380	1.7	1.7	1K3-115	1390	1.7	1.7
1K3-116	1530	1.9	1.9	1K3-117	1540	1.9	1.9
1K3-118	1680	2.1	2.1	1K3-119	1690	2.1	2.1
1K3-120	1830	2.3	2.3	1K3-121	1840	2.3	2.3

MODEL	BEAMS	M(mm)	RANGE	Kg.
1K3-125	2	640	0.5 - 5m	0.7
1K3-126	3	990	0.5 - 5m	0.9
1K3-127	4	1290	0.5 - 5m	1.2
1K3-122	2	640	4 - 10m	0.7
1K3-123	3	990	4 - 10m	0.9
1K3-124	4	1290	4 - 10m	1.2

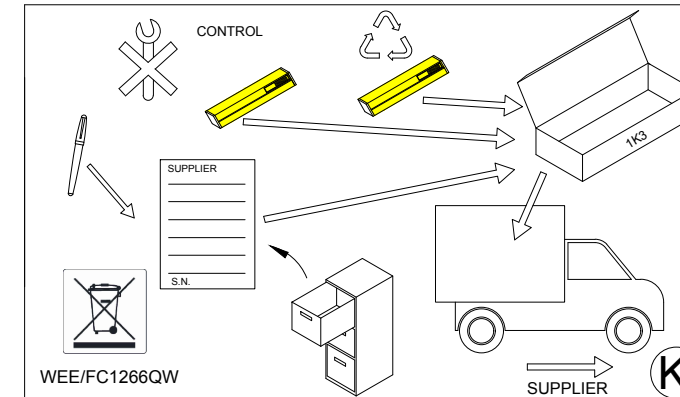
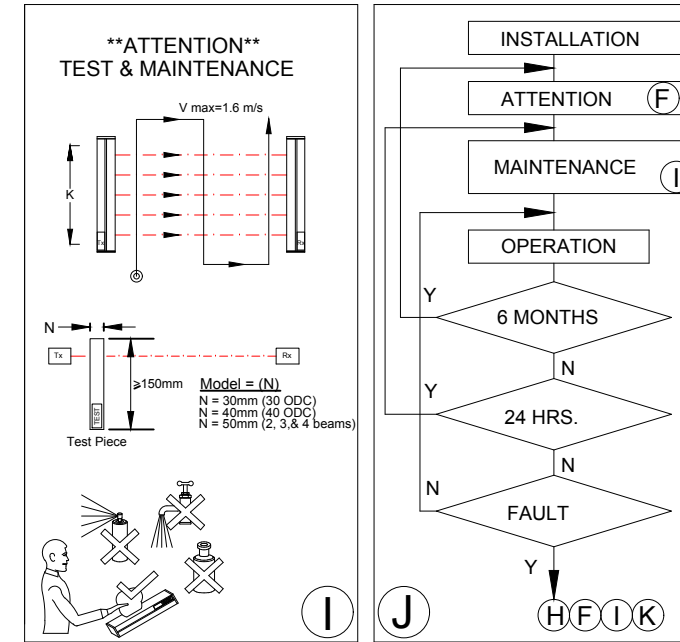
NOTE: PERIMETER GUARDS HAVE A 6 BEAM UNIT AT THE BEAM LOCATIONS



FEATURE ON	STATUS / DIAGNOSTIC
F1	YELLOW INDICATOR (Tx) NOT FLASHING - FAULT
F2	YELLOW INDICATOR (Rx) STEADY YELLOW - INFRARED BLOCKED
F2	YELLOW INDICATOR (Rx) UNEVEN FLASHING - FAULT
F3	GREEN INDICATOR (Rx) STEADY GREEN - OSSDs ON
F3	GREEN INDICATOR (Rx) FLASHING - OUTPUT FAULT
F4	RED INDICATOR (Rx) UNEVEN FLASHING - SYSTEM LOCK OUT FAULT
F4	RED INDICATOR (Rx) STEADY RED - OSSDs OFF
F6	L+ < 500mA (> 20mA) MAXIMUM AND MINIMUM SAFE OUT RATING

# INSTALLATION

SMARTSCAN 1K3 SERIES  
SAFETY LIGHT CURTAIN CD700/060420



ENGLISH	DANSK	DEUTSCHE	DUTCH	FRANCAIS	ITALIANO	ESPAÑOL	SVENSKA
ATTENTION	attention	achtung	attentie	attention	attenzione	atencion	observera
AUTHORISED PERSON	person med autoritet	autorisierte person	bevoegd persoon	personne autorisée	personale autorizzato	persona autorizada	behörig person
BEAM CODING	strålekodning	Strahlcodierung	straalcodering	codage de faisceau	codifica del raggio	codificación de haz	strålkodning
BEAMS	stråle	gitter	stralen	faisceaux	raggi	haces	strålar
BLACK	sort	schwarz	zwart	noir	nero	negro	svart
BLUE	blå	blau	blauw	bleu	blu	azul	blå
BROWN	brun	braun	bruin	marron	marrone	marron	brun
CONTROL	kontrol	auswertegeraet	besturing	contrôle	controllo	controlar	kontroll
DANGER	fare	gefahr	gevaar	danger	pericolo	peligro	fara
DETECTION CAPABILITY	Opløsning	abfragungsfahigkeit	oplossend vermogen	capacité de détection	risoluzione	capacidad de detección	upplösning
DETECTION ZONE	beskyttelses zone	abfragunszone	detectie zone	zone de detection	zono de rilevamento	zona de detección	skyddsfall
DIAGNOSTIC	diagnostice	diagnostisch	diagnostiek	diagnostico	diagnostico	diagnostico	diagnostisk
DISPOSAL	rådighed	entfernen	weg doen	disposition	smaltimento	disposicion	slängas
FAULT	fej	fehler	fout	défaut	guasto	incidente	fel
FEATURE	muligheder	eigenschaft	eigenschap	dispositif	caratteristica	característica	egenskaper
FLASHING	blinkende	blitzen, blinken	flitsen	clignotant	lampeggiante	parpadeando	blinkar
GREEN	grøn	grun	groen	vert	verde	verde	grön
INDICATOR	indikation	anzeige	indicator	indicateur	indicatore	indicador	indikering
INSTALLATION	installation	installation	installatie	installation	installazione	instalacion	installation
INSTRUCTIONS	instruktioner	instruktionen	instrucție	instructions	istruzioni	instrucciones	instruktion
LIGHT CURTAIN	Lysgitter	lichtgitter	lichtscherm	barrière	barriera ottica	corrina de seguridad	ljus barrier
LOCKOUT	fejlmode	aussperren	systeem blokkering	blocage	bloccaggio	cierre	felsäker låge
MAINTENANCE	vedligeholde	wartung	onderhoud	entretien	manutenzione	mantenimiento	underhåll
MAXIMUM	maximum	Maximum	maximum	maximum	massimo	máximo	max
MINIMUM	minimum	minimum	minimum	le minimum	minimo	mínimo	minimum
MODEL	model	typ	model	modèle	modello	modelo	modell
MONTHS	måned	monate	maanden	mois	mesi	meses	månader
NOT FLASHING	blinker ikke	blinkt nicht	het opvlammen niet	pas clignotant	non lampeggiante	no parpadea	blinkar inte
OFF	Slukke	aus	uit	non attivo	non attivo	apagado	från
ON	Tænde	ein	aan	on	attivo	en	till
OPERATION	operation	in betrieb	in bedrijf	opération	funzionamento	operacion	drift
OUT	ud	aus	uit	hors / dehors / extérieur	uscita	fuera	ut
PERIMETER	omkreds	umfang	perimeter	perimètre	perimetro	perimetro	omkrets
RANGE	område	Reichweite	waaier	la gamme	gamma	oscilar	räckvidd
RED	rød	rot	rood	rouge	rosso	rojo	röd
REPAIR	reparere	reparatur	herstellen	réparation	riparazione	reparar	reparation
RESET	Nulstil	zurücksetzen	reset	réinitialiser	Ripristina	Reiniciar	återställa
SAFETY	sikkerhed	sicherheit	veiligheid	securité	sicurezza	seguridad	säkerhet
STATUS	status	status	status	statut	stato	stato	stato
STEADY	rolig	zuverlässig	gelijkmatic	fixe	stabile	constante	stabil
SUPPLIER	leverandør	lieferant	leverancier	fournisseur	fornitore	proveedor	leverantör
SYSTEM	system	system	systeem	système	sistema	sistema	systemet
TEST PIECE	prøvestykke	Teststück	test stuk	pièce d'essai	pezzo di prova	pieza de prueba	testbit
UNEVEN FLASHING	ujævnt blinkende	ungleichmäßiges Blinken	het ongelijke opvlammen	clignotement inégal	lampeggiamento irregolare	parpadeo desigual	ojäm blinkande
WHITE	hvid	weiss	wit	blanc	bianco	bianco	vitt
YEAR	år	Jahr	jaar	année	anno	año	år
YELLOW	gul	gelb	geel	jaune	giallo	amarillo	gul

L

M

CD707L/060420

### EC Declaration of Conformity

**Product:** Smartscan 1K3 Safety Light Curtain series.

**Manufacturer:** Smartscan Limited, 1Pywell Road, Willowbrook Industrial Estate, Corby, Northamptonshire, NN17 5XJ, ENGLAND

Declares that the safety component(s) described in serial numbers between 330-000 to 399-999, fulfils the following safety function: Electro-sensitive protective equipment – Active Opto-electronic Protective Device (safety light curtain).

**Conforms to the following Directives:**

Machinery Directive	2006/42/EC
Electromagnetic Conformity Directive	2014/30/EU
Low Voltage Directive	2014/35/EU

**Complies with the relevant requirements of the following Standards:**

EN IEC 61496-1, IEC 61496-2	Type 3
EN IEC 62061	SIL 2
EN ISO 13849-1	PL d
EN ISO 13849-1	Category 3

**Uses the following standards:** ISO 12100, EN 60204-1

Complies with the examples to which the EC type examination certificate below relates, and is in conformity with the protection requirements of Council Directive 2014/30/EU, as amended, on the approximation of the laws of the Member States relating to electromagnetic compatibility.

The component is of a type listed in Annex IV of the Machinery Directive. Examples have been submitted for type examination by the approved Notified Body as below.

Safenet Limited Notified Body Number 1674.

Address: Safenet Limited, Denford Garage, Denford, Kettering, Northamptonshire, NN14 4EQ, U.K.

Certificate No. TBD

Signed: *[Signature]* Date: 06/04/2020

Name: HAROON R KHAWAJA  
Title: Technical Director