

Hour meters / timers, electromechanical

Timers with DIN dimensions

Small format (AC+DC)

HK 17



The hour meters HK 17 feature a very high shock resistance.

These panel-mount counters are available in many panel sizes. They can be used in many different fields of application.

These non-resettable counters are extremely tamper-proof.

Characteristics

- 7 or 8-digit hour meter
- Without reset
- High shock resistance
- Small dimensions
- Magnified large figures
- Protection IP65 on the front side
- UL-approved

Benefits

- Many different front panel sizes and cut-outs
- Data retention in case of power failure
- Long service life

Applications

General time measurement, maintenance intervals for medical equipment (respiration units, oxygen, dialysis), small appliances, UV lamps, display panels in vehicles

Type code

HK17 . XX1 . XX . 56¹⁾

a Front bezel

- 0 = without front bezel (through housing)
- 2 = small front bezel with clip
- 4 = front bezel with holes at the side

b Type of housing

- 5 = housing black with welded viewing window

c Colour

- 1 = black

d Electrical connection

- 11 = flat pin 0.8 x 6.3 mm [0.031 x 0.25"] (optional)
- 39 = screw terminal (standard) with flat pin 0.8 x 6.3 mm [0.031 x 0.25"]

Suitable gaskets as well as further accessories can be found in the accessories section or in the accessories area of our website at: www.kuebler.com/accessories.

Technical data

Electrical connection	flat pins 0.8 x 6.3 mm [0.031 x 0.25"] with screw terminals (max. tightening torque 0.8 Nm) or flat pins 0.8 x 6.3 mm [0.031 x 0.25"]																
Power consumption	<table border="0"> <tr> <td>10 ... 30 V DC</td> <td>approx. 500 mW</td> </tr> <tr> <td>36 ... 80 V DC</td> <td>approx. 900 mW</td> </tr> <tr> <td>100 ... 130 V DC</td> <td>approx. 750 mW</td> </tr> <tr> <td>20 ... 30 V AC, 50 Hz</td> <td>approx. 0.3 VA</td> </tr> <tr> <td>42 ... 48 V AC, 50 Hz</td> <td>approx. 0.25 VA</td> </tr> <tr> <td>100 ... 130 V AC, 50 Hz</td> <td>approx. 0.6 VA</td> </tr> <tr> <td>187 ... 264 V AC, 50 Hz</td> <td>approx. 1.2 VA</td> </tr> <tr> <td>360 ... 440 V AC, 50 Hz</td> <td>approx. 1.65 VA</td> </tr> </table>	10 ... 30 V DC	approx. 500 mW	36 ... 80 V DC	approx. 900 mW	100 ... 130 V DC	approx. 750 mW	20 ... 30 V AC, 50 Hz	approx. 0.3 VA	42 ... 48 V AC, 50 Hz	approx. 0.25 VA	100 ... 130 V AC, 50 Hz	approx. 0.6 VA	187 ... 264 V AC, 50 Hz	approx. 1.2 VA	360 ... 440 V AC, 50 Hz	approx. 1.65 VA
10 ... 30 V DC	approx. 500 mW																
36 ... 80 V DC	approx. 900 mW																
100 ... 130 V DC	approx. 750 mW																
20 ... 30 V AC, 50 Hz	approx. 0.3 VA																
42 ... 48 V AC, 50 Hz	approx. 0.25 VA																
100 ... 130 V AC, 50 Hz	approx. 0.6 VA																
187 ... 264 V AC, 50 Hz	approx. 1.2 VA																
360 ... 440 V AC, 50 Hz	approx. 1.65 VA																
Rated voltages	<table border="0"> <tr> <td>AC (50 or 60 Hz)</td> <td>20 ... 30 V, 42 ... 48 V, 100 ... 130 V, 187 ... 264 V, 360 ... 440 V</td> </tr> <tr> <td>DC</td> <td>10 ... 30 V, 36 ... 80 V, 100 ... 130 V</td> </tr> </table>	AC (50 or 60 Hz)	20 ... 30 V, 42 ... 48 V, 100 ... 130 V, 187 ... 264 V, 360 ... 440 V	DC	10 ... 30 V, 36 ... 80 V, 100 ... 130 V												
AC (50 or 60 Hz)	20 ... 30 V, 42 ... 48 V, 100 ... 130 V, 187 ... 264 V, 360 ... 440 V																
DC	10 ... 30 V, 36 ... 80 V, 100 ... 130 V																
Number of digits	<table border="0"> <tr> <td>7 at AC</td> <td>99999.99 h</td> </tr> <tr> <td>8 at DC</td> <td>999999.99 h</td> </tr> </table>	7 at AC	99999.99 h	8 at DC	999999.99 h												
7 at AC	99999.99 h																
8 at DC	999999.99 h																
Accuracy	<table border="0"> <tr> <td>AC</td> <td>supply frequency + 30 ms</td> </tr> <tr> <td>DC</td> <td><0.003 % (at 24 h)</td> </tr> </table>	AC	supply frequency + 30 ms	DC	<0.003 % (at 24 h)												
AC	supply frequency + 30 ms																
DC	<0.003 % (at 24 h)																

Height of figures	3.8 x 1.7 mm [0.15 x 0.067"] optical						
Colour of figures	white and red on black						
Operating temperature	-15°C ... +50°C [+5°F ... +122°F] (non-condensing)						
Storage temperature	-40°C ... +85°C [-40°F ... +185°F]						
Mounting position	any						
Protection	IP65 (front side)						
EMC	<table border="0"> <tr> <td>Emitted interference</td> <td>EN 55011 class B</td> </tr> <tr> <td>Immunity to interference</td> <td>EN 61000-6-2</td> </tr> </table>	Emitted interference	EN 55011 class B	Immunity to interference	EN 61000-6-2		
Emitted interference	EN 55011 class B						
Immunity to interference	EN 61000-6-2						
Device safety	<table border="0"> <tr> <td>Designed to</td> <td>EN 61010 part 1</td> </tr> <tr> <td>Protection class</td> <td>2</td> </tr> <tr> <td>Application area</td> <td>Pollution level 2</td> </tr> </table>	Designed to	EN 61010 part 1	Protection class	2	Application area	Pollution level 2
Designed to	EN 61010 part 1						
Protection class	2						
Application area	Pollution level 2						
UL approval	E128604 ²⁾						
Housing	plastic PC (Polycarbonate) types with protection IP65 are sealed						
Weight	approx. 40 g [1.41 oz]						

Options

Counter with flat pin 0.8 x 6.3 mm [0.031 x 0.25"]	Art.-No. 3.138.X51.XXX
--	------------------------

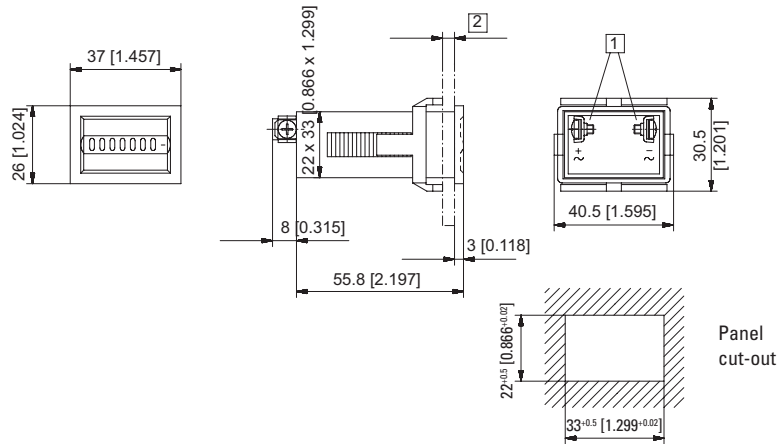
1) 56 for front bezel 36 x 24 mm [1.42 x 0.94"]

2) The version 360 ... 440 V AC is not UL listed

Hour meters / timers, electromechanical

Timers with DIN dimensions **Small format (AC+DC)** **HK 17**

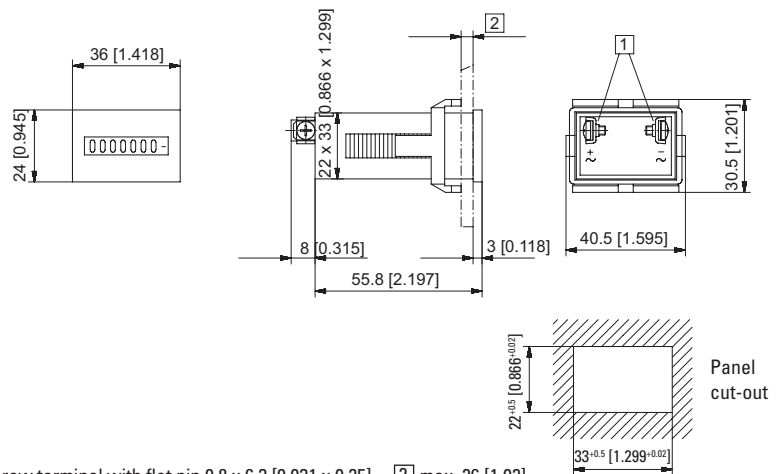
Panel mount with mounting clip
Type HK 17.251.39



1) Screw terminal with flat pin 0.8 x 6.3 [0.031 x 0.25] 2) max. 26 [1.02]

Type	Display	Voltage	Art.-No.						
			10 ... 30 V	20 ... 30 V	36 ... 80 V	42 ... 48 V	100 ... 130 V	187 ... 264 V	360 ... 440 V
HK 17.251.39	7 digits	AC (50 Hz)		3.130.251.071		3.130.251.072	3.130.251.074	3.130.251.075 ¹⁾	3.130.251.079
		AC (60 Hz)		3.130.251.081		3.130.251.082	3.130.251.084	3.130.251.085	3.130.251.089
		DC	3.130.251.351 ¹⁾		3.130.251.353		3.130.251.381		

Panel mount with mounting clips
Type HK 17.251.39.56



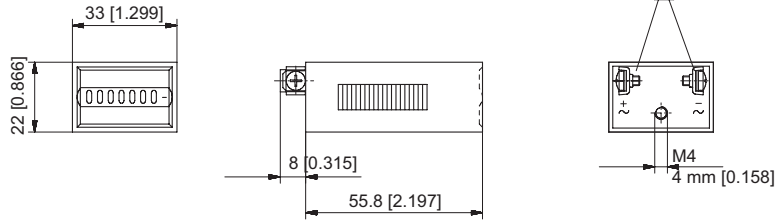
1) Screw terminal with flat pin 0.8 x 6.3 [0.031 x 0.25] 2) max. 26 [1.02]

Type	Display	Voltage	Art.-No.						
			10 ... 30 V	20 ... 30 V	36 ... 80 V	42 ... 48 V	100 ... 130 V	187 ... 264 V	360 ... 440 V
HK 17.251.39.56	7 digits	AC (50 Hz)		3.130.251.071.056		3.130.251.072.056	3.130.251.074.056	3.130.251.075.056 ¹⁾	3.130.251.079.056
		AC (60 Hz)		3.130.251.081.056		3.130.251.082.056	3.130.251.084.056	3.130.251.085.056	3.130.251.089.056
		DC	3.130.251.351.056 ¹⁾		3.130.251.353.056		3.130.251.381.056		

Hour meters / timers, electromechanical

Timers with DIN dimensions **Small format (AC+DC)** **HK 17**

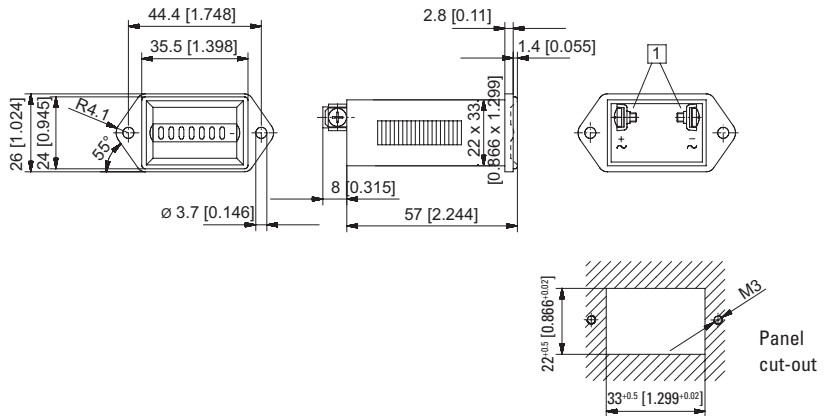
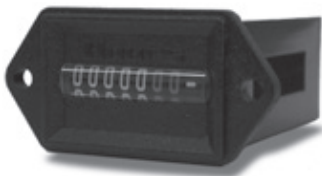
Base mount with central fixing on rear
 Type HK 17.051.39



1) Screw terminal with flat pin 0.8 x 6.3 [0.031 x 0.25]

Type	Display	Voltage	Art.-No.						
			10 ... 30 V	20 ... 30 V	36 ... 80 V	42 ... 48 V	100 ... 130 V	187 ... 264 V	360 ... 440 V
HK 17.051.39	7 digits	AC (50 Hz)		3.130.051.071		3.130.051.072	3.130.051.074	3.130.051.075	3.130.051.079
		AC (60 Hz)		3.130.051.081		3.130.051.082	3.130.051.084	3.130.051.085	3.130.051.089
		DC	3.130.051.351		3.130.051.353		3.130.051.381		

Panel mount with 2 holes at the side
 Type HK 17.451.39



1) Screw terminal with flat pin 0.8 x 6.3 [0.031 x 0.25]

Type	Display	Voltage	Art.-No.						
			10 ... 30 V	20 ... 30 V	36 ... 80 V	42 ... 48 V	100 ... 130 V	187 ... 264 V	360 ... 440 V
HK 17.451.39	7 digits	AC (50 Hz)		3.130.451.071		3.130.451.072	3.130.451.074	3.130.451.075	3.130.451.079
		AC (60 Hz)		3.130.451.081		3.130.451.082	3.130.451.084	3.130.451.085	3.130.451.089
		DC	3.130.451.351 ¹⁾		3.130.451.353		3.130.451.381		