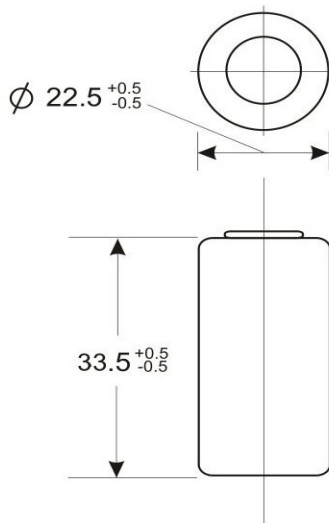


QBAT INDUSTRIAL D-4/5SC1500HP

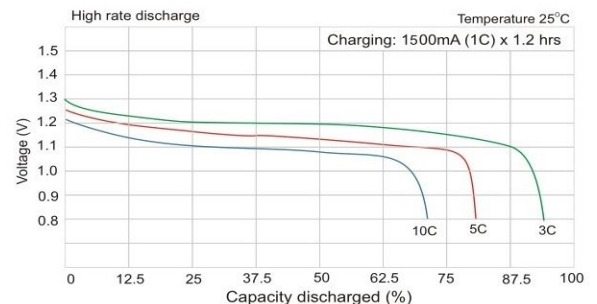
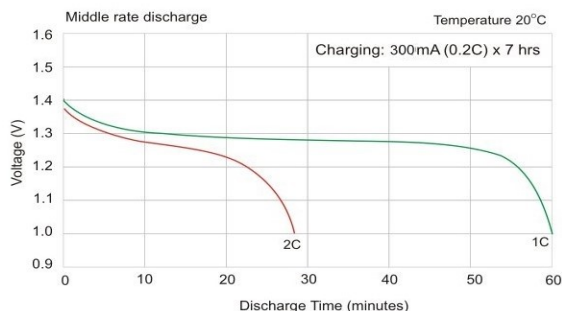
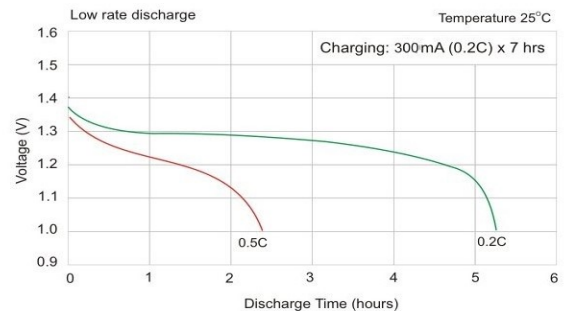
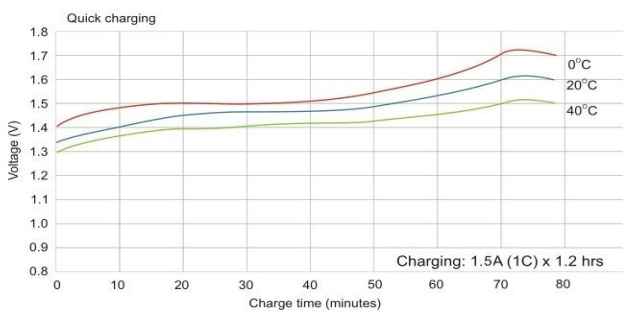
NiCd Cylindrical Battery

Size: 4/5SC

Typical Characteristics



QBAT INDUSTRIAL D-4/5SC1500HP			
Specifications			
Nominal Voltage (V)		1.2V	
Capacity	Discharge rate	C/5	1C
	Nominal (mAh)	1450	1280
	Typical (mAh)	1500	1320
Dimension	Diameter (mm)	$22.5^{+0.5}_{-0.5}$	
	Height (mm)	$33.5^{+0.5}_{-0.5}$	
Charging	Standard	150mA x 15 hrs	
	Quick	1500mA x 1.2 hrs $T_{max}=45^{\circ}\text{C}$ $-\Delta V = 5\sim 8\text{mV}$	
Operating Temperature ($^{\circ}\text{C}$)	Standard Charging	0 ~ 45 $^{\circ}\text{C}$	
	Quick Charging	10 ~ 40 $^{\circ}\text{C}$	
	Discharging	-20 ~ 60 $^{\circ}\text{C}$	
	Storage	-20 ~ 35 $^{\circ}\text{C}$	
Internal Resistance	$\leq 13\text{m Ohm}$ (upon 50% discharge)		
Weight	Approx.44g		
Cuff-off Voltage (V)	1.00		



The data shown is correct at a temperature of 20 \pm 5 $^{\circ}\text{C}$ Shutdown at $-\Delta V = 15\text{mV}$, after reaching 120% of the rated capacity or at a temperature above 55 $^{\circ}\text{C}$