


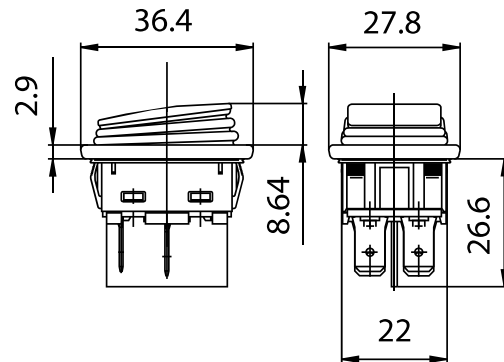
PRODUCT NUMBER 1935.3114

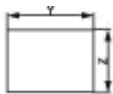


<b>Product number</b>	<b>1935.3114</b>
Actuator color / printing	
Product family	Rocker switches
Actuation type	direct
Weight	13.000 g
Switch on continuous current (capacitive)	5 A
Inrush current (capacitive)	120 A
ROHS conform	yes
Switching function	ON / OFF switch (DPST)
Material fixed contact	Ag
Number of poles	2 - pole
connections	Quick-connect terminal, 6.3 x 0.8
Mechanical life endurance	5E4
Rating IEC	20 (4) A 250 V AC 1E4 10 (8) A 250 V AC 5E4
Rating North America	16 A 125 V AC 3/4 HP 16 A 250 V AC 1 HP
Contact resistance (new condition)	< 100 (1 A 12 V DC) mOhm

Insulation resistance (new condition)	> 100 (500 V DC) MOhm	
Voltage strength at 250 V	function insulation / basic insulation	1 500 V
	reinforced insulation	3 000 V
	small contact distance	500 V
Proof tracking	250 PTI	
Insulation spacing	acc. to EN 61058 for reinforced or double insulation	
Protection type	Connection	IP 40
	Actuator	IP 65
Ambient temperature	-30 °C ... +105 °C	
Ambient temperature	-30 °C ... +55 °C	
Storage temperature	-40 °C ... +80 °C	
Flammability	UL 94 V-2	
Glow wire test temperature	850 °C	
Actuators and additional actuators	hard component: PC, transparent orange, identification black soft component: TPU, black	
Housing description	housing: PA, black base plate: PA, black	
Connection surface	bearing connection	silver plated
	external connection	silver plated
Contact material	Ag	
Contact distance	≥ 3 mm	
Lighting	function illumination: glow lamp, 250 V, red	
Rating Code UL	R 188	
Contact type	lifting contact	
Plug force of the terminals	≤ 80 N	
Operating force	3 - 8 N	
Approval marks	cCSAus / ENEC 05	

Suitable for appliances of protection class	II
Additional labeling	year/week of manuf. acc. to DIN EN 60062
Degree of pollution	3
Stock version	●



	X	Y	Z
	0.75 ... 1.25	30 -0.1	22 +0.2
	1.25 ... 3	30.2 -0.1	22 +0.2

X = wall thickness

Technical changes reserved. Dimensions are not binding.  
Detailed specifications available on request.

Marquardt GmbH · Schloss-Straße 16 · 78604 Rietheim-Weilheim · Germany  
Phone: +49 (0) 7424 / 99-0 · Fax: +49 (0) 7424 / 99-2399 · [www.marquardt.com](http://www.marquardt.com) · [marquardt@marquardt.de](mailto:marquardt@marquardt.de)

