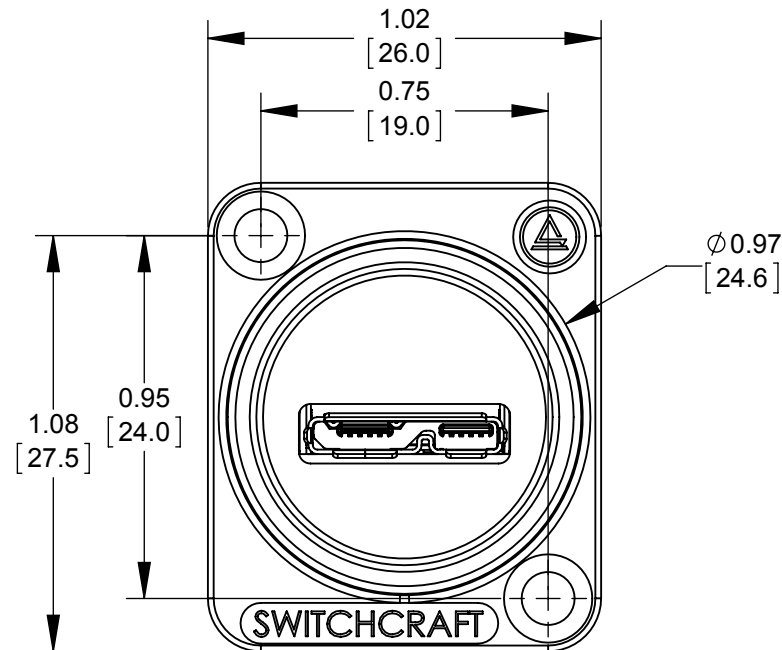
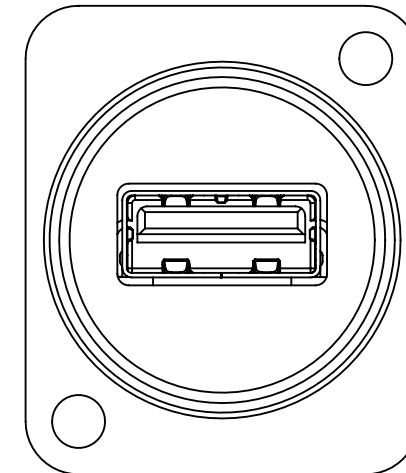
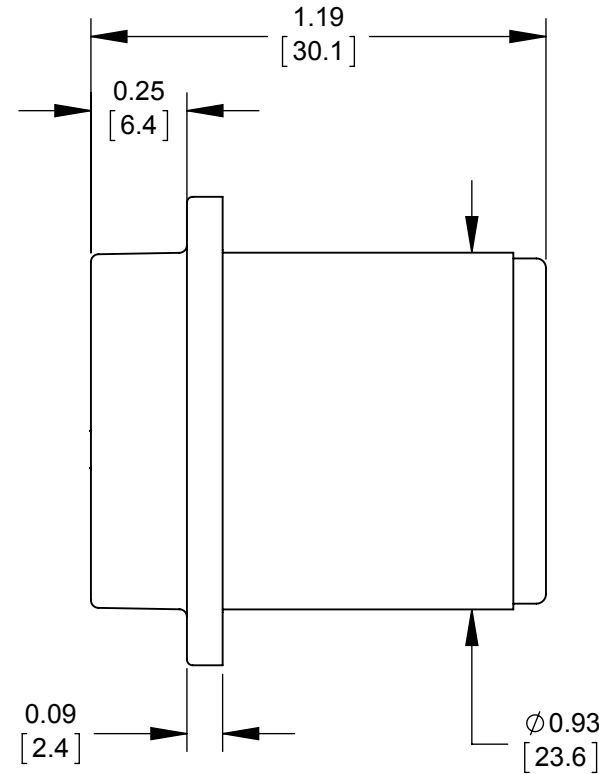


RECOMMENDED
PANEL CUT-OUT



FRONT



BACK

SPECIFICATIONS

1. FRONT CONNECTOR

- **TYPE:** MICRO USB 3.0 AB
- **MECHANICAL CHARACTERISTICS:**
 - INSERTION FORCE: 7.8 lb
 - WITHDRAWAL FORCE 1.76 lb
- **CONTACT PLATING:** GOLD

2. BACK CONNECTOR

- **TYPE:** USB 3.0A
- **MECHANICAL CHARACTERISTICS:**
 - INSERTION FORCE: 7.8 lb
 - WITHDRAWAL FORCE 1.8 lb
- **CONTACT PLATING:** GOLD

3. OVERALL:

- **MECHANICAL:**
 - **VIBRATION:** MIL-STD 202G METHOD 201A
- **ENVIRONMENTAL:**
 - **THERMAL SHOCK:** MIL-STD-202G METHOD 107G CONDITION A
 - **OPERATING TEMP:** 0 TO 65°C
- **HOUSING MATERIAL:** THERMOPLASTIC, BLACK.

CUSTOMER DRAWING

NOTES:
1- ALL PARTS ARE RoHS COMPLIANT.

| REV | ECO NUMBER | DATE | BY | APVD |
|-----------|-------------|---------|----|------|
| 0A | PRELIMINARY | 4/11/16 | NS | SRC |
| REVISIONS | | | | |

UNLESS OTHERWISE SPECIFIED

- ALL DIMENSIONS IN INCHES [mm]
 - TWO PLACE DECIMALS ±0.02 [0.5]
 - THREE PLACE DECIMALS ±0.005 [0.13]

DO NOT SCALE DRAWING

| | | | | | | | | | | |
|--|---------|--------|-----------|----------|------------|--|--|---------------------|--|--------|
| THIS DRAWING DESCRIBES A DESIGN CONSIDERED PROPRIETARY IN NATURE, DEVELOPED AND MANUFACTURED BY SWITCHCRAFT INC. AND IS RELEASED ON A CONFIDENTIAL BASIS FOR IDENTIFICATION PURPOSES ONLY. | | | | | | | | | | |
| SIZE * | WIDTH * | MULT * | LBS/M * | TEMPER * | | | | | | |
| FINISH * | | | | | MATERIAL * | | | | | |
| SPEC No. * | | | | | SPEC No. * | | | | | |
| FIRST USED ON * | | | SCALE 1:1 | | | | | | | |
| DATE DRAWN | BY | CHKD | APVD | | | | | | | |
| 4/11/16 | NS | NS | SRC | | | | | | | |
| | | | 4/11/16 | 4/11/16 | | | | | | |
| NAME EH SERIES MICRO USB 3.0 TYPE AB TO USB 3.0 TYPE A | | | | | | | | PART No. EHUSB3CABA | | REV 0A |

SolidWorks CAD File

Mouser Electronics

Authorized Distributor

Click to View Pricing, Inventory, Delivery & Lifecycle Information:

[Switchcraft:](#)

[EHUSB3CABA](#) [EHUSB3CABAPKG](#)