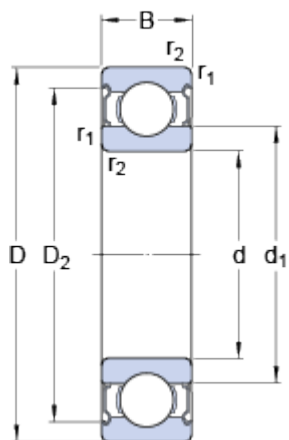


# 6307-2Z

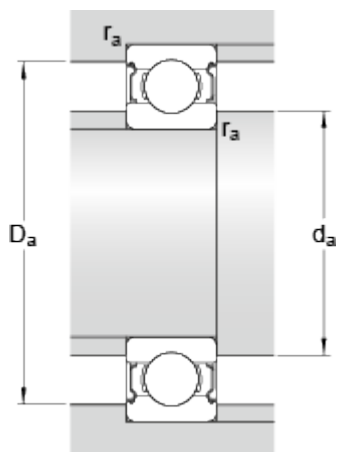
SKF Explorer

## Dimensions



$d$		35	mm
$D$		80	mm
$B$		21	mm
$d_1$	≈	49.56	mm
$D_2$	≈	69.2	mm
$r_{1,2}$	min.	1.5	mm

## Abutment dimensions



$d_a$	min.	44	mm
$d_a$	max.	49.5	mm
$D_a$	max.	71	mm
$r_a$	max.	1.5	mm

## Calculation data

Basic dynamic load rating	$C$	35.1	kN
Basic static load rating	$C_0$	19	kN
Fatigue load limit	$P_u$	0.815	kN
Reference speed		19000	r/min
Limiting speed		9500	r/min
Calculation factor	$k_r$	0.03	
Calculation factor	$f_0$	13.1	

## Mass

Mass bearing		0.475	kg
--------------	--	-------	----