

注記 NOTES

1. 使用材料 MATERIAL

- ハウジング : 液晶ポリマー ガラス充填, UL94V-0(ベージュ)
HOUSING LIQUID CRYSTAL POLYMER GLASS FILLED, UL94V-0(BEIGE)
- アクチュエータ : ポリアミド ガラス充填, UL94V-0(黒)
ACTUATOR POLYAMIDE GLASS FILLED, UL94V-0(BLACK)
- ターミナル : リン青銅(t=0.15)
TERMINAL PHOSPHOR BRONZE
- 金具 : リン青銅(t=0.15)
FITTING NAIL PHOSPHOR BRONZE

2. めっき仕様 PLATING

- ターミナル TERMINAL
- コンタクト部: 部分金めっき (0.05µm以上)
- テール部: 部分金めっき
- 下地: ニッケルめっき (1.0µm以上)

CONTACT AREA : SEPARATED GOLD PLATING (0.05 MICROMETER MIN.)
SOLDER TAIL AREA : SEPARATED GOLD PLATING
UNDERPLATE : NICKEL OVERALL (1.0 MICROMETER MIN.)

金具 FITTING NAIL

- めっき (1.0µm以上)
- 下地: ニッケルめっき (1.0µm以上)
- TIN PLATING (1.0 MICROMETER MIN.)
- UNDER PLATING : NICKEL PLATING (1.0 MICROMETER MIN.)

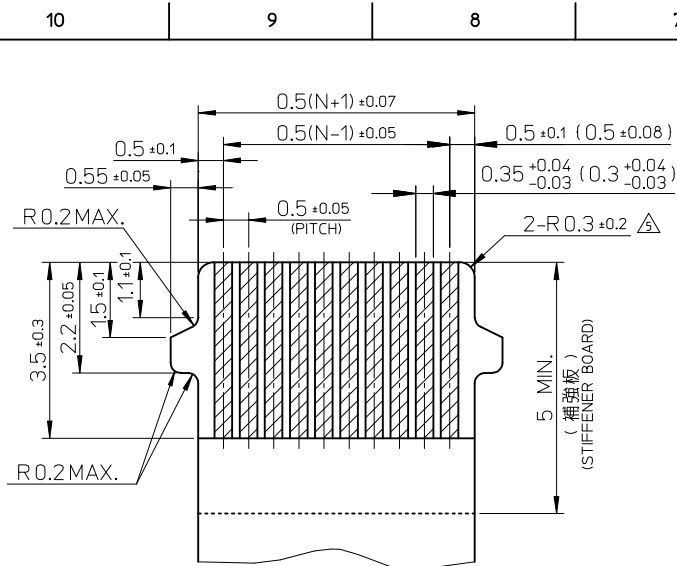
3. エンボステープ梱包時は、アクチュエータが閉じた状態とする。
IN THE PACKAGE, ACTUATOR OF PART SHOULD BE CLOSED.

△ パターン剥離止め用金具
FITTING NAIL FOR PREVENTION OF PEELING OF P.C.B. PATTERN.

△ R0.3は、FPC導体部にかからないこと。
R0.3 MUST NOT BE OVERLAPPED TO PATTERN OF FPC.

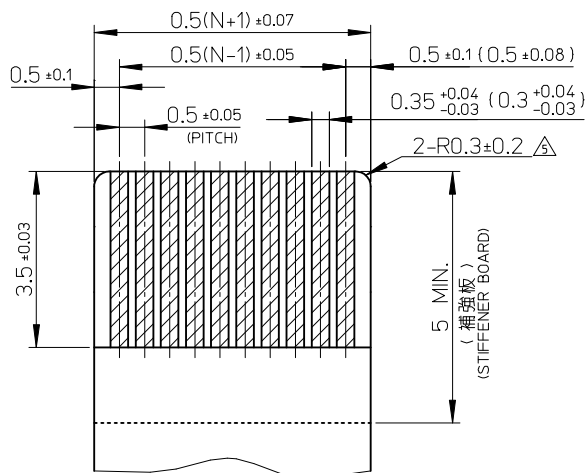
- 6. N: 極数 N: CIRCUIT.
- 7. ELV及びRoHS適合品
ELV AND RoHS COMPLIANT
- 8. テールと金具を併せた平坦度は0.1mm以下とする。
TAILS AND NAILS COPLANALITY TO BE 0.1mm MAX.

REVISED	EC NO: J2015-1582	2015/05/28	GENERAL TOLERANCES (UNLESS SPECIFIED)		DIMENSION STYLE		SCALE	DESIGN UNITS	THIRD ANGLE PROJECTION
	DR: MNKONDO	2015/05/28	0.25 UNDER	±0.03	MM ONLY		8:1	METRIC	
	CHK: KTAKAHASHI	2015/05/29	0.25 OVER 0.5 UNDER	±0.05	DRAWN BY	DATE	TITLE	0.5 FPC CONN ZIF E/O 2 CONTACTS TYPE HSG ASSY (H=1.9)	
	APP: KMORI KAWA	2015/06/26	0.5 OVER 1.0 UNDER	±0.1	JASANUMA	2014/02/25	molex		
		1.0 OVER 10 UNDER	±0.2	CHECKED BY	DATE	DOCUMENT NO.			SHEET NO.
		10 OVER 30 UNDER	±0.25	KTAKAHASHI	2014/07/28	SD-505110-001		1 OF 3	
		30 OVER	±0.3	APPROVED BY	DATE	SEE SHEET 3			
		ANGULAR	±1 °	YNOGAWA	2014/11/10	THIS DRAWING CONTAINS INFORMATION THAT IS PROPRIETARY TO MOLEX INCORPORATED AND SHOULD NOT BE USED WITHOUT WRITTEN PERMISSION			
				DRAFT WHERE APPLICABLE MUST REMAIN WITHIN DIMENSIONS					



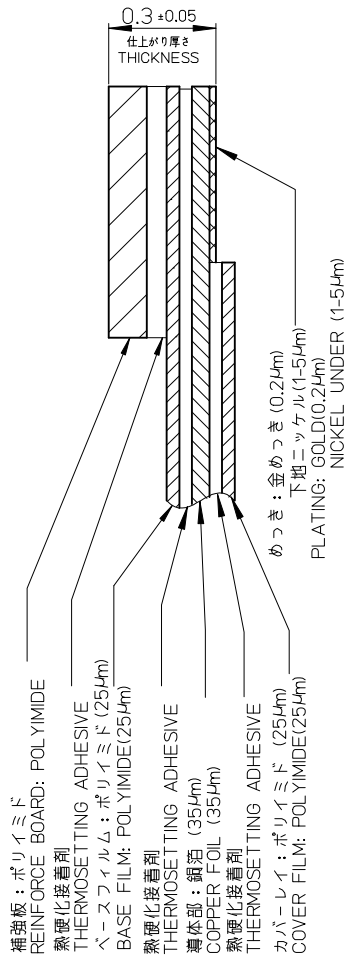
適合FPC/FFC推奨寸法
APPLICABLE FPC/FFC
RECOMMENDED DIMENSION

(): FFCに適用
(): APPLY TO FFC



耳無し適合FPC/FFC推奨寸法
APPLICABLE NON-TAB FPC/FFC
RECOMMENDED DIMENSION

(): FFCに適用
(): APPLY TO FFC



FPC構成推奨仕様
STRUCTURE OF FPC

FPC/FFCについて ABOUT FPC/FFC

打ち抜き方向は導体側から補強板側を推奨します。
導体部については軟箔銅35µmまたは50µmを推奨します。
FFCに規定された定格温度がFFC単体前提である場合が御座います。
コネクタと組み合わせての実使用に置いて、接着層が劣化するなどの信頼性を満足できないケースを回避するため、実機での評価/確認をお願い致します。

RECOMMENDED PUNCHING DIRECTION: FROM CONDUCTOR SIDE TO STIFFENER SIDE

RECOMMENDED CONDUCTOR SPEC: SOFT COPPER FOIL

RECOMMENDED CONDUCTOR THICKNESS: 35 MICROMETER OR 50 MICROMETER

NOTE: WHEN ACTUALLY USING IT WITH CONNECTOR, PLEASE DO THE EVALUATION AND THE CONFIRMATION WITH AN ACTUAL EQUIPMENT TO EVADE THE CASE WHERE RELIABILITY CANNOT BE FILLED (THE ADHESIVE LINE OF FFC IS DETERIORATED ETC.)

FPCについて ABOUT FPC

補強フィルム材質はポリイミドを推奨します。ベースフィルムは25µmを推奨します。

接着剤は熱硬化接着剤を推奨します。

尚、接着剤の接点部への付着は導通不良の原因になりますので、染み出しが無い様お願い致します。

RECOMMENDED MATERIAL/THICKNESS.

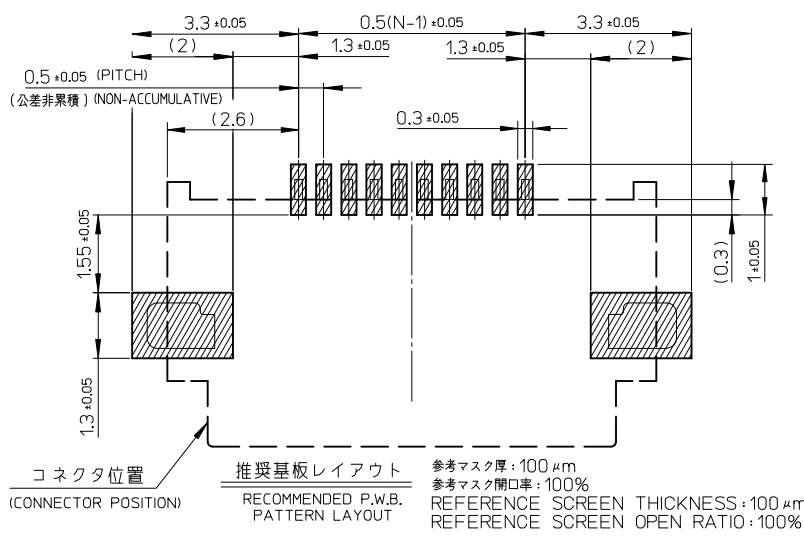
RECOMMENDED STIFFENER MATERIAL: POLYIMIDE

RECOMMENDED BASE FILM THICKNESS: 25 MICROMETER

RECOMMENDED ADHESIVE: THERMOSETTING ADHESIVE

NOTE: PLEASE PUT APPROPRIATE AMOUNT OF ADHESIVE ON ADHEREND BECAUSE THERE IS A POSSIBILITY THAT THE EXTRA ADHESIVE CAUSES THE DEFECT IN ELECTRICAL CONTINUITY. THERE IS A POSSIBILITY THAT THE PRESCRIPT TEMPERATURE OF FFC IS SET TO SINGLE IT.

SEE SHEET 1 EC NO: J2015-1582 DRWN:KONDO 2015/05/28 CHKD:KAKAHASHI 2015/05/29 APPR:KIMORI KAWA 2015/06/26	GENERAL TOLERANCES (UNLESS SPECIFIED)		DIMENSION STYLE MM ONLY		SCALE 10:1	DESIGN UNITS METRIC	THIRD ANGLE PROJECTION	
	0.25 UNDER	±0.03	DRAWN BY	DATE	TITLE			
	0.25 OVER	0.5 UNDER	±0.05	JASANUMA	2014/02/25	0.5 FPC CONN ZIF E/O 2 CONTACTS TYPE HSG ASSY (H=1.9)		
	0.5 OVER	1.0 UNDER	±0.1	CHECKED BY	DATE	molex		
1.0 OVER	10 UNDER	±0.2	KTAKAHASHI	2014/07/28	APPROVED BY			
10 OVER	30 UNDER	±0.25	YNOGAWA	2014/11/10	DATE			
30 OVER		±0.3	MATERIAL NO.		DOCUMENT NO.		SHEET NO.	
ANGULAR	±1 °		SEE SHEET 3		SD-505110-001		2 OF 3	
DRAFT WHERE APPLICABLE MUST REMAIN WITHIN DIMENSIONS			SIZE A3	THIS DRAWING CONTAINS INFORMATION THAT IS PROPRIETARY TO MOLEX INCORPORATED AND SHOULD NOT BE USED WITHOUT WRITTEN PERMISSION				



43.1	39.5	44.7	505110-8091	80
38.1	34.5	39.7	505110-7091	70
37.1	33.5	38.7	505110-6891	68
35.1	31.5	36.7	505110-6491	64
33.1	29.5	34.7	505110-6091	60
28.1	24.5	29.7	505110-5091	50
25.6	22.0	27.2	505110-4591	45
23.1	19.5	24.7	505110-4091	40
20.6	17	22.2	505110-3591	35
18.1	14.5	19.7	505110-3091	30
17.1	13.5	18.7	505110-2891	28
16.1	12.5	17.7	505110-2691	26
15.1	11.5	16.7	505110-2491	24
14.1	10.5	15.7	505110-2291	22
13.1	9.5	14.7	505110-2091	20

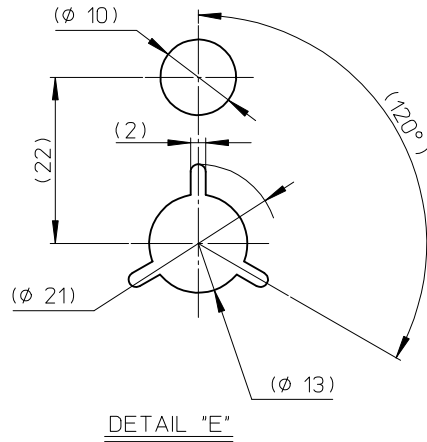
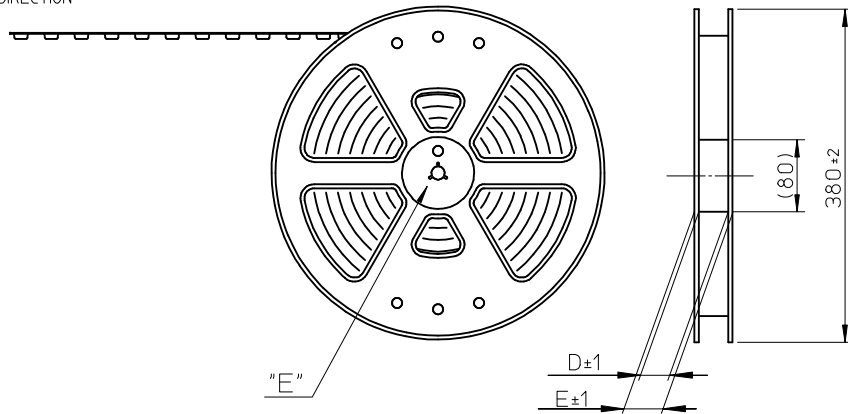
CONNECTOR SERIES NO. 505110-**11

C B A EMBOSSED PACKAGE
Ck1
オーダー番号 ORDER NO.

SEE SHEET 1 EC NO.: J2015-1582 DRWN:KONDO 2015/05/28 CHKD:KATAHASHI 2015/05/29 APPR:KMORIKAWA 2015/06/26	GENERAL TOLERANCES (UNLESS SPECIFIED)		DIMENSION STYLE MM ONLY		SCALE 5:1	DESIGN UNITS METRIC	THIRD ANGLE PROJECTION
	0.25 UNDER	± 0.03	DRAWN BY	DATE	TITLE		
	0.25 OVER 0.5 UNDER	± 0.05	JASANUMA	2014/02/25	0.5 FPC CONN ZIF E/O 2 CONTACTS TYPE HSG ASSY (H=1.9)		
	0.5 OVER 1.0 UNDER	± 0.1	CHECKED BY	DATE	molex DOCUMENT NO. SD-505110-001 SHEET NO. 3 OF 3		
	1.0 OVER 30 UNDER	± 0.2	KATAHASHI	2014/07/28			
10 OVER 30 UNDER	± 0.25	APPROVED BY	DATE	SEE CHART			
30 OVER	± 0.3	YNOGAWA	2014/11/10	MATERIAL NO.			
ANGULAR ±1 °		DRAFT WHERE APPLICABLE MUST REMAIN WITHIN DIMENSIONS		THIS DRAWING CONTAINS INFORMATION THAT IS PROPRIETARY TO MOLEX INCORPORATED AND SHOULD NOT BE USED WITHOUT WRITTEN PERMISSION			

引き出し方向

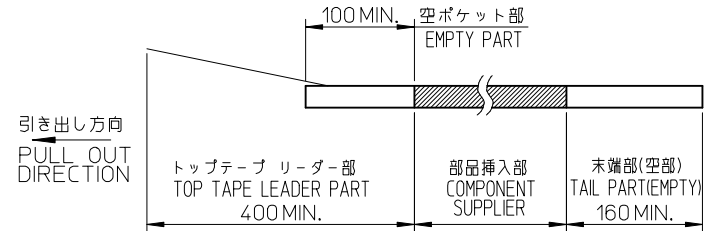
PULL OUT DIRECTION



NOTES

1. 梱包数量 : 3000個/リール
NUMBER OF CONNECTORS : 3000PIECES/REEL

2. リードテープ長さ
LEAD TAPE LENGTH



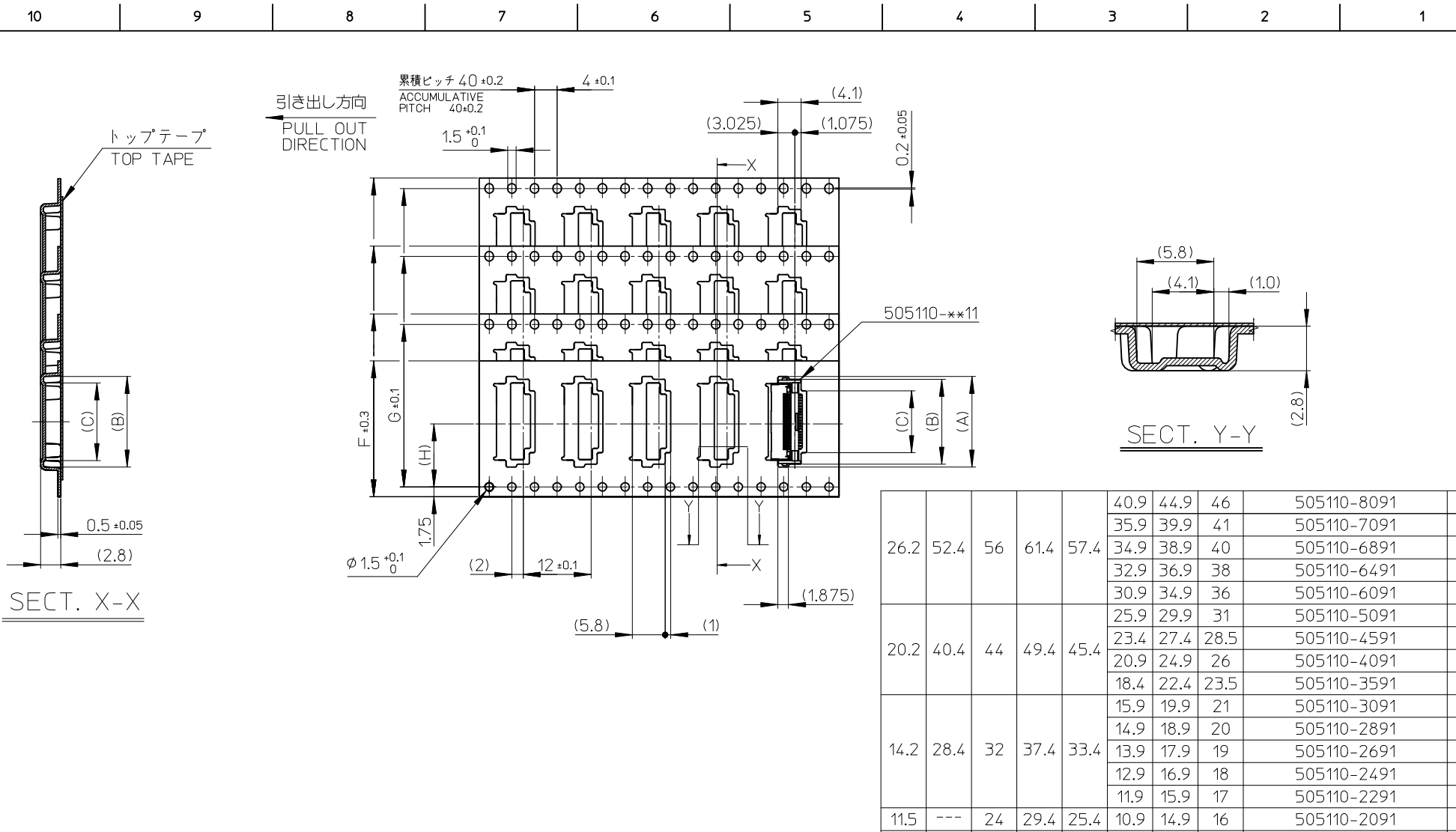
3. カバーテープの剥離強度については、IEC60286-3に準拠
COVER TAPE PEEL FORCE IS DEFINED BY IEC 60286-3.

4. 製品詳細寸法については図面 SD-505110-001を参照下さい。
FOR DIMENSIONS OF PRODUCT, REFER TO SD-505110-001.

5. 材料 MATERIAL
 キャリアテープ : ポリスチレン
 CARRIER TAPE : POLYSTYRENE
 トップテープ : ポリエチレンテレフタレート, ポリエチレン
 TOP TAPE : POLYETHYLENE TEREPHTHALATE , POLYETHYLENE
 リール : ポリスチレン<リサイクル材を含む>
 REEL : POLYSTYRENE<RECYCLE MATERIAL CONTAINED>

6. ELV及びRoHS適合品 ELV AND RoHS COMPLIANT

REVISED EC NO: J2015-1582 DRWN:KONDO 2015/05/28 CHKD:KAKAHASHI 2015/05/29 APPR:KMORIKAWA 2015/06/26	GENERAL TOLERANCES (UNLESS SPECIFIED)			DIMENSION STYLE MM ONLY		SCALE 1:1	DESIGN UNITS METRIC	THIRD ANGLE PROJECTION
	0.25 UNDER	UNDER	± 0.03	DRAWN BY	DATE	TITLE		
	0.25 OVER	0.5 UNDER	± 0.05	JASANUMA	2014/02/25	0.5 FPC CONN ZIF E/O 2 CONTACTS TYPE EMBSTP PACKAGE (H=1.9)		
	0.5 OVER	1.0 UNDER	± 0.1	CHECKED BY	DATE	molex DOCUMENT NO. SD-505110-002 SHEET NO. 1 OF 2		
	1.0 OVER	10 UNDER	± 0.2	KTAKAHASHI	2014/07/30			
10 OVER	30 UNDER	± 0.25	APPROVED BY	DATE				
30 OVER		± 0.3	YNOGAWA	2014/11/10				
ANGULAR	± 1 °		MATERIAL NO. SEE SHEET 2					
DRAFT WHERE APPLICABLE MUST REMAIN WITHIN DIMENSIONS				SIZE A3	THIS DRAWING CONTAINS INFORMATION THAT IS PROPRIETARY TO MOLEX INCORPORATED AND SHOULD NOT BE USED WITHOUT WRITTEN PERMISSION			



26.2	52.4	56	61.4	57.4	40.9	44.9	46	505110-8091	80
					35.9	39.9	41	505110-7091	70
					34.9	38.9	40	505110-6891	68
					32.9	36.9	38	505110-6491	64
					30.9	34.9	36	505110-6091	60
20.2	40.4	44	49.4	45.4	25.9	29.9	31	505110-5091	50
					23.4	27.4	28.5	505110-4591	45
					20.9	24.9	26	505110-4091	40
					18.4	22.4	23.5	505110-3591	35
14.2	28.4	32	37.4	33.4	15.9	19.9	21	505110-3091	30
					14.9	18.9	20	505110-2891	28
					13.9	17.9	19	505110-2691	26
11.5	---	24	29.4	25.4	12.9	16.9	18	505110-2491	24
					11.9	15.9	17	505110-2291	22
H	G	F	E	D	C	B	A	505110-2091	20

CONNECTOR SERIES NO. 505110-**11

SEE SHEET 1 EC NO.: J2015-1582 DRWN: KONDO 2015/05/28 CHKD: TAKAHASHI 2015/05/29 APPR: KMORIKAWA 2015/06/26	GENERAL TOLERANCES (UNLESS SPECIFIED)			DIMENSION STYLE MM ONLY		SCALE ---	DESIGN UNITS METRIC	THIRD ANGLE PROJECTION	
	0.25 UNDER	UNDER	±0.03	DRAWN BY	DATE	TITLE			
	0.25 OVER	0.5 UNDER	±0.05	JASANUMA	2014/02/25	0.5 FPC CONN ZIF E/O 2 CONTACTS TYPE EMBSTP PACKAGE (H=1.9)			
	0.5 OVER	1.0 UNDER	±0.1	CHECKED BY	DATE				
	1.0 OVER	10 UNDER	±0.2	KTAKAHASHI	2014/07/30				
	10 OVER	30 UNDER	±0.25	APPROVED BY	DATE				
30 OVER		±0.3	YNOGAWA	2014/11/10	MATERIAL NO.	DOCUMENT NO.	SHEET NO.		
ANGULAR	±1 °		SEE CHART		SD-505110-002		2 OF 2		
DRAFT WHERE APPLICABLE MUST REMAIN WITHIN DIMENSIONS			SIZE A3	THIS DRAWING CONTAINS INFORMATION THAT IS PROPRIETARY TO MOLEX INCORPORATED AND SHOULD NOT BE USED WITHOUT WRITTEN PERMISSION					