

**40**mm sq.

# San Ace 40

48mm thick (9CRA type), 56mm thick (9CRB type)  
 56mm thick (9CRF type), 56mm thick (9CRD type)  
 56mm thick (9CRE type)



## General Specifications

- Material ..... Frame: Plastics (Flammability: UL94V-0),  
 Impeller: Plastics (Flammability: UL94V-1)
- Expected Life ..... Refer to specifications (L10:Survival rate:90% at 60°C ,  
 rated voltage, and continuously run in a free air state)
- Lead Wire ..... Inlet ⊕red ⊖black (Sensor) yellow (Control) brown  
 Outlet ⊕orange ⊖gray (Sensor) purple (Control) white
- Storage Temperature ..... -30°C to +70°C (Non-condensing)

**40×40×48mm** (Mass : 80g) **9CRA type**

## Specifications

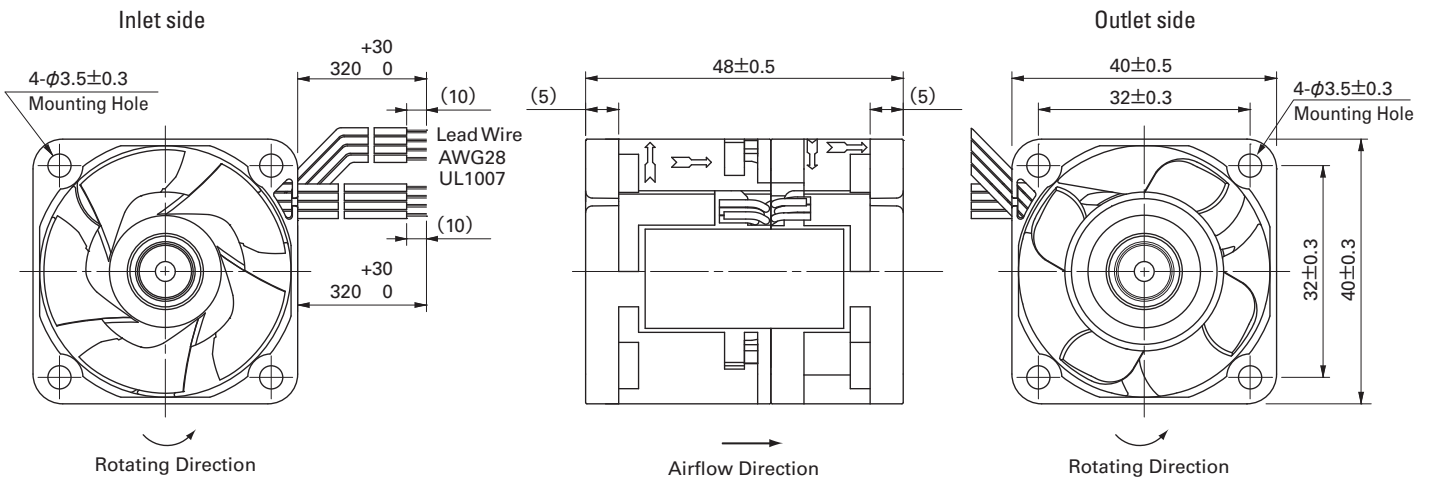
The following nos. **have PWM controls and pulse sensors.**

Model No.	Rated Voltage [V]	Operating Voltage Range [V]	PWM duty cycle※ [%]	Rated Current [A]	Rated Input [W]	Rated Speed [min <sup>-1</sup> ]		Max. Airflow [m <sup>3</sup> /min] [CFM]		Max. Static Pressure [Pa] [inchH <sub>2</sub> O]		SPL [dB(A)]	Operating Temperature [°C]	Expected Life [h]
						Inlet	Outlet							
9CRA0412P4K03	12	10.8 to 13.2	100	1.60	19.20	17,500	11,700	0.920	32.50	650.0	2.610	64	-20 to +70	40,000
			0	0.19	2.28	5,250	3,510	0.276	9.75	58.5	0.235	33		
9CRA0412P4J03			100	1.20	14.40	16,200	10,800	0.850	30.00	560.0	2.250	62		
			0	0.15	1.80	4,500	3,000	0.236	8.33	43.2	0.173	28		
9CRA0412P4G03			100	1.00	12.00	14,700	9,800	0.770	27.20	460.0	1.850	59		
			0	0.15	1.80	4,410	2,940	0.231	8.16	41.4	0.166	28		

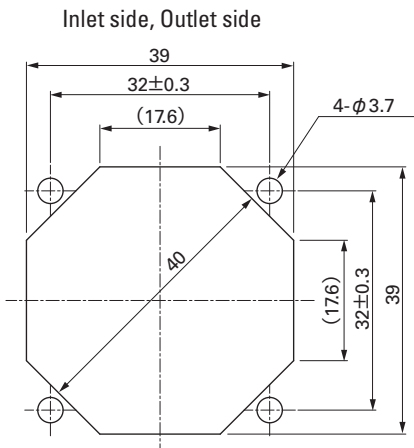
※PWM Frequency : 25kHz

Some models can also be equipped without sensors or with pulse sensors (no PWM control functions) as an option. Please refer to the index (pp. 417 to 437).

## Dimensions (unit : mm)



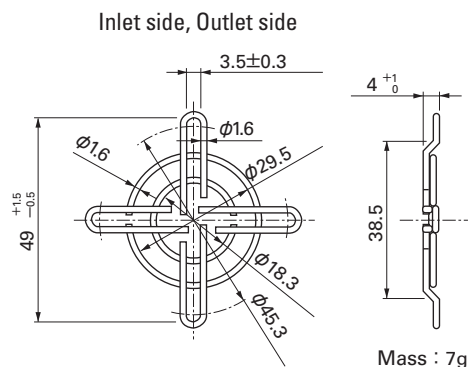
## Reference dimension of mounting holes and vent opening (unit : mm)



## Options (unit : mm)

### Finger Guards

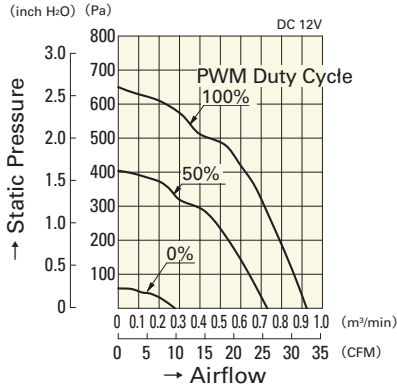
Color  
 Model : 109-059 Surface treatment : Nickel-chrome plating (silver)  
 : 109-059H : Cation electropainting (black)



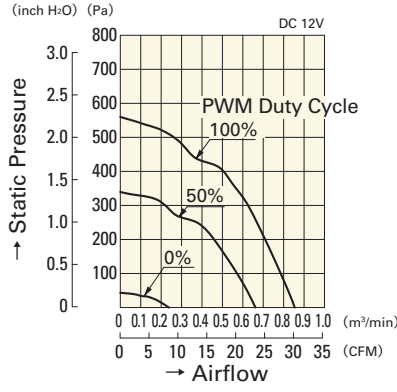
Mass : 7g

## Airflow - Static Pressure Characteristics

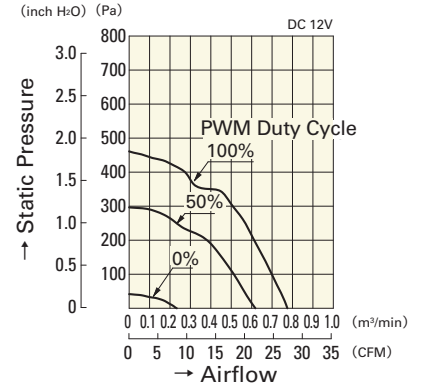
### PWM Duty Cycle



**9CRA0412P4K03**

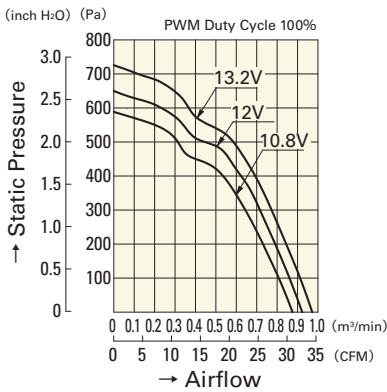


**9CRA0412P4J03**

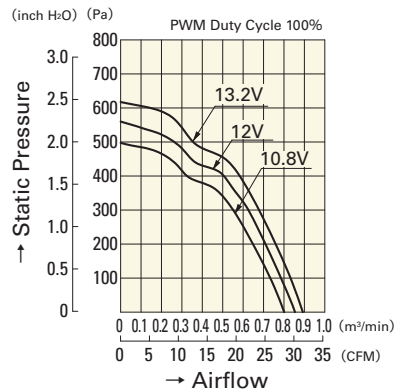


**9CRA0412P4G03**

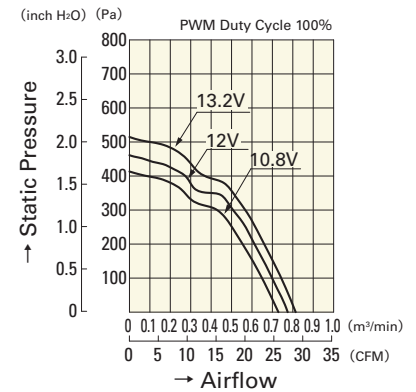
### Operating Voltage Range



**9CRA0412P4K03**

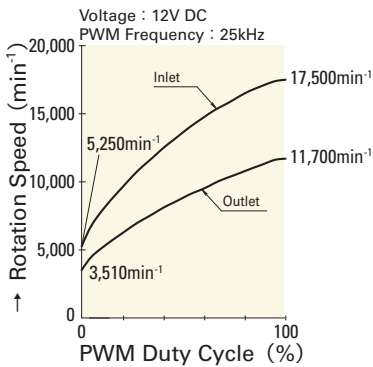


**9CRA0412P4J03**

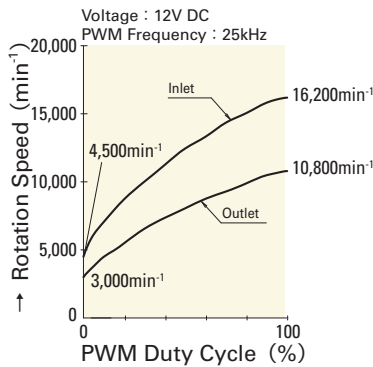


**9CRA0412P4G03**

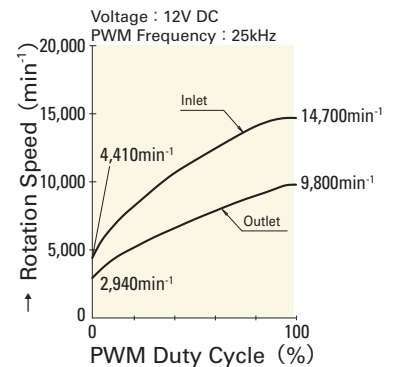
## PWM Duty - Speed Characteristics Example



**9CRA0412P4K03**



**9CRA0412P4J03**



**9CRA0412P4G03**