



19 Swell Action Latch

Plastic · Light-duty

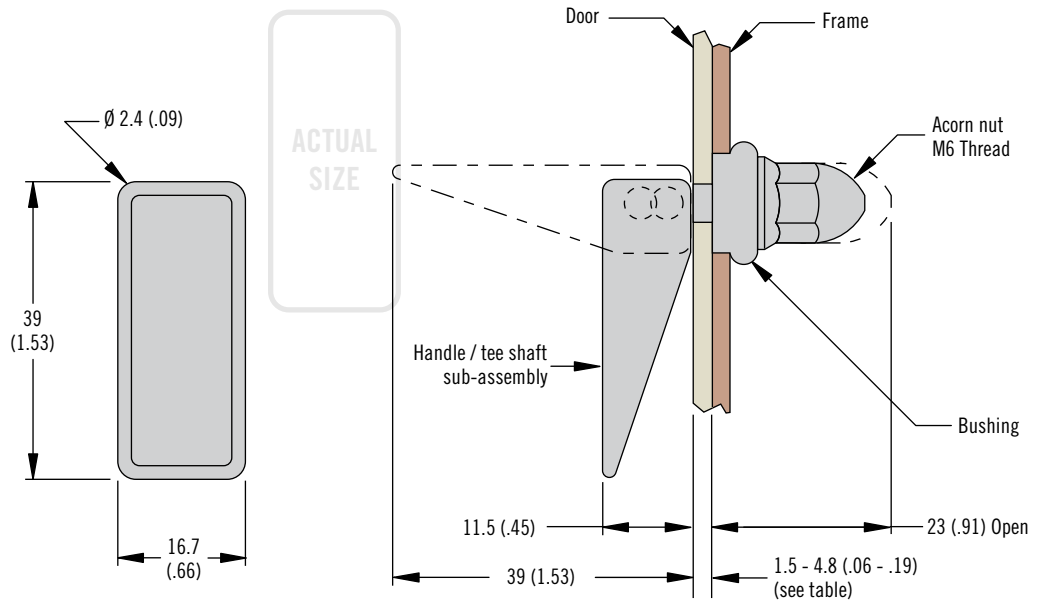
- Accommodates misalignment
- Vibration dampening

Material and Finish

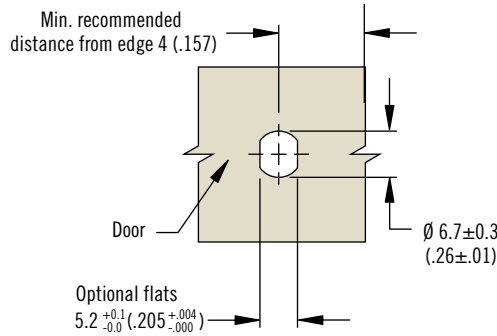
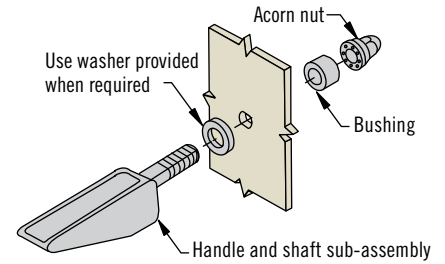
Nylon and glass-filled nylon black with SBR rubber bushing

Performance Details

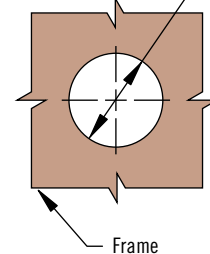
Frame thickness	Rated load (short term)
1.5 (.059)	400 N (90lbf)
2.5 (.098)	690 N (155lbf)
3.2 (.125)	620 N (140lbf)
4.8 (.190)	190 N (43lbf)



Door Thickness	Use Washer?	Adjustment Required
$1.7 \pm 0.2 (.07 \pm .01)$	Yes	No
1.9 - 2.3 (.08 - .09)	Yes	Yes
$2.5 \pm 0.2 (.10 \pm .01)$	No	No
2.7 - 4.8 (.11 - .19)	No	Yes



$\phi 13.7 \pm 0.3 (.54 \pm .01)$ for frame thickness up to 3.2 (.13)
 $\phi 14.1 \pm 0.3 (.56 \pm .01)$ for frame thickness 3.2 - 4.8 (.13 - .19)



Part Number

See table

Part Number	Packaging
19-51-01	Components bulk packaged
19-54-01	1 Assembly per bag

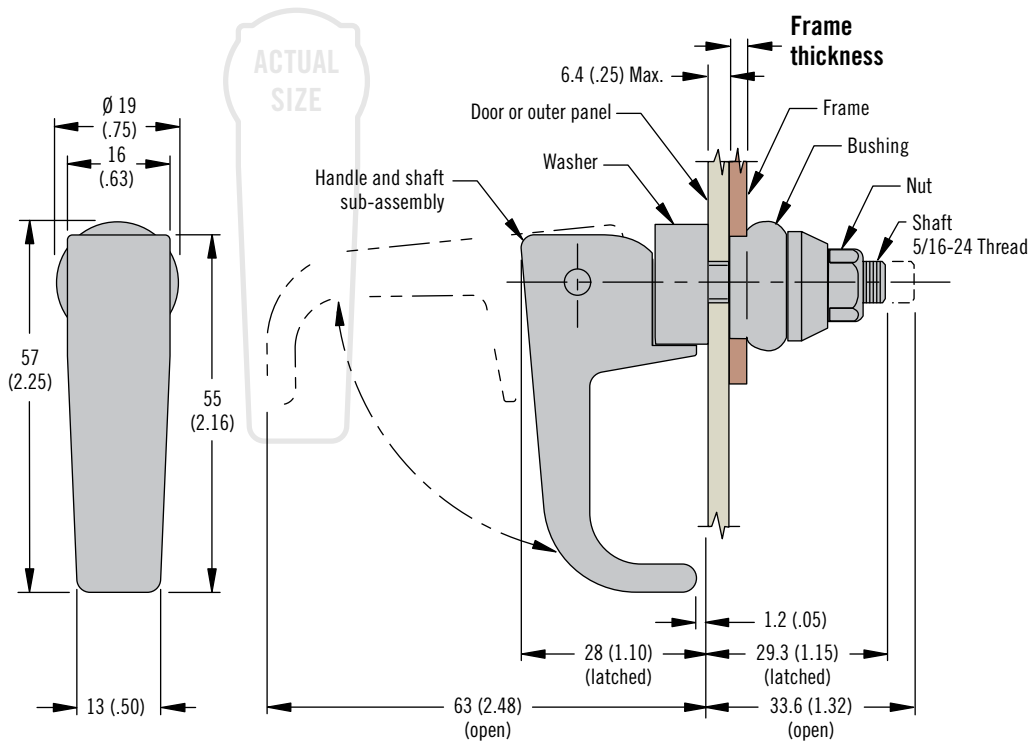
Dimensions in millimeters (inch) unless otherwise stated



www.southco.com/19

19 Swell Action Latch

Zinc · Heavy-duty



- Accommodates misalignment
- Vibration dampening

Material and Finish

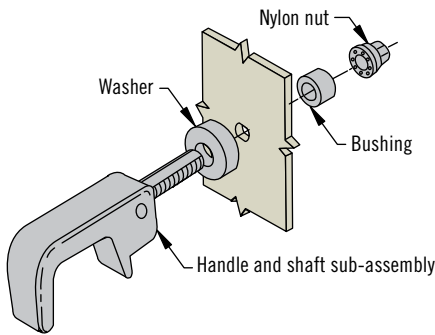
Zinc alloy, black powder coated, acetal and SBR rubber bushing

Performance Details

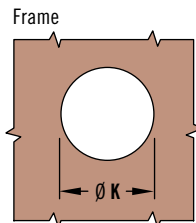
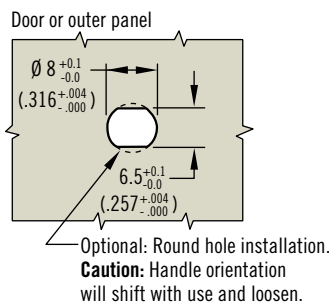
Frame thickness	Rated load (short term)
1.2 (.05) to 3.2 (.13)	330 N (75 lbf)
3.2 (.13) to 4.8 (.19)	660 N (150 lbf)
4.8 (.19) to 6.4 (.25)	550 N (125 lbf)
6.4 (.25) and Up	220 N (50 lbf)

Installation Notes

Max. tightening torque on mounting nut: 1.0 N·m (9i n·lbf)



Frame Thickness	ϕK ^{+0.5 (.031)} _{-0.0 (.000)}
1.2 - 3.2 (.05 - .13)	19 (.750)
3.2 - 4.8 (.13 - .19)	19.5 (.766)
4.8 - 6.4 (.19 - .25)	20 (.781)
6.4 (.25) and up	20.5 (.797)



Part Number
19-14-10

Part Number

See table





19 Swell Action Latch

Plastic · Flush

- Flush low profile design
- Accommodates misalignment
- Vibration resistant

Material and Finish

Nylon black with stainless steel mounting bracket and SBR rubber bushing

Set tool: 1095 Steel, zinc plated

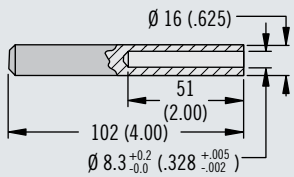
Performance Details

Series	Frame thickness	Rated load (short term)
19-83-10	0.5 - 3.2 (.016 - .13)	180 N (40lbf)
19-93-10	0.5 - 3.2 (.016 - .13)	440 N (100lbf)
	3.2 - 4.8 (.125 - .19)	330 N (75lbf)

Installation notes

Position bracket and retainer over stud and strike set tool. Adjust mounting nut to set latching tension.

Set tool

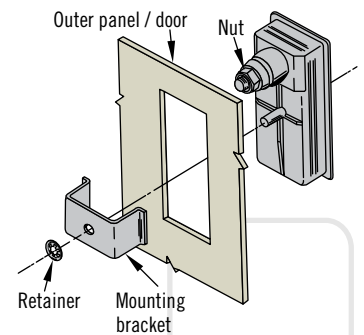
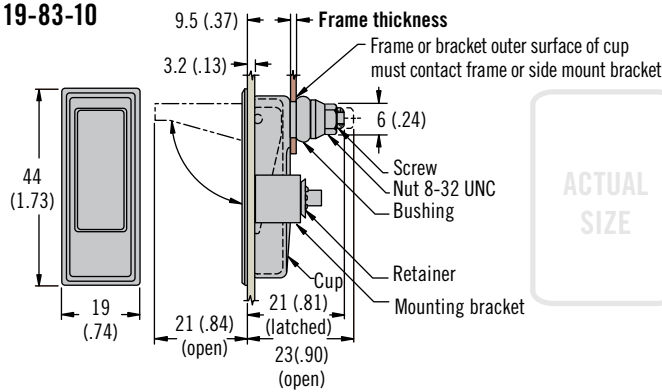


Tool part number: 17-10019-11

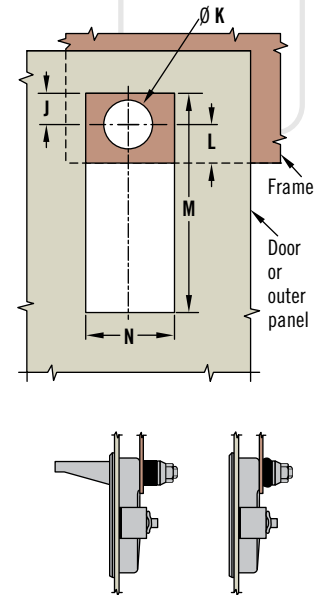
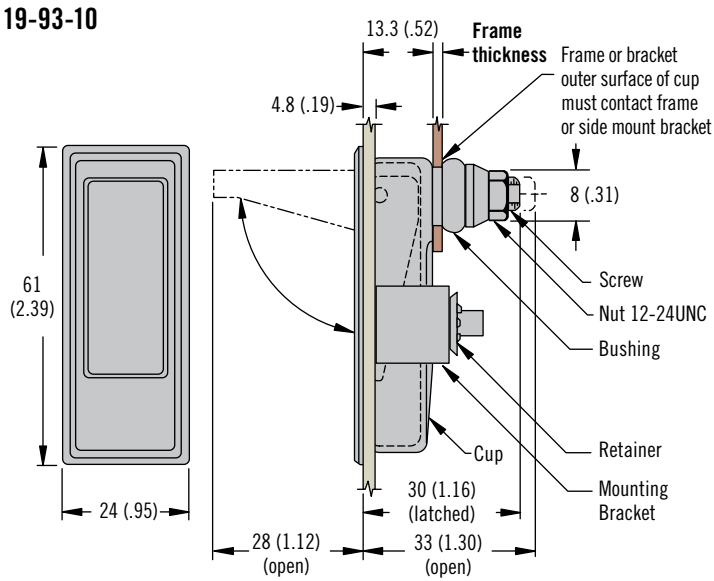
Part Number

See table

19-83-10



19-93-10

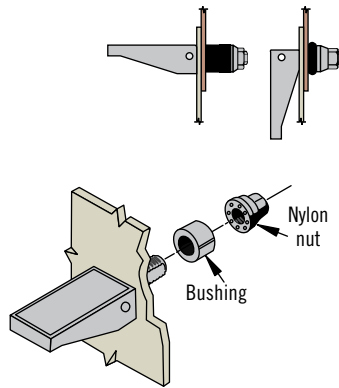
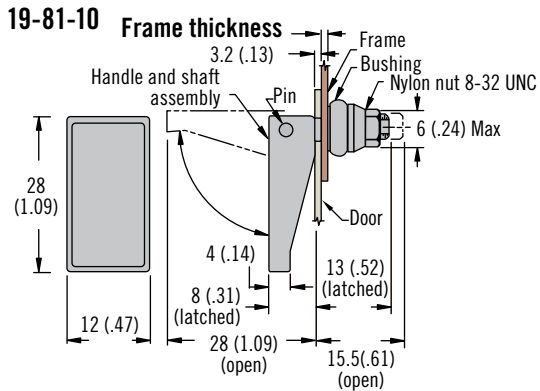


Part Number	Max. Misalignment Between Centerlines of Panel Hole and Frame Hole	Frame or Bracket				Outer Panel / Door		
		Rated Load (Short Term)	Frame Thickness	J±0.3 (.010)	∅ K +0.5 (.020) -0.0 (.000)	L Max.	M	N
19-83-10	0.4 (.015)	180 N (40lbf)	3.2 (.13) Max.	6 (.234)	9.5 (.375)	11 (.45)	41.5 ^{+0.4} _{-0.0} (1.64 ^{+0.005} _{-0.0})	16.5 ⁺⁰ _{-0.4} (.640 ^{+0.0} _{-0.005})
19-93-10	0.6 (.025)	440 N (100lbf)	Up to 3.2 (.13)	8 (.312)	13.5 (.531)	15 (.56)	57.5±.02 (2.265±.005)	20.5 ^{+0.4} _{-0.0} (.812 ^{+0.0} _{-0.005})
	0.8 (.030)	330 N (75lbf)	3.2 - 4.8 (.13 - .19)		14 (.56)			

Dimensions in millimeters (inch) unless otherwise stated

19 Swell Action Latch

Plastic Light-duty



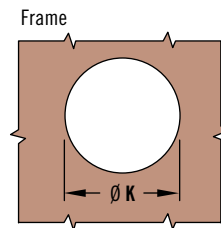
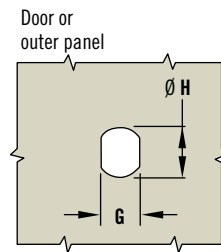
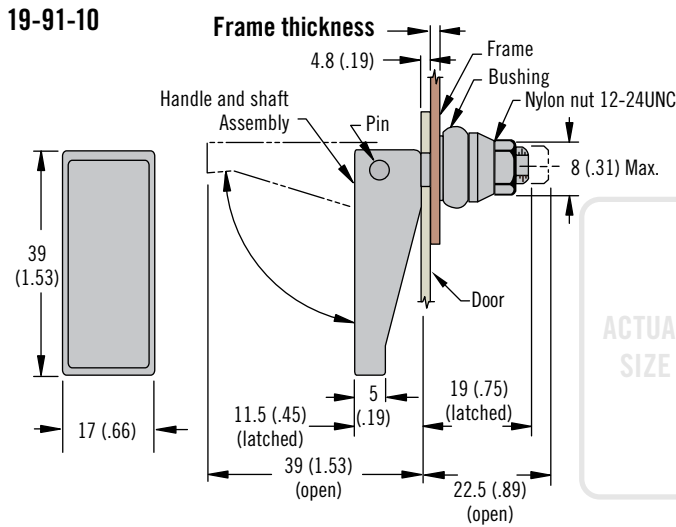
- Accommodates misalignment
- Vibration dampening

Material and Finish

Nylon and glass-filled nylon black with SBR rubber bushing

Performance Details

Series	Frame thickness	Rated load (short term)
19-81-10	0.5 - 3.2 (.016 - .13)	180 N (40lbf)
19-91-10	0.5 - 3.2 (.016 - .13)	440 N (100lbf)
	3.2 - 4.8 (.125 - .19)	330 N (75lbf)

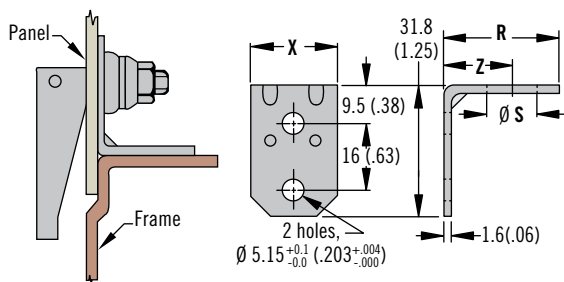


Part Number	G +0.1 (+.004) -0.0 (-.000)	H +0.1 (+.004) -0.0 (-.000)	Frame Thickness	K +0.5 (+.030) -0.0 (-.000)
19-81-10	3.3 (.130)	4.1 (.161)	3.2 (.13) Max.	9.5 (.375)
19-91-10	4.5 (.177)	5.8 (.228)	Up to 3.2 (.13)	13.5 (.531)
			3.2 - 4.8 (.13 - .19)	14 (.547)

Installation notes

Max. tightening torque on mounting nut: 1 N·m (9 in·lbf)

Accessories - Side mount bracket



Latch Part Number	Ø S	R	X	Z	Bracket Part Number
19-81-10 and 19-83-10	9.5 (.38)	27 (1.06)	20.5 (.81)	16.7 (.66)	19-0-15666-11
19-91-10 and 19-93-10	13.5 (.53)				19-0-15665-11

Part Number

See table



Southco® Quarter-turn Fasteners

Swell Action Series

- No receptacle required
- Vibration-resistant
- Two sizes, two head styles
- Use in nearly any material and in blind applications



Material and Finish

WING: 1010 Steel, zinc plate, chromate plus sealer. SLOTTED HEAD STUDS: 1008 Steel, zinc plate, chromate plus sealer. SLEEVE: SBR Rubber. STATIONARY CAM: Acetal, black. MOVING CAM: Die-cast zinc, black organic coating.

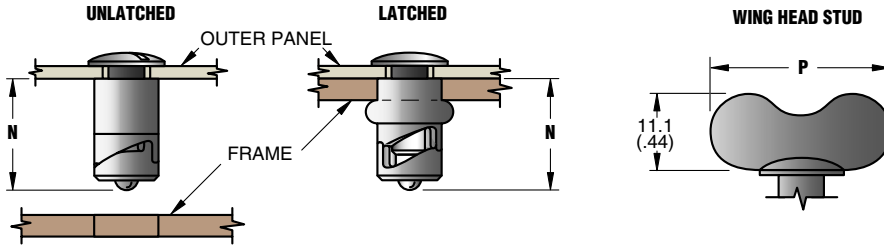
Studs are bulk packaged.
Sleeves and cams are packaged one set per bag.

Product Strength Guidelines

(To assist in your product selection; samples are available for your evaluation.)

SERIES 20: Maximum static load 180 N (40 lbs.)
Average ultimate load 330 N (75 lbs.)
SERIES 50: Maximum static load 220 N (50 lbs.)
Average ultimate load 440 N (100 lbs.)

Flammability Rating: UL94-HB
Operating Temperature Rating: 0°C (30°F) to 65°C (150°F)



NOTE: Swell latches hold panels snug under short term intermittent loading. Do not apply continuous load.

YOUR OUTER PANEL THICKNESS		F REF.	ASSEMBLY PART NUMBERS		
MIN.	MAX.		L	With Oval Head Stud	With Wing Head Stud

SERIES 20

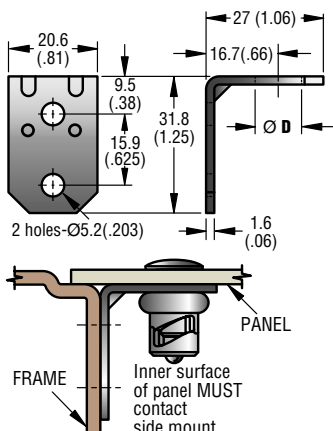
1.3 (.050)	1.8 (.069)	17.5 (.69)	13.6 (.535)	84-20-060-10 •	84-20-060-20 •
1.8 (.070)	2.3 (.089)	18 (.71)	14.1 (.555)	84-20-080-10 •	84-20-080-20
2.3 (.090)	2.8 (.109)	18.5 (.73)	14.6 (.575)	84-20-100-10 •	84-20-100-20
2.8 (.110)	3.3 (.129)	19.1 (.75)	15.1 (.595)	84-20-120-10 •	84-20-120-20

SERIES 50

1.3 (.050)	1.8 (.069)	21.3 (.84)	16.6 (.654)	84-50-060-10 •	84-50-060-20 •
1.8 (.070)	2.3 (.089)	21.8 (.86)	17.1 (.674)	84-50-080-10 •	84-50-080-20 •

SERIES	DIMENSIONS												
	A	B	C	D	E	G	H	J	K	M	N	O	P
20	9.5 (.38)	2.3 (.09)	6.4 (.25)	11.1 (.44)	12.7 (.50)	11.9 (.47)	17.5 (.69)	152.4 (6.00)	11.1 (.44)	33.3 (1.31)	15.9 (.63)	9.7 (.39)	22.2 (.88)
50	14.3 (.56)	3.0 (.12)	7.9 (.31)	13.5 (.53)	15.9 (.63)	20.6 (.81)	20.6 (.81)	139.7 (5.50)	14.3 (.56)	30.2 (1.19)	19.8 (.78)	14.6 (.58)	28.6 (1.13)

Side Mount Bracket

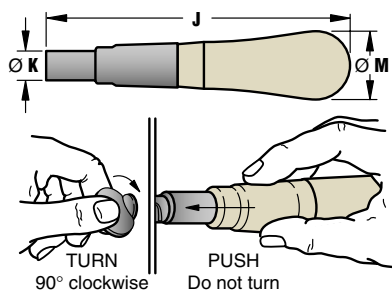


Bracket Material and Finish

Steel, zinc plated, yellow chromate dip.

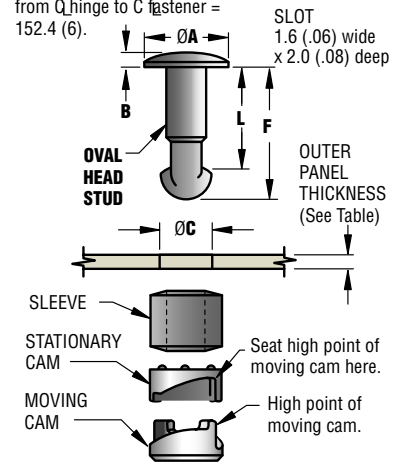
Installation Tool

(Order separately by part number)

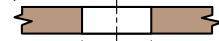


Assembly

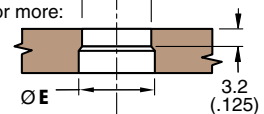
NOTE: On hinged doors, minimum mounting distance from Q hinge to C fastener = 152.4 (6).



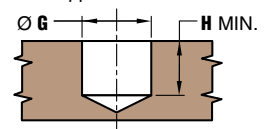
A. When frame thickness is 3.2 (.125) or less:



B. When frame thickness is 3.2 (.125) or more:



C. For blind hole applications:



millimeter (inch)
millimeter (inch)

Dimensions without tolerances are for reference only.

BRACKET PART NUMBERS	
SERIES 20	SERIES 50
84-0-15742-11 •	19-0-15665-11 •

TOOL PART NUMBERS	
SERIES 20	SERIES 50
82-0-14719-11 •	41-0-12125-11 •

Quarter-turn Fasteners Swell Action