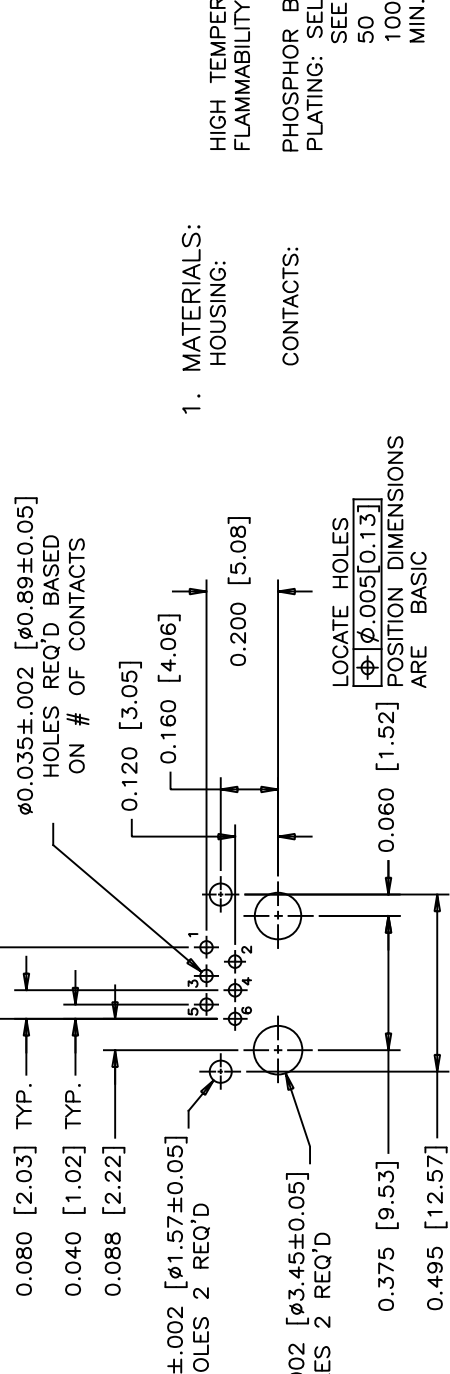
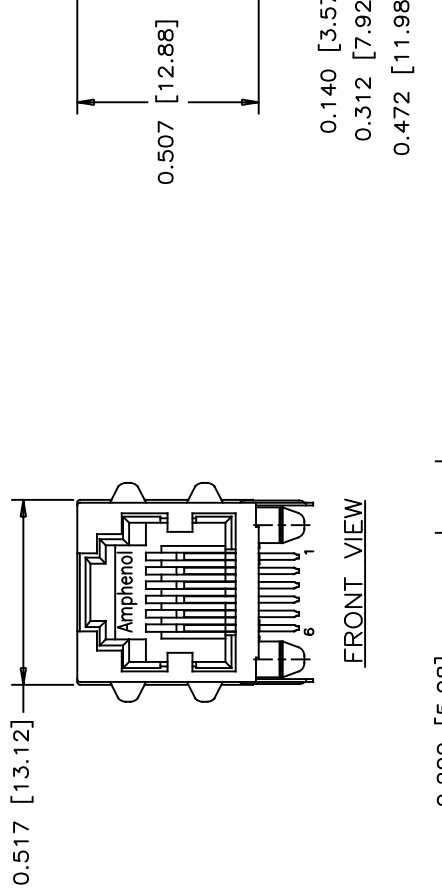
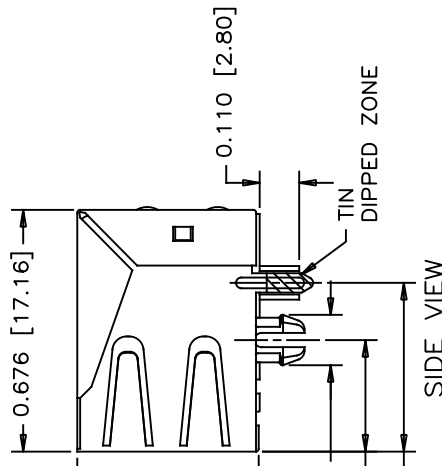


REV	DESCRIPTION, ECN, EAR NO.	DATE	APP'D
A	PROPOSAL DRAWING	MAR23/21	KELVINT



1. MATERIALS:  
HOUSING: HIGH TEMPERATURE ENGINEERING THERMOPLASTIC FLAMMABILITY RATING UL 94V-0, BLACK

CONTACTS: PHOSPHOR BRONZE PLATING: SELECTIVE GOLD PLATING ON MATING SURFACES SEE AMPHENOL PART NUMBER FOR DETAIL.  
50 μ" [1.27 MICRONS] MIN. NICKEL UNDERPLATE  
100 μ" [2.54 MICRONS] MIN. MATTE TIN ON CONTACT TAILS.

SHIELD: COPPER ALLOY PLATING: NICKEL WITH TIN DIPPED PCB TAILS.

2. ENVIRONMENTAL:  
OPERATING TEMPERATURE: -55°C to 85 °C

PART NUMBER: RJE01-XX2-01

GOLD PLATING CONTACTS:  
1 = 6 μ"  
2 = 2 CONTACTS LOADED IN POSITION 3 & 4.  
4 = 4 CONTACTS LOADED IN POSITION 2 TO 5.  
6 = 6 CONTACTS LOADED IN POSITION 1 TO 6.

UNLESS SPECIFIED OTHERWISE	DRAWN	STEVE.X	MAR25/21
PRIMARY UNITS INCHES	CHECKED	L.CHAN	MAR25/21
SECONDARY MILLIMETERS	M.E. APP'D		
REFERENCE IN PARENTHESES	Q.A. APP'D		
GENERAL TOLERANCES FOR MM	DWG APP'D		
1 DECIMAL PLACE ±0.015	ENG. REL. NO.		
2 DECIMAL PLACE ±0.010	REF.		
3 DECIMAL PLACE ±0.005			
ANGULAR DEGREES ±1.5°			

Amphenol Canada Corp. Commercial Products	
MODULAR JACK, SINGLE PORT, 6 POSITION, CONTACT OPTIONS SHIELDED WITH SIDE TABS - RoHS COMPLIANT	
REV	P-RJE01-XX2-01
SCALE	N/A
SHEET	1 OF 1

THIS DOCUMENT CONTAINS PROPRIETARY INFORMATION AND SUCH INFORMATION MAY NOT BE DISCLOSED TO OTHERS FOR ANY PURPOSE OR USED FOR MANUFACTURING PURPOSES WITHOUT WRITTEN PERMISSION FROM AMPHENOL CANADA CORP.