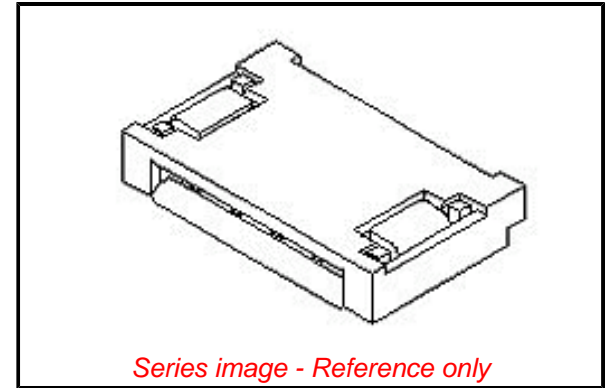


**PLEASE CHECK WWW.MOLEX.COM FOR LATEST PART INFORMATION**

**Part Number:** **0512811094**  
**Status:** **Active**  
**Overview:** Easy-On FFC FPC Connectors  
**Description:** 0.50mm Pitch Easy-On FFC/FPC Connector, Surface Mount, Right-Angle, Non-ZIF, Dual Contact Style, 1.20mm Mated Height, 10 Circuits, Gold (Au) Plating

**Documents:**

|  |  |
|--|--|
| <a href="#">3D Model</a>                                     | <a href="#">Application Specification AS-51281-001-001 (PDF)</a> |
| <a href="#">Drawing (PDF)</a>                                | <a href="#">Packaging Specification SPK-51281-001-001 (PDF)</a>  |
| <a href="#">3D Model (PDF)</a>                               | <a href="#">RoHS Certificate of Compliance (PDF)</a>             |
| <a href="#">Product Specification PS-51281-003-001 (PDF)</a> |  |



**General**

|                |                            |
|----------------|----------------------------|
| Product Family | FFC/FPC Connectors         |
| Series         | 51281                      |
| Overview       | Easy-On FFC FPC Connectors |
| Product Name   | Easy-On                    |
| UPC            | 822348700066               |

**Physical**

|                                |                       |
|--------------------------------|-----------------------|
| Actuator Type                  | Non-ZIF               |
| Circuits (Loaded)              | 10                    |
| Color - Resin                  | Natural               |
| Contact Position               | Dual                  |
| Durability (mating cycles max) | 20                    |
| Mated Height                   | 1.20mm                |
| Material - Metal               | Phosphor Bronze       |
| Material - Plating Mating      | Gold                  |
| Material - Plating Termination | Tin                   |
| Net Weight                     | 70.780/mg             |
| Number of Rows                 | 1                     |
| Orientation                    | Right Angle           |
| PCB Locator                    | No                    |
| PCB Mounting                   | Surface Mount         |
| PCB Retention                  | Yes                   |
| Packaging Type                 | Embossed Tape on Reel |
| Pitch - Mating Interface       | 0.50mm                |
| Plating min - Mating           | 0.102µm               |
| Plating min - Termination      | 1.016µm               |
| Polarized to PCB               | Yes                   |
| Stackable                      | No                    |
| Surface Mount Compatible (SMC) | N/A                   |
| Temperature Range - Operating  | -20° to +85°C         |
| Wire/Cable Type                | FFC/FPC               |

**Electrical**

|                               |      |
|-------------------------------|------|
| Current - Maximum per Contact | 0.5A |
| Voltage - Maximum             | 50V  |

**Material Info**

**Reference - Drawing Numbers**

|                           |                            |
|---------------------------|----------------------------|
| Application Specification | AS-51281-001-001           |
| Packaging Specification   | SPK-51281-001-001          |
| Product Specification     | PS-51281-003-001           |
| Sales Drawing             | SD-51281-011, SD-51281-012 |

**EU ELV**

**Not Relevant**

**EU RoHS**

**Compliant**

**REACH SVHC**

Not Contained Per -  
D(2020)4578-DC (25  
June 2020)

**Halogen-Free**

**Status**

**Low-Halogen**

For more information, please visit [Contact US](#)

China ROHS

ELV

RoHS Phthalates

**China RoHS**

Green Image

Not Relevant

Not Contained

**Search Parts in this Series**

51281 Series

This document was generated on 07/30/2020

**PLEASE CHECK [WWW.MOLEX.COM](http://WWW.MOLEX.COM) FOR LATEST PART INFORMATION**