

**Product number FCN12076_IRIS-SCREW**

Family	Iris	FWHM	4 degrees
Type	Pack	Efficiency	93 %
LED	XP-E	cd/lm	87.400
Color	Black	Gerber File	Available
Diameter	38 mm		
Height	26.9 mm		
Style	Round		
Optic Material	PMMA		
Holder Material	-		
Fastening	["glue", "pin", "screw"]		
Status	Production ready		

**Product number FCA12077_IRIS**

Family	Iris	FWHM	4 degrees
Type	Assembly	Efficiency	93 %
LED	XP-E	cd/lm	87.400
Color	Black	Gerber File	Available
Diameter	38 mm		
Height	27.1 mm		
Style	Round		
Optic Material	PMMA		
Holder Material	-		
Fastening	["glue", "tape", "pin", "screw"]		
Status	Production ready		

**Product number FCA12792_IRIS-M**

Family	Iris	FWHM	24 degrees
Type	Assembly	Efficiency	88 %
LED	XP-E	cd/lm	3.900
Color	Black	Gerber File	Available
Diameter	38 mm		
Height	28.6 mm		
Style	Round		
Optic Material	PC,PMMA		
Holder Material	-		
Fastening	["tape", "pin"]		
Status	Production ready		

**Product number FCN12790_IRIS-M**

Family	Iris	FWHM	29 degrees
Type	Pack	Efficiency	81 %
LED	XP-E	cd/lm	3.600
Color	Black	Gerber File	Available
Diameter	38 mm		
Height	28.4 mm		
Style	Round		
Optic Material	PMMA,PC		
Holder Material	-		
Fastening	["glue", "pin", "screw"]		
Status	Production ready		

**Product number FCN12791_IRIS-O**

Family	Iris	FWHM	41+25 degrees
Type	Pack	Efficiency	86 %
LED	XP-E	cd/lm	1.700
Color	Black	Gerber File	Available
Diameter	38 mm		
Height	28.4 mm		
Style	Round		
Optic Material	PMMA,PC		
Holder Material	-		
Fastening	["glue", "pin", "screw"]		
Status	Production ready		

Product number FCA12795_IRIS-O

Family	Iris	FWHM	41+25 degrees
Type	Assembly	Efficiency	86 %
LED	XP-E	cd/lm	1.700
Color	Black	Gerber File	Available
Diameter	38 mm		
Height	28.6 mm		
Style	Round		
Optic Material	PMMA,PC		
Holder Material	-		
Fastening	["tape", "pin"]		
Status	Production ready		

NOTE: The typical divergence will be changed by different color, chip size and chip position tolerance. The typical total divergence is the full angle measured where the luminous intensity is half of the peak value.



PRODUCT DATASHEET

Iris series

last update 3/3/2017

GENERAL INFORMATION

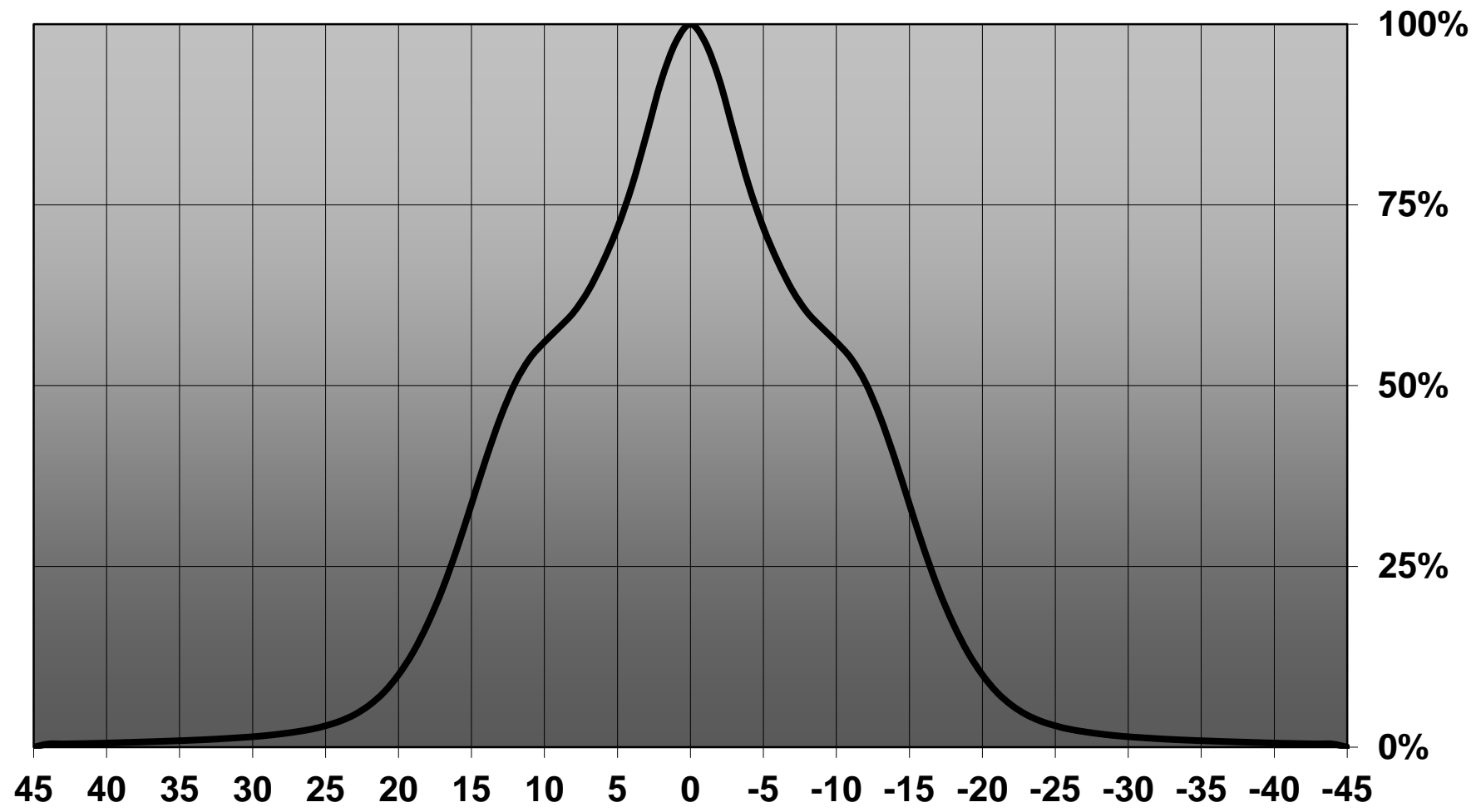
- Product series especially designed & optimized for XP-E series of LEDs.
- Special care taken to make light distribution as uniform as possible.
- Lens material optical grade PMMA with high UV and temperature resistance. Allows use of high current and temperature conditions.

Please find more information about used material from below:

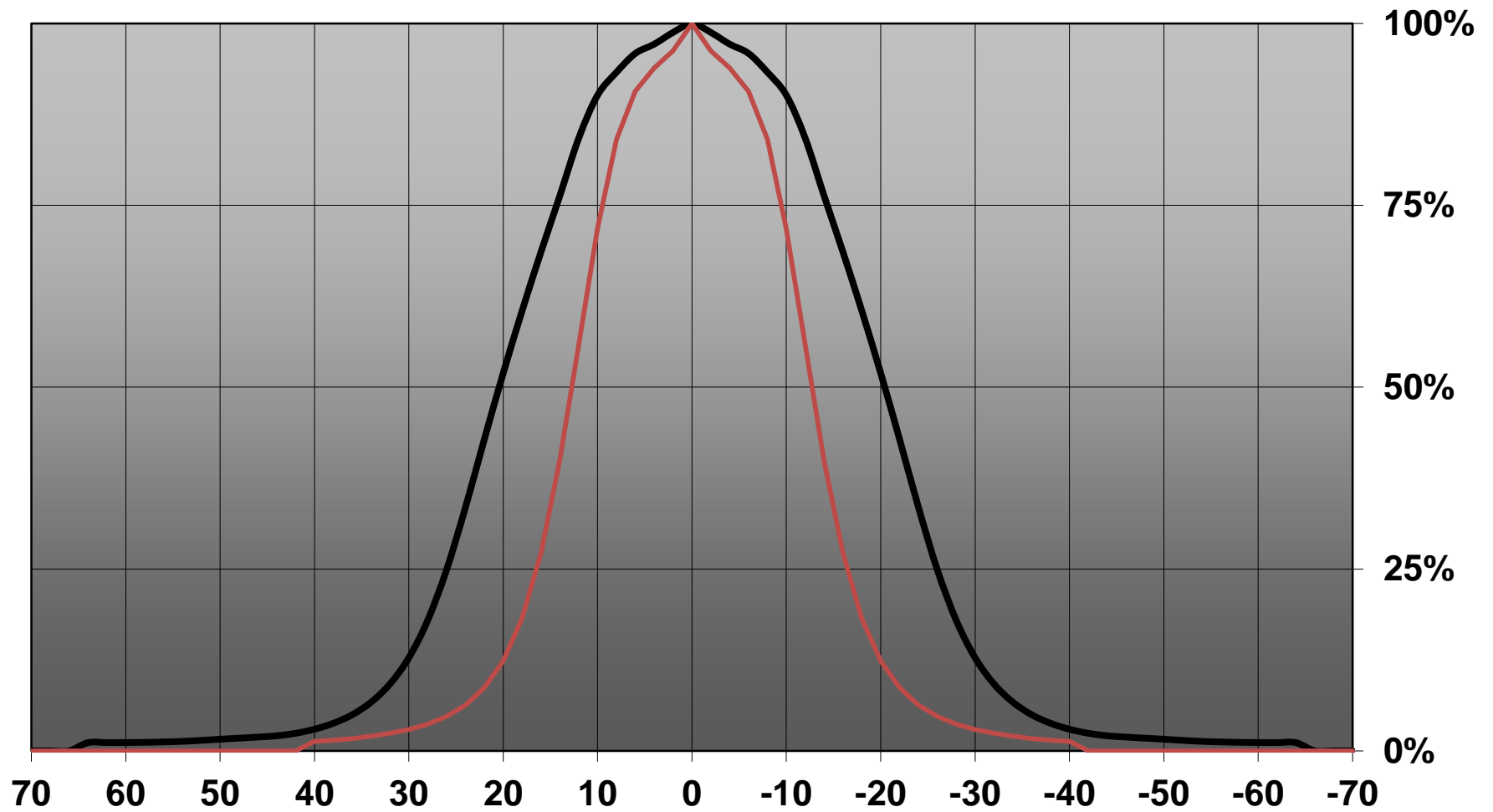
http://ledil.fi/sites/default/files/Documents/Technical/Material/PMMA%20N%20UL94_Yellow%20Card.pdf

<http://ledil.fi/sites/default/files/Documents/Technical/Material/PMMA%20N%20PLEXIGLAS-Datasheet.pdf>

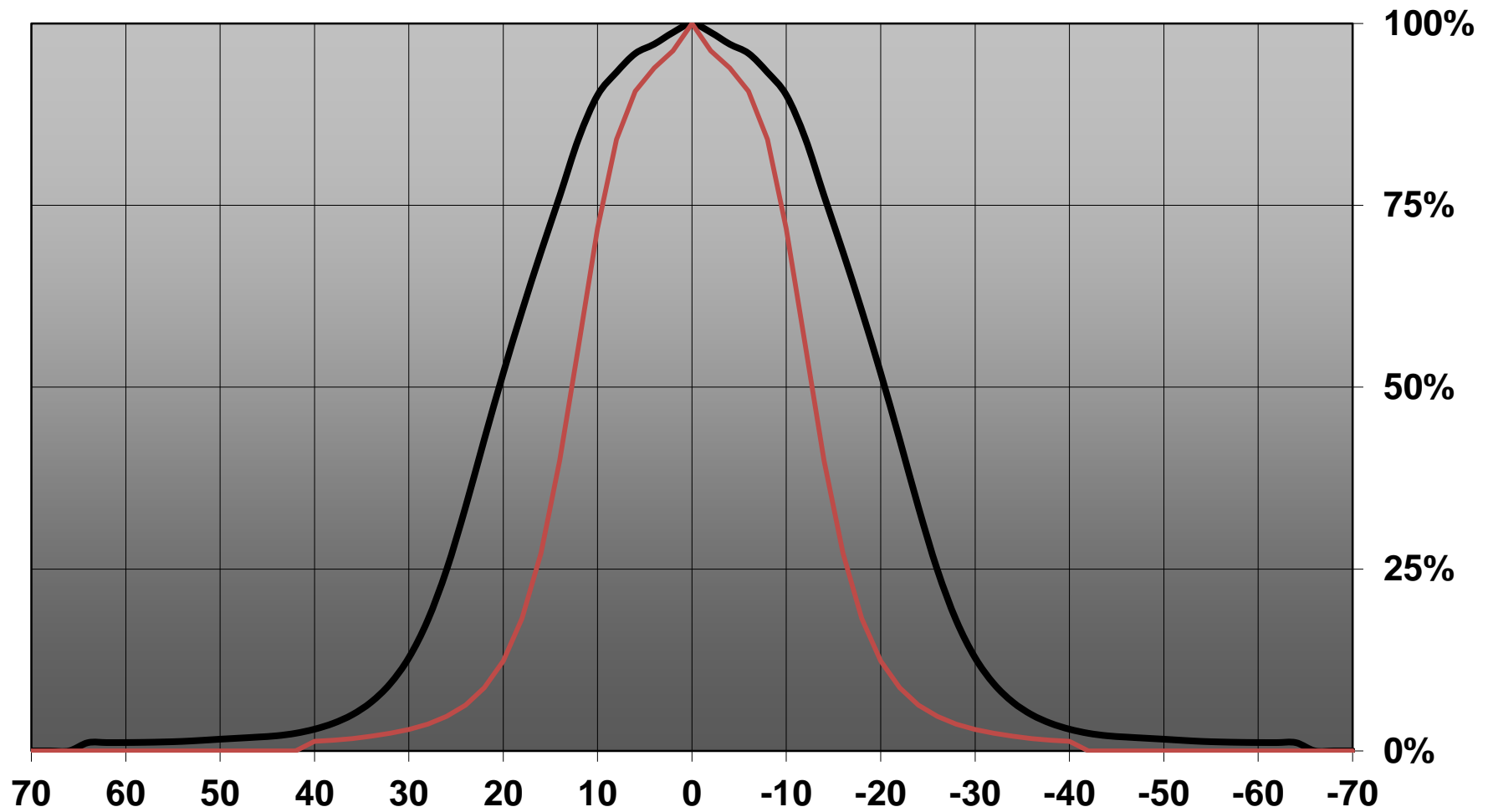
Relative intensity of FCA12792_IRIS-M & FCN12790_IRIS-M-XPE



Relative intensity of FCA12795_IRIS-O & FCN12791_IRIS-O-XPE



Relative intensity of FCA12795_IRIS-O & FCN12791_IRIS-O-XPE



D

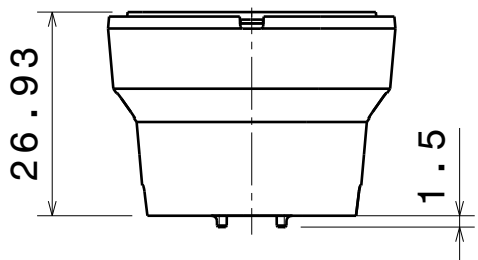
C

B

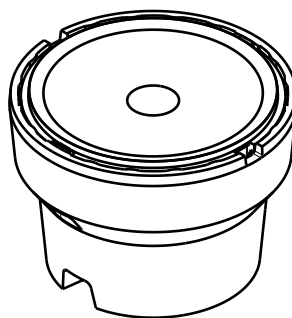
A

4

4

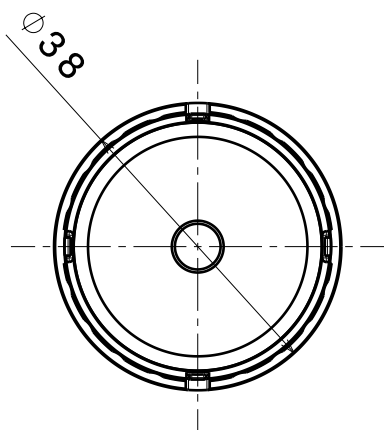


Front view

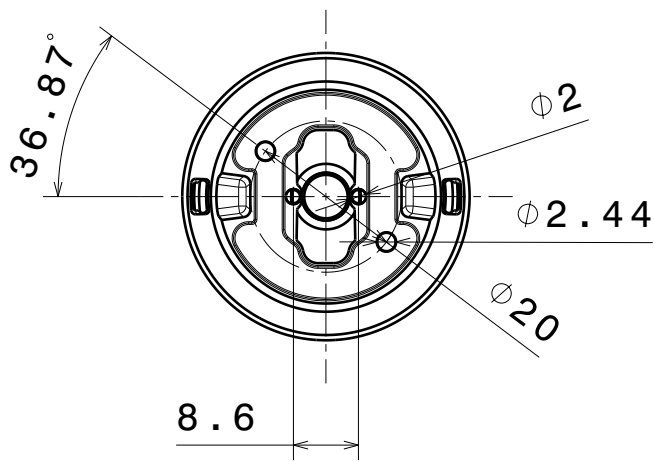
Isometric view
Scale: 1:1

3

3



Top view



Bottom view

2

2

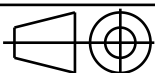
INDEX	PART NO	DESCRIPTION	MATERIAL	COLOUR
1	F12075	IRIS	PMMA	
2	C12202	IRIS-XP-HLD	PC	black

Tolerances if not otherwise shown
According to DIN ISO 2768-1
Linear measures:
Up to 30mm class M, otherwise class C.
According to DIN ISO 2768-2
Form and position: class L

LEDiL

Ledil Oy
Salorankatu 10
FIN 24240 SALO
Finland

THIRD ANGLE PROJECTION:



DRAWING TITLE

FCN12076_IRIS-SCREW

This drawing is the property
of LEDiL Oy. It may not be
reproduced, copied or
communicated without a written
agreement with LEDiL Oy.

SIZE PART NUMBER

A4

FCN12076

SCALE	1:1	WEIGHT	19,2 g	SHEET	1/1
-------	-----	--------	--------	-------	-----

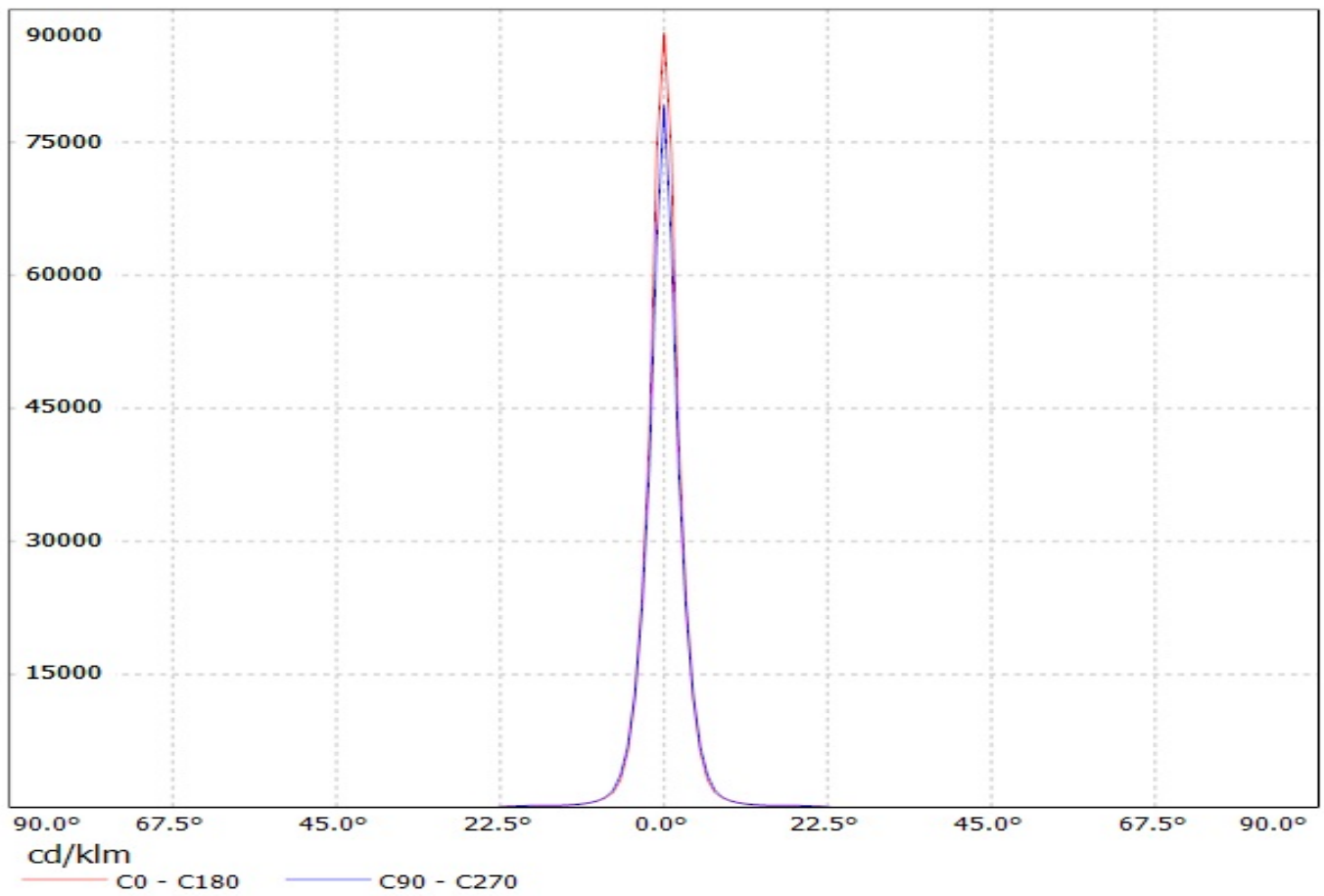
D

A

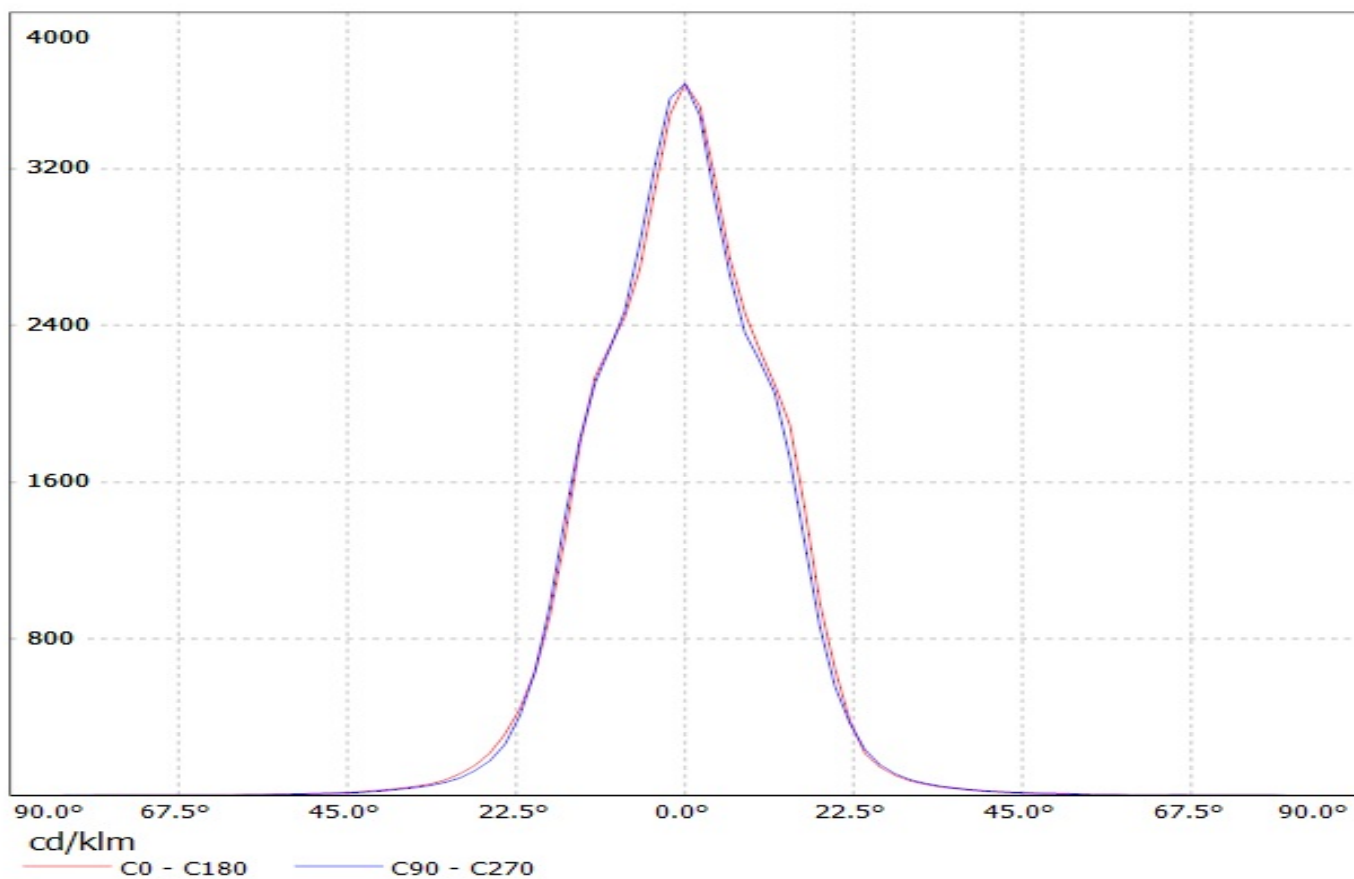
1

1

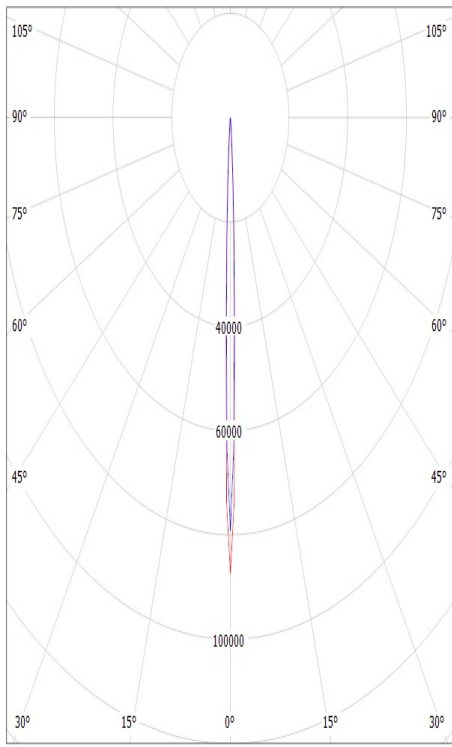
Luminaire: Ledil Oy C4F12077_Iris-XP-tape C4F12077_Iris-XP-tape LOR=95%
Lamps: 1 x Cree XP-E (white)



Luminaire: LEDil Oy FCN12790_IRIS-M_(XP-E) Efficiency=81%
Lamps: 1 x Cree XP-E (XPEWHT-L1-3C0-Q5-0-06) 78.4lm @ 250mA CCT=5500K P=0.8W I=250mA



Luminaire: Ledil Oy CAF12077_Iris-XP-tape CAF12077_Iris-XP-tape LOR=95%
Lamps: 1 x Cree XP-E (white)

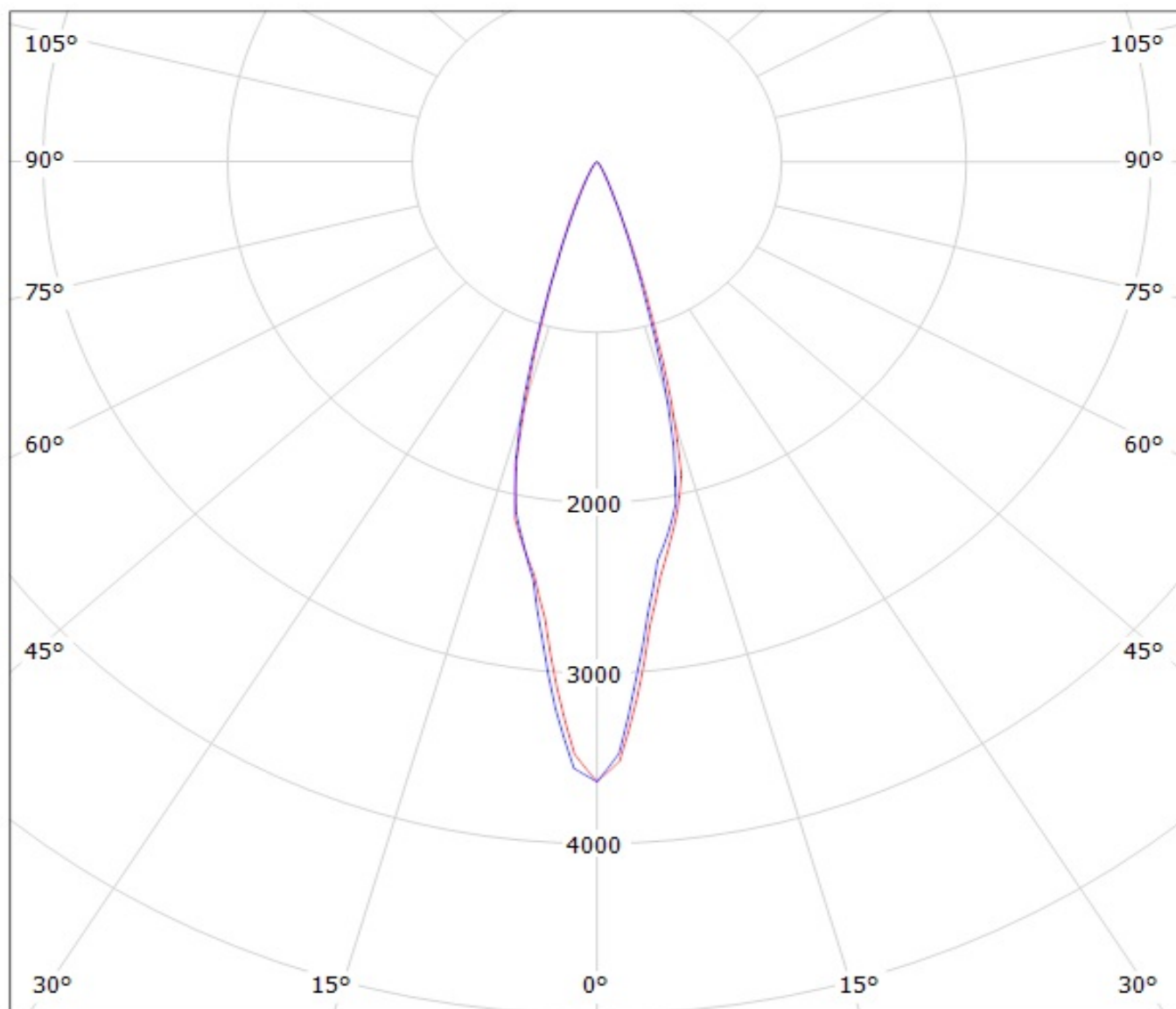


cd/klm

— C0 - C180 — C90 - C270

Luminaire: LEDil Oy FCN12790_IRIS-M_(XP-E) Efficiency=81%

Lamps: 1 x Cree XP-E (XPEWHT-L1-3C0-Q5-0-06) 78.4lm @ 250mA CCT=5500K P=0.8W I=250mA



cd/klm

— C0 - C180

— C90 - C270