

**Product number F14344\_FLORENCE-1R-ZT25**

Family	Florence	FWHM	Asymmetric degrees
Type	Lens	Efficiency	94 %
LED	CALGD0414-M8W1	cd/lm	0.940
Color	Clear	Gerber File	Available
Diameter	19.5 x 286 mm		
Height	7.13 mm		
Style	Rectang		
Optic Material	PMMA		
Holder Material	-		
Fastening	["glue"]		
Status	Production ready		

**Product number F14487\_FLORENCE-1R-MAXI-WG**

Family	Florence	FWHM	Asymmetric degrees
Type	Lens	Efficiency	92 %
LED	CALGD0414-M8W1	cd/lm	1.050
Color	Clear	Gerber File	Available
Diameter	21.65 x 286 mm		
Height	11.04 mm		
Style	Rectang		
Optic Material	PMMA		
Holder Material	-		
Fastening	""		
Status	Production ready		

**Product number C14530\_FLORENCE-1R-Z2T25**

Family	Florence	FWHM	Asymmetric degrees
Type	Lens	Efficiency	88 %
LED	CALGD0414-M8W1	cd/lm	0.460
Color	Clear	Gerber File	Available
Diameter	19.5 x 286 mm		
Height	6.4 mm		
Style	Rectang		
Optic Material	PMMA		
Holder Material	-		
Fastening	-		
Status	Production ready		

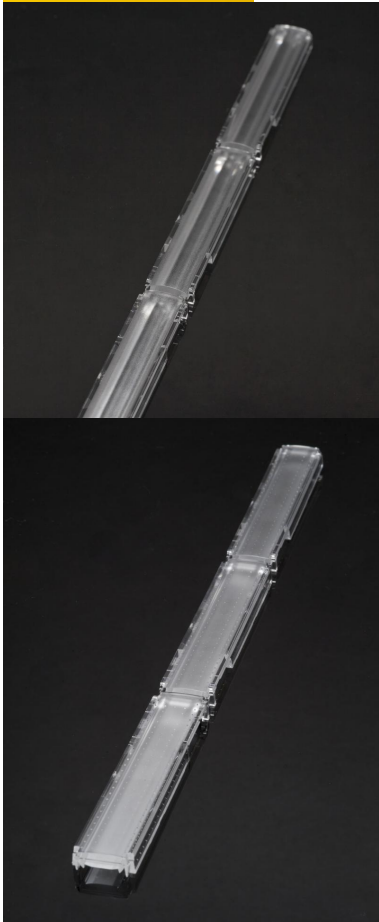
**Product number C14642\_FLORENCE-1R-UP**

Family	Florence	FWHM	Asymmetric degrees
Type	Lens	Efficiency	90 %
LED	CALGD0414-M8W1	cd/lm	0.370
Color	Clear	Gerber File	Available
Diameter	285.6 x 19.51 mm		
Height	6.91 mm		
Style	Rectang		
Optic Material	PMMA		
Holder Material	-		
Fastening	["clips"]		
Status	Production ready		

# PRODUCT DATASHEET

## Florence series

last update 26/1/2017

**Product number F14468\_FLORENCE-1R-Z60**

Family	Florence	FWHM	58+121 degrees
Type	Lens	Efficiency	94 %
LED	CALGD0414-M8W1	cd/lm	0.550
Color	Clear	Gerber File	Available
Diameter	19.5 x 286 mm		
Height	7.55 mm		
Style	Rectang		
Optic Material	PMMA		
Holder Material	-		
Fastening	["clips"]		
Status	Production ready		

**Product number F14304\_FLORENCE-1R-Z90**

Family	Florence	FWHM	89+115 degrees
Type	Lens	Efficiency	93 %
LED	CALGD0414-M8W1	cd/lm	0.380
Color	Clear	Gerber File	Available
Diameter	19.5 x 286 mm		
Height	7 mm		
Style	Rectang		
Optic Material	PMMA		
Holder Material	-		
Fastening	["clips"]		
Status	Production ready		

**NOTE: The typical divergence will be changed by different color, chip size and chip position tolerance. The typical total divergence is the full angle measured where the luminous intensity is half of the peak value.**



## PRODUCT DATASHEET

### Florence series

last update 26/1/2017

#### GENERAL INFORMATION

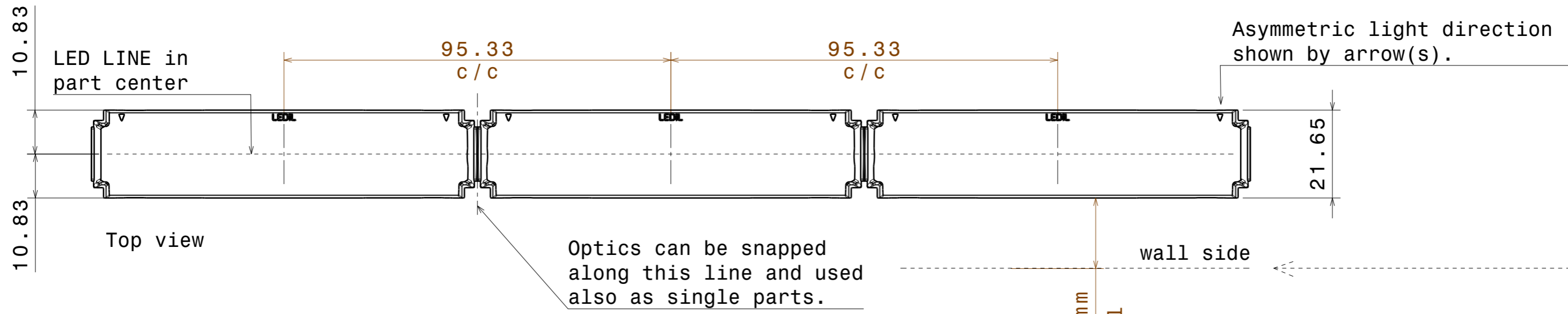
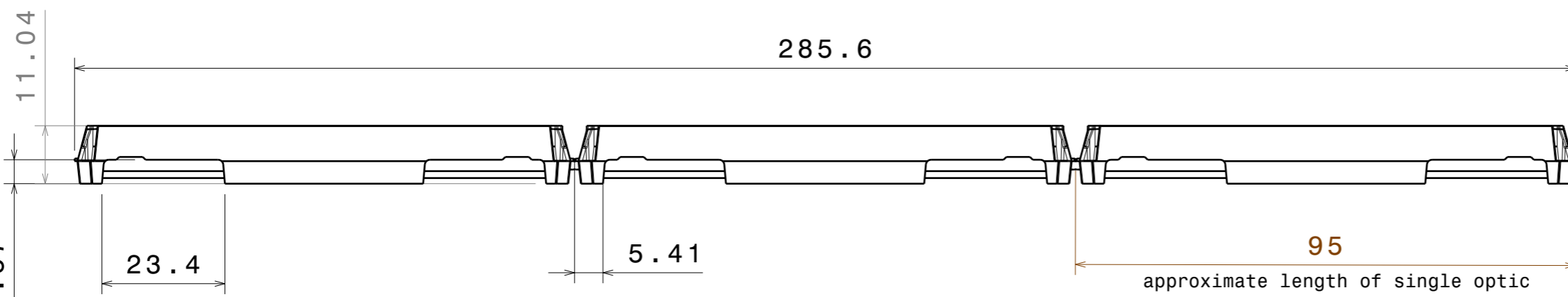
- Product series especially designed & optimized for CALGD0414-M8W1 series of LEDs.
- Special care taken to make light distribution as uniform as possible.
- Lens material optical grade PMMA with high UV and temperature resistance. Allows use of high current and temperature conditions.

Please find more information about used material from below:

[http://ledil.fi/sites/default/files/Documents/Technical/Material/PMMA%20N%20UL94\\_Yellow%20Card.pdf](http://ledil.fi/sites/default/files/Documents/Technical/Material/PMMA%20N%20UL94_Yellow%20Card.pdf)

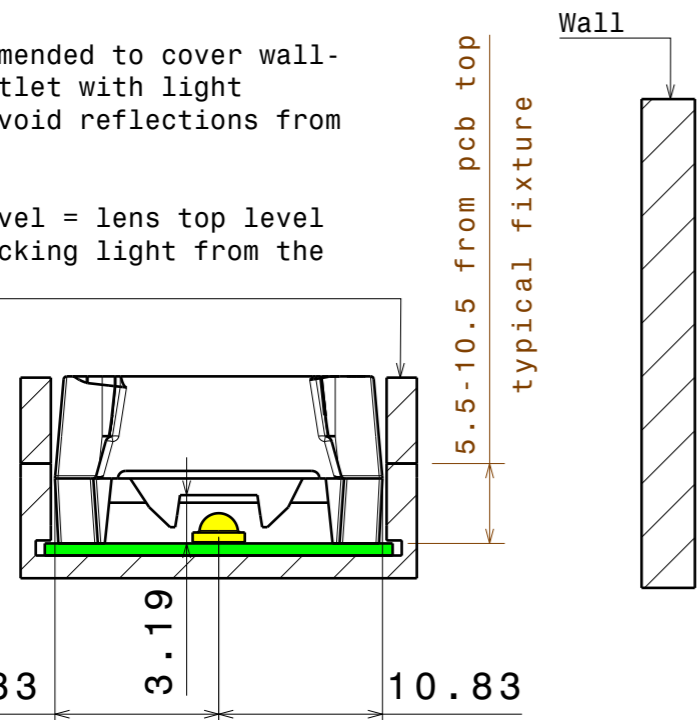
<http://ledil.fi/sites/default/files/Documents/Technical/Material/PMMA%20N%20PLEXIGLAS-Datasheet.pdf>

H G F E D C B A



Highly recommended to cover wall-side wire outlet with light fixture to avoid reflections from components.

Cover max level = lens top level to avoid blocking light from the wall.



INDEX	PART NO	DESCRIPTION	MATERIAL	COLOUR
1	C14487	FLORENCE-1R-MAXI-WG	PMMA	clear

Tolerances if not otherwise shown  
According to DIN ISO 2768-1  
Linear measures: class M  
According to DIN ISO 2768-2  
Form and position: class L

**LEDiL** LediL Oy  
Salorankatu 10  
FIN 24240 SALO  
Finland

THIRD ANGLE PROJECTION:

DRAWING TITLE  
**C14487\_FLORENCE-1R-MAXI-WG**

This drawing is the property of LEDiL Oy. It may not be reproduced, copied or communicated without a written agreement with LEDiL Oy.

SIZE	PART NUMBER
<b>A3</b>	<b>C14487</b>

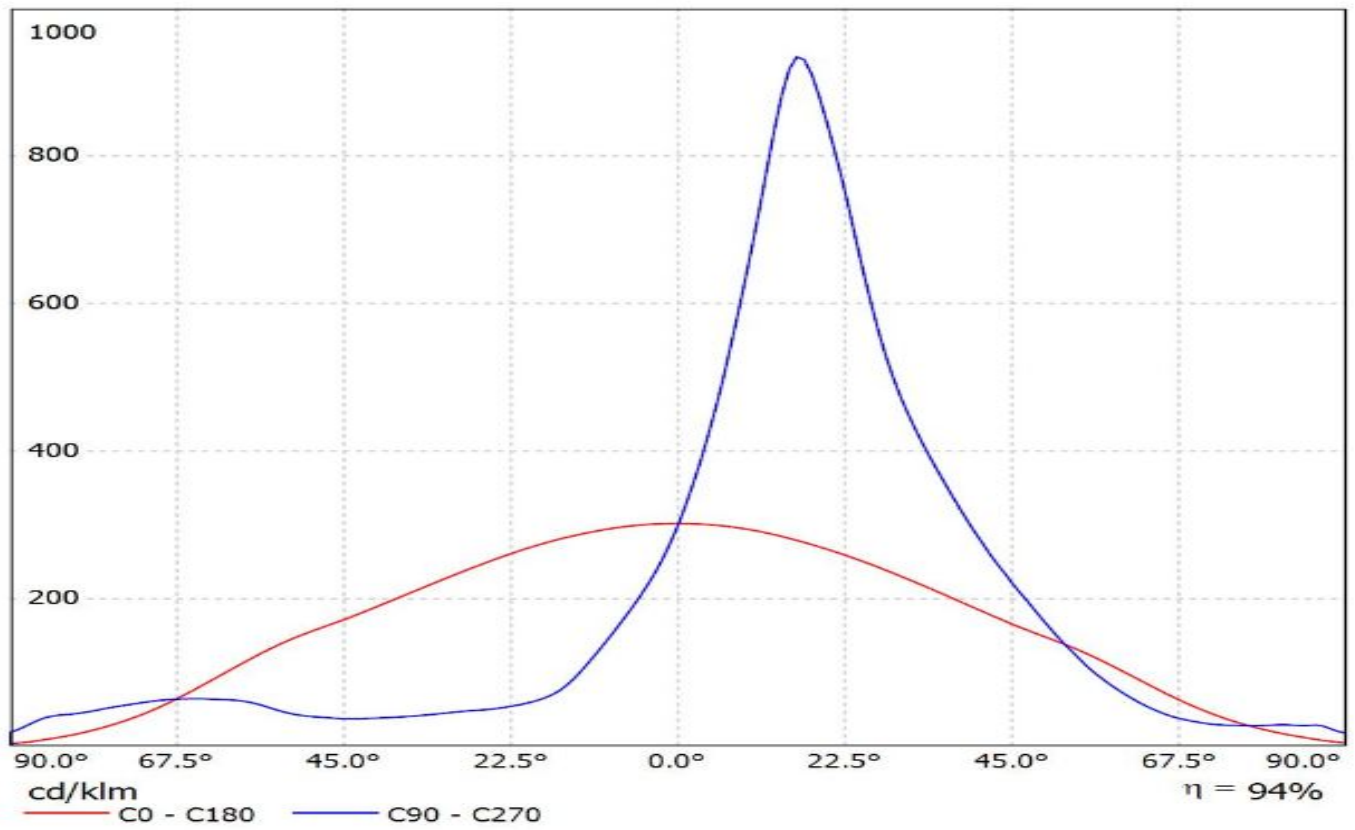
SCALE	1:1	WEIGHT		SHEET	1/1
-------	-----	--------	--	-------	-----

H G B A

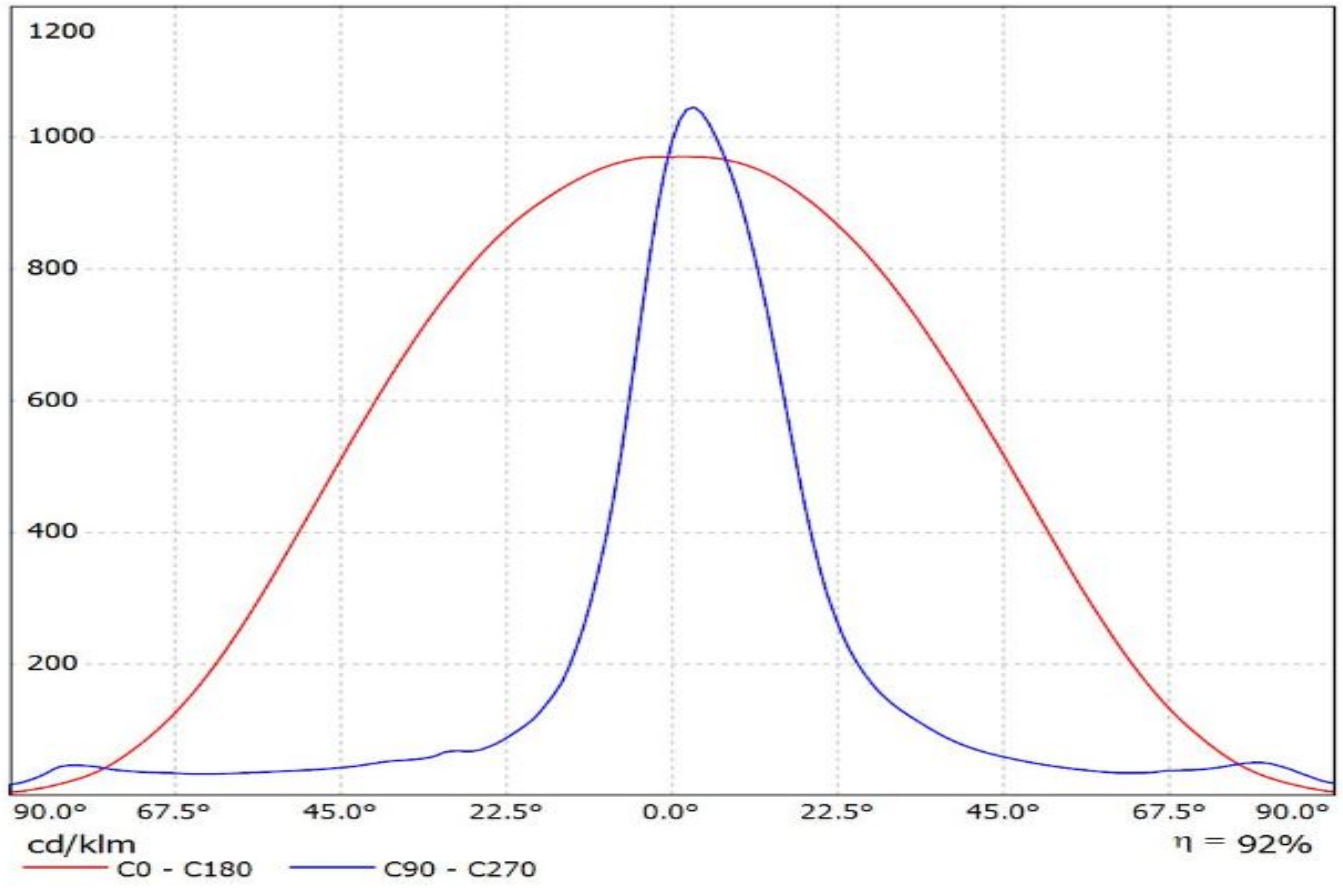
# Ledil F14344\_FLORENCE-1R-ZT2\_(CALGD0414-M8W1) / LDC (Linear)

Luminaire: Ledil F14344\_FLORENCE-1R-ZT2\_(CALGD0414-M8W1)

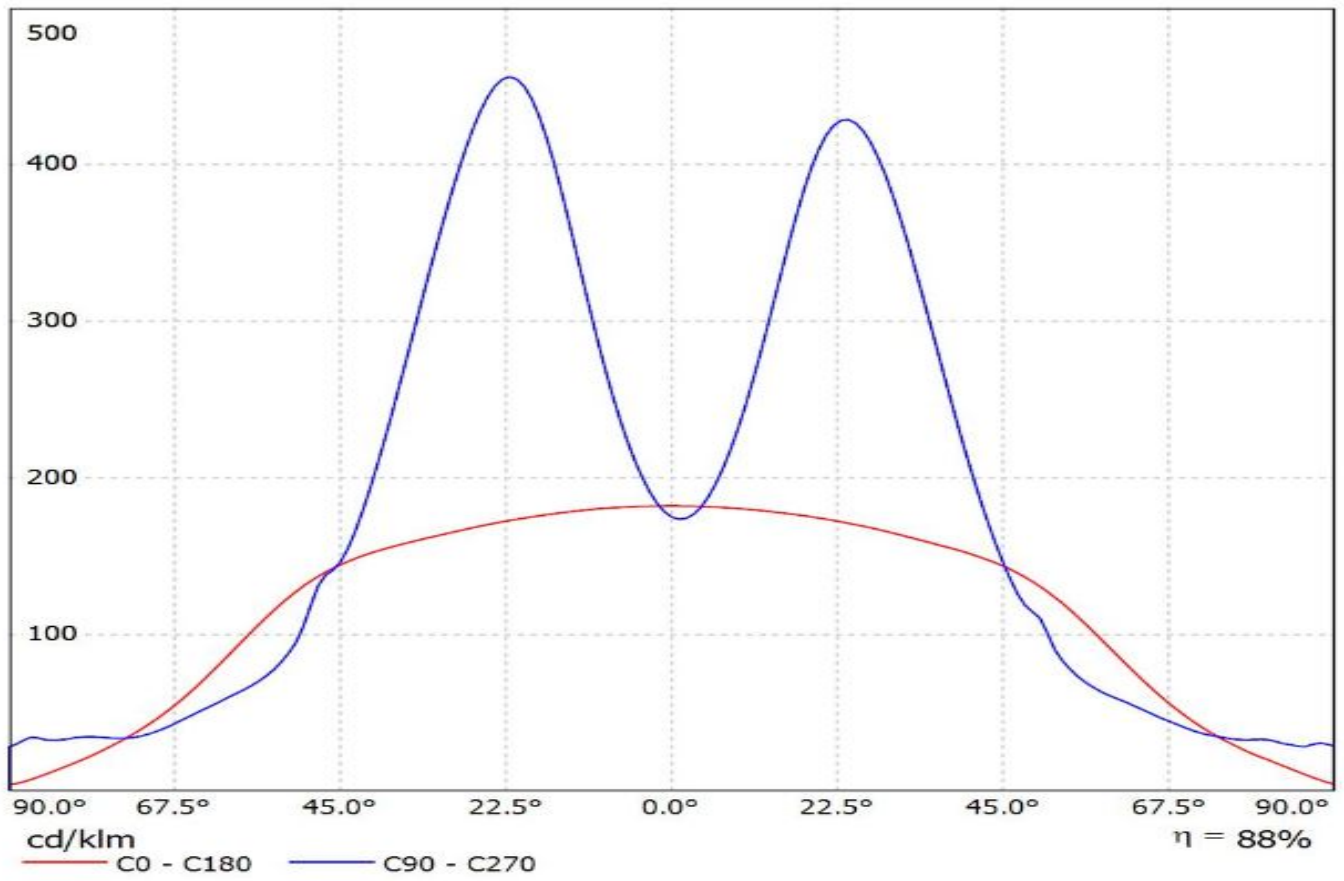
Lamps: 1 x Citizen\_CALGD0414-M8W1\_556.672lm@350mA\_P=4.0291W\_I=0.3499A



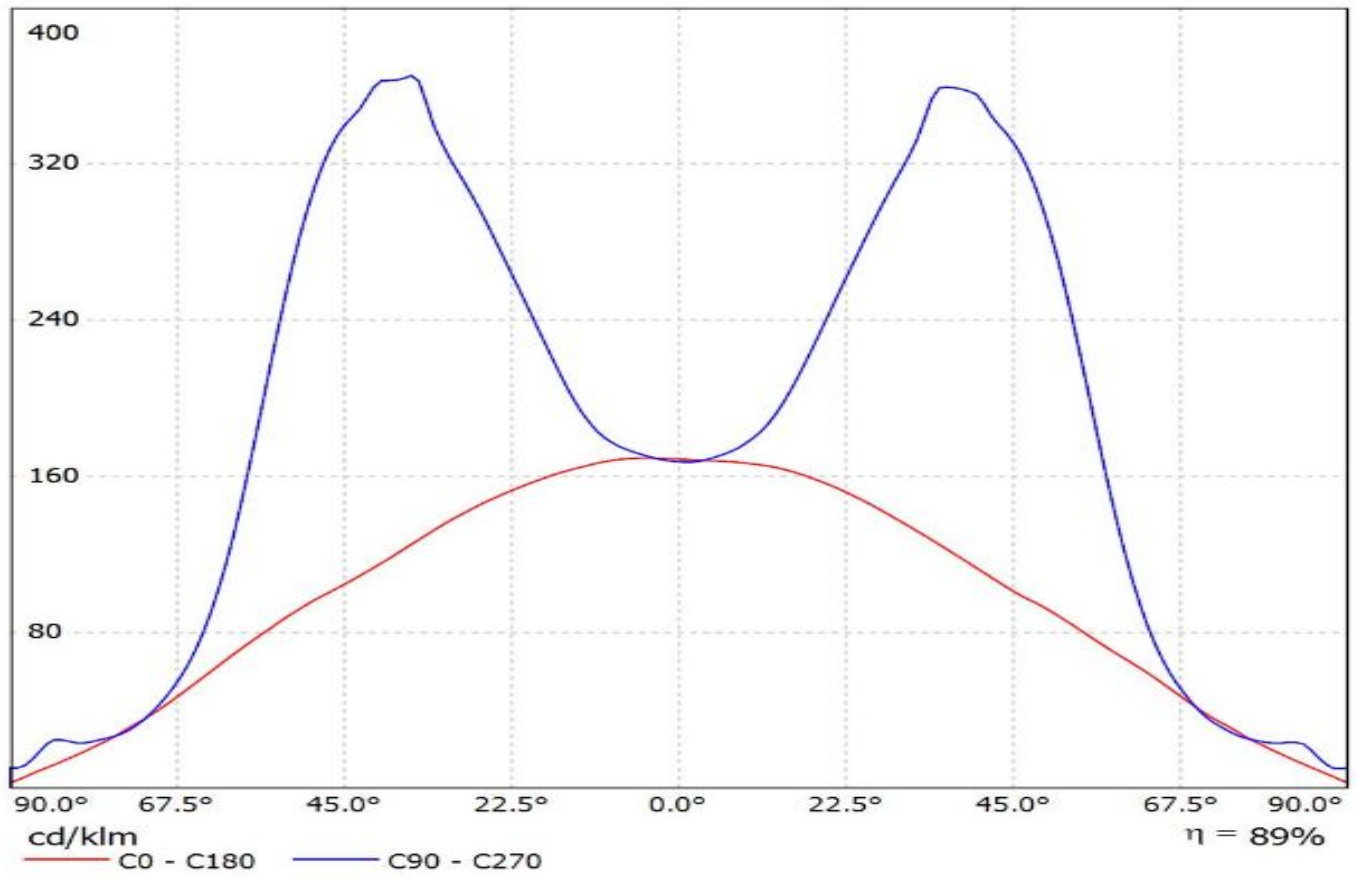
Luminaire: Ledil F14487\_FLORENCE-1R-MAXI-WG\_(CALGD0414-M8W1)  
Lamps: 1 x Citizen\_(CALGD0414-M8W1)\_556.672lm@350mA\_P=4.0291W\_I=0.3499A



Luminaire: Ledil C14530\_FLORENCE-1R-Z2T25\_(CALGD0414-M8W1)  
Lamps: 1 x Citizen\_CALGD0414-M8W1\_556.672lm@350mA\_P=4.0291W\_I=0.3499A

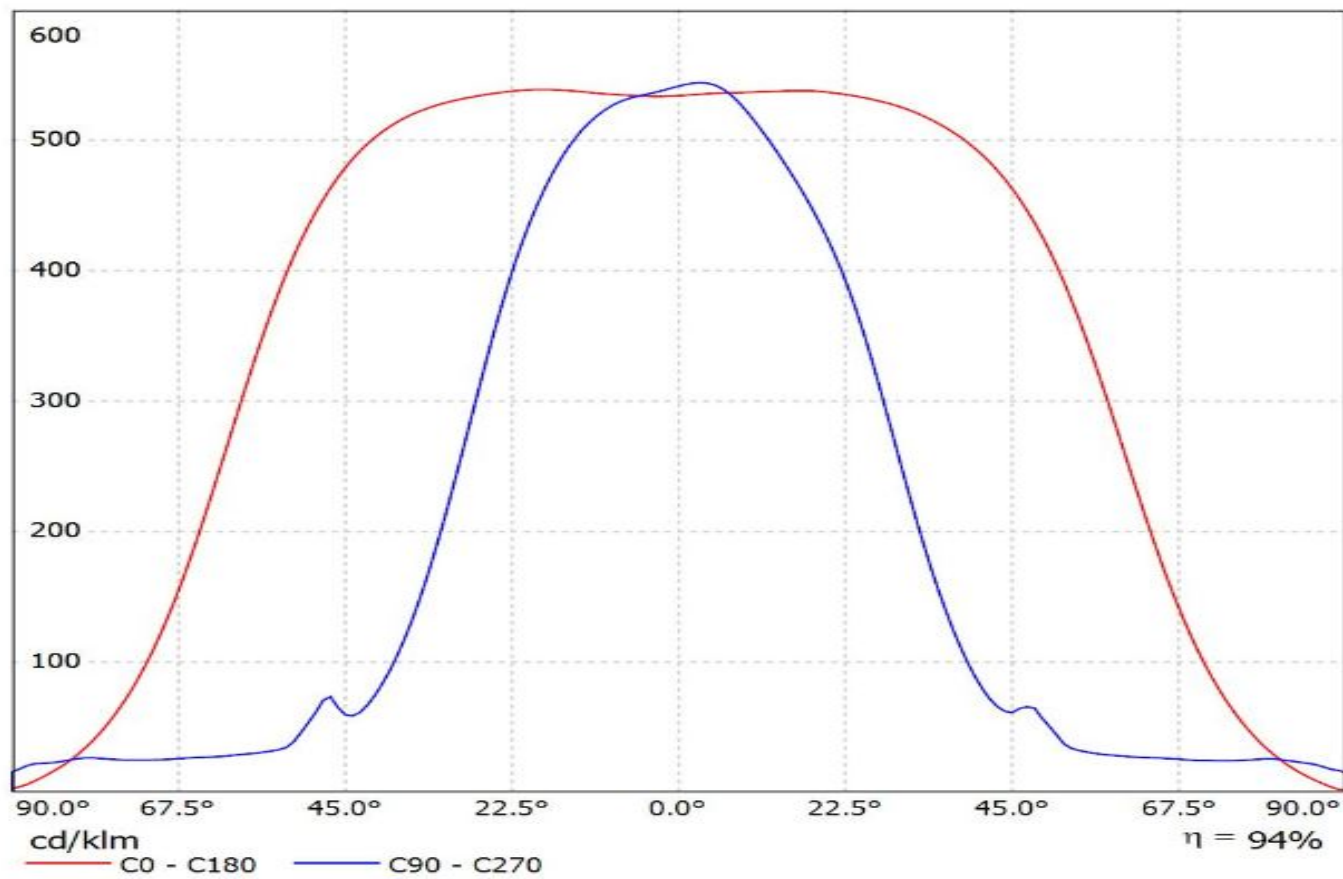


Luminaire: Ledil C14642\_FLORENCE-1R-UP\_(CALGD0414-M8W1)  
Lamps: 1 x Citizen\_CALGD0414-M8W1\_533lm@350mA\_P=4.0291W\_I=0.3499A

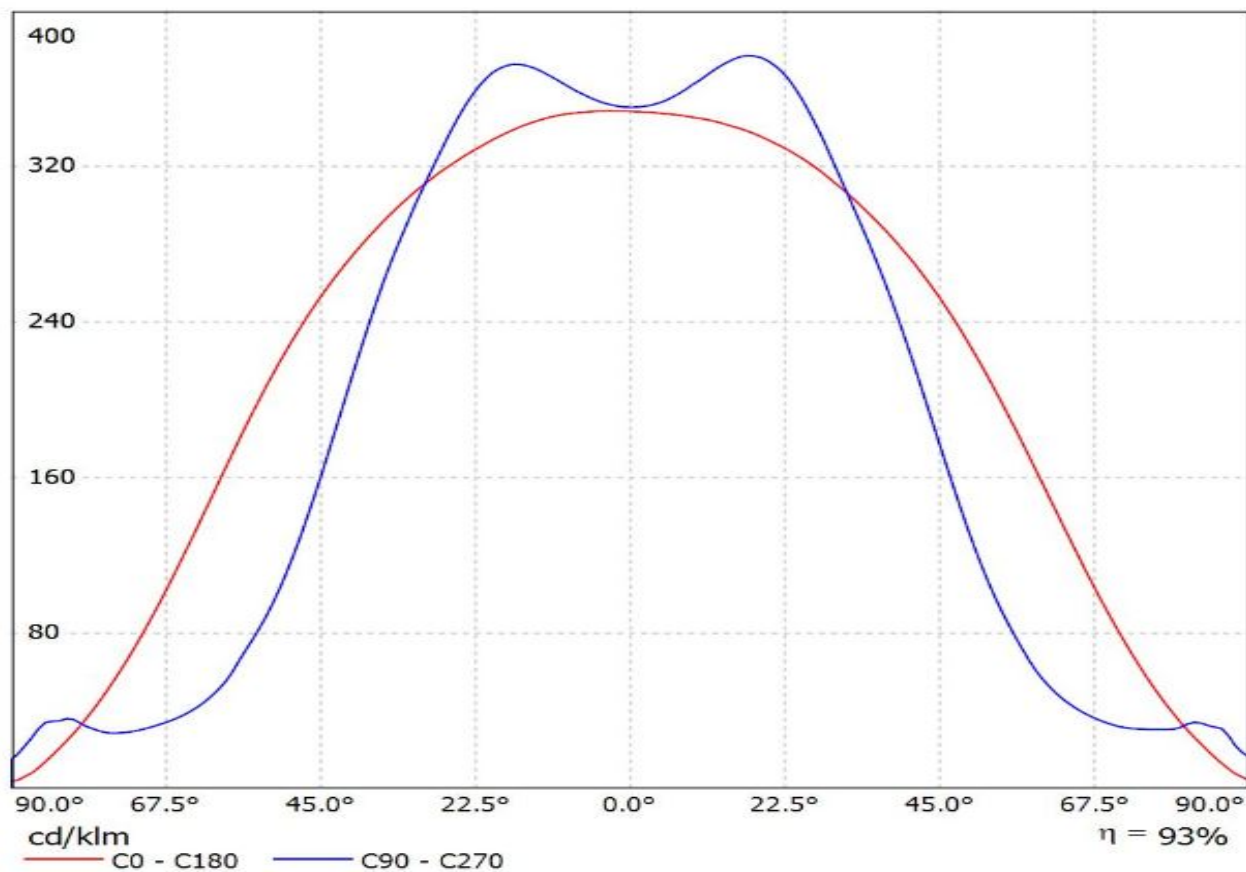




Luminaire: Ledil F14468\_FLORENCE-1R-Z60\_(CALGD0414-M8W1)  
Lamps: 1 x CALGD0414-M8W1\_551.561lm@350mA\_P=4.0250W\_I=0.35A



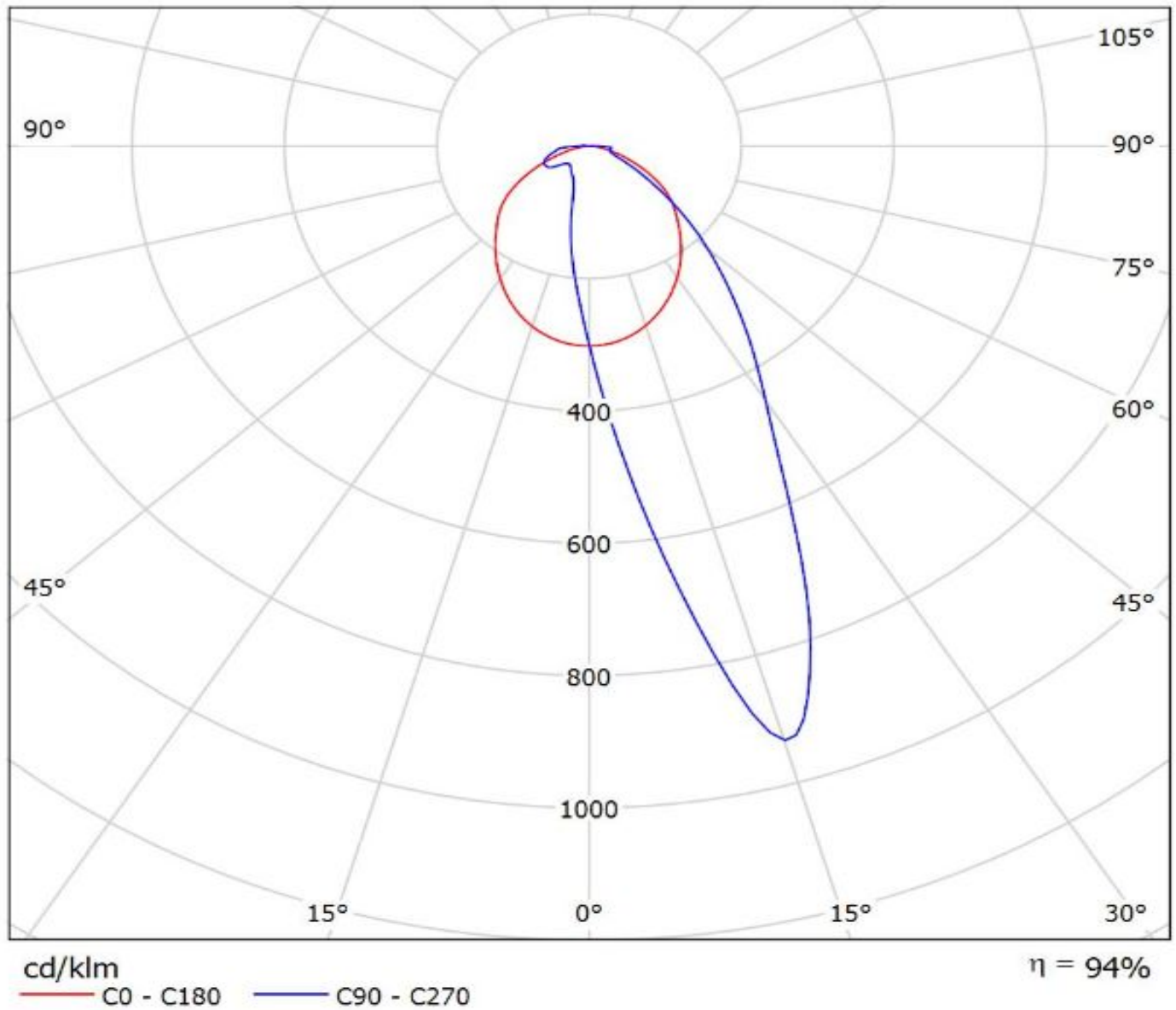
Luminaire: Ledil F14304\_FLORENCE-1R-Z90\_(CALGD0414-M8W1)  
Lamps: 1 x Citizen\_CALGD0414-M8W1\_556.672lm@350mA\_P=4.0291W\_I=0.3499A



# Ledil F14344\_FLORENCE-1R-ZT2\_(CALGD0414-M8W1) / LDC (Polar)

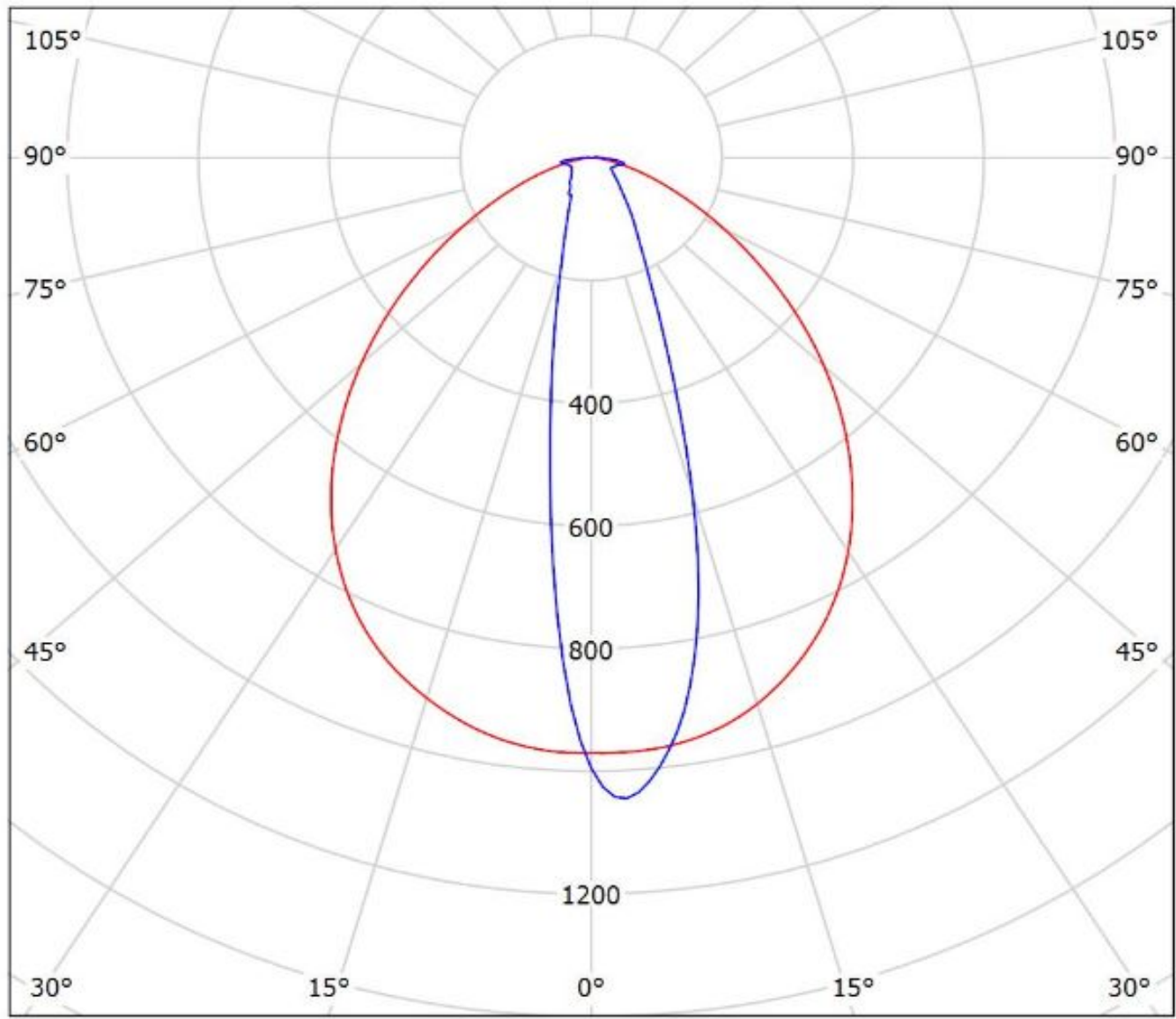
Luminaire: Ledil F14344\_FLORENCE-1R-ZT2\_(CALGD0414-M8W1)

Lamps: 1 x Citizen\_CALGD0414-M8W1\_556.672lm@350mA\_P=4.0291W\_I=0.3499A



Luminaire: Ledil F14487\_FLORENCE-1R-MAXI-WG\_(CALGD0414-M8W1)

Lamps: 1 x Citizen\_(CALGD0414-M8W1)\_556.672lm@350mA\_P=4.0291W\_I=0.3499A



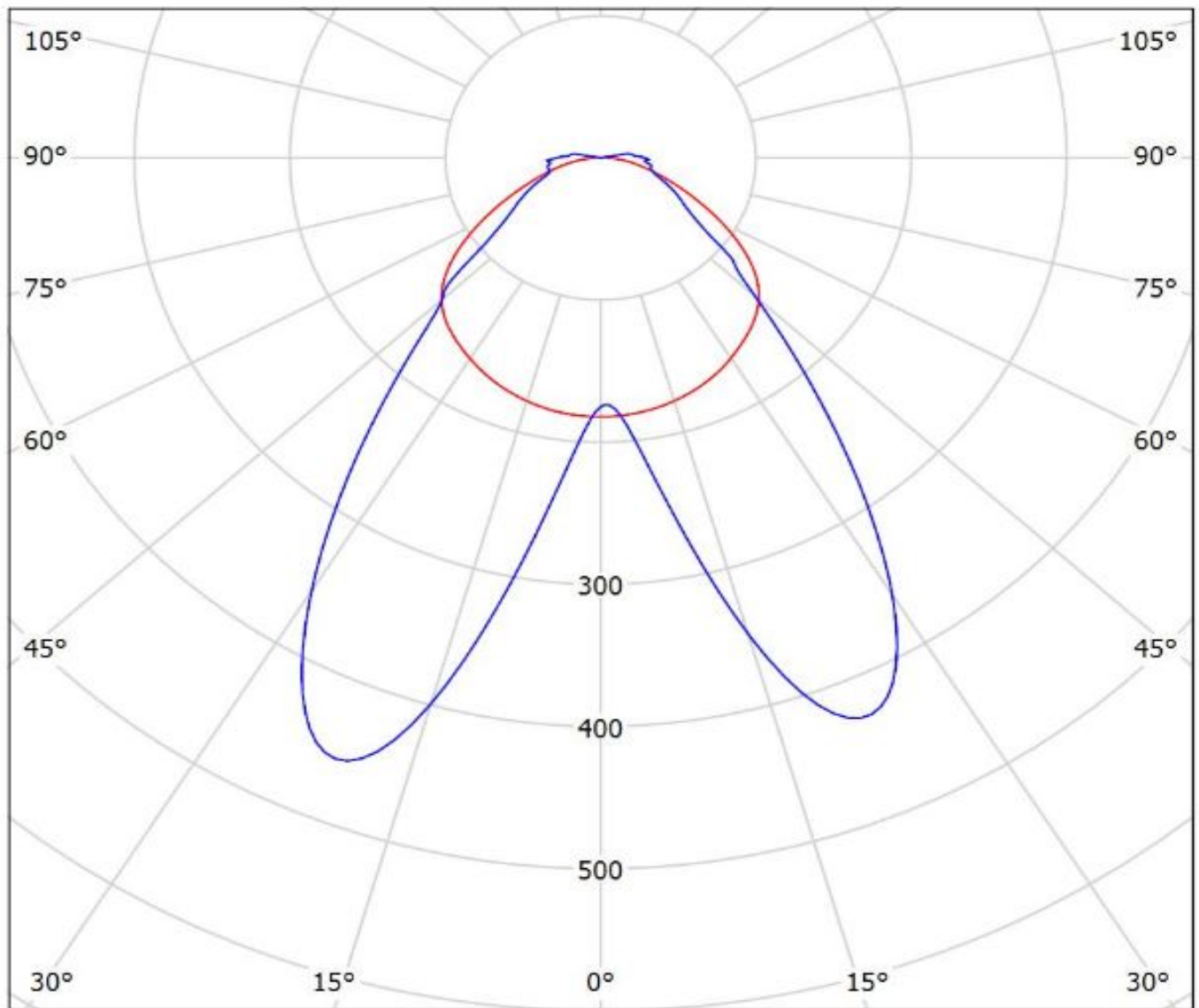
cd/klm

— C0 - C180    — C90 - C270

$\eta = 92\%$

Luminaire: Ledil C14530\_FLORENCE-1R-Z2T25\_(CALGD0414-M8W1)

Lamps: 1 x Citizen\_CALGD0414-M8W1\_556.672lm@350mA\_P=4.0291W\_I=0.3499A



cd/klm

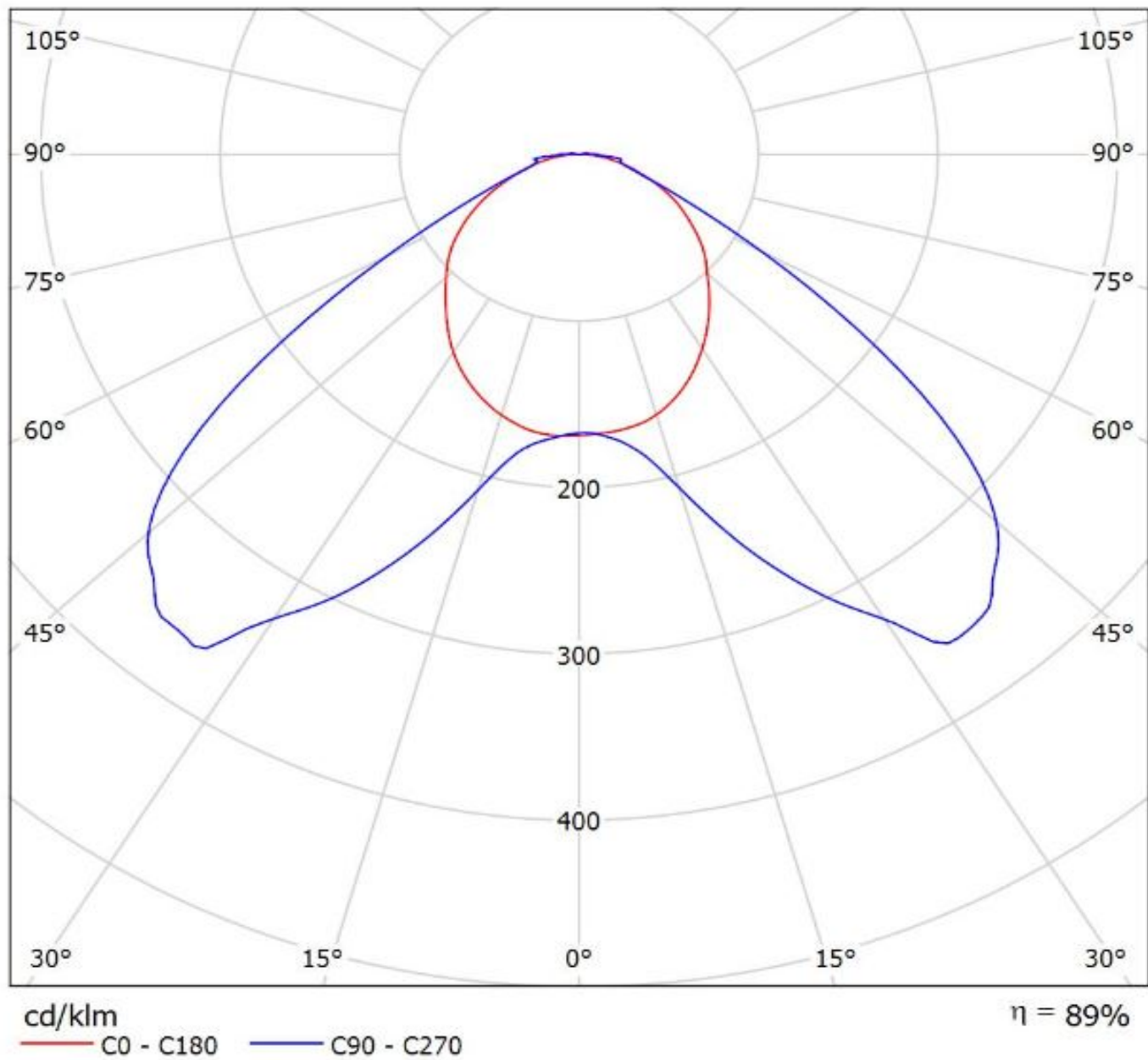
— C0 - C180

— C90 - C270

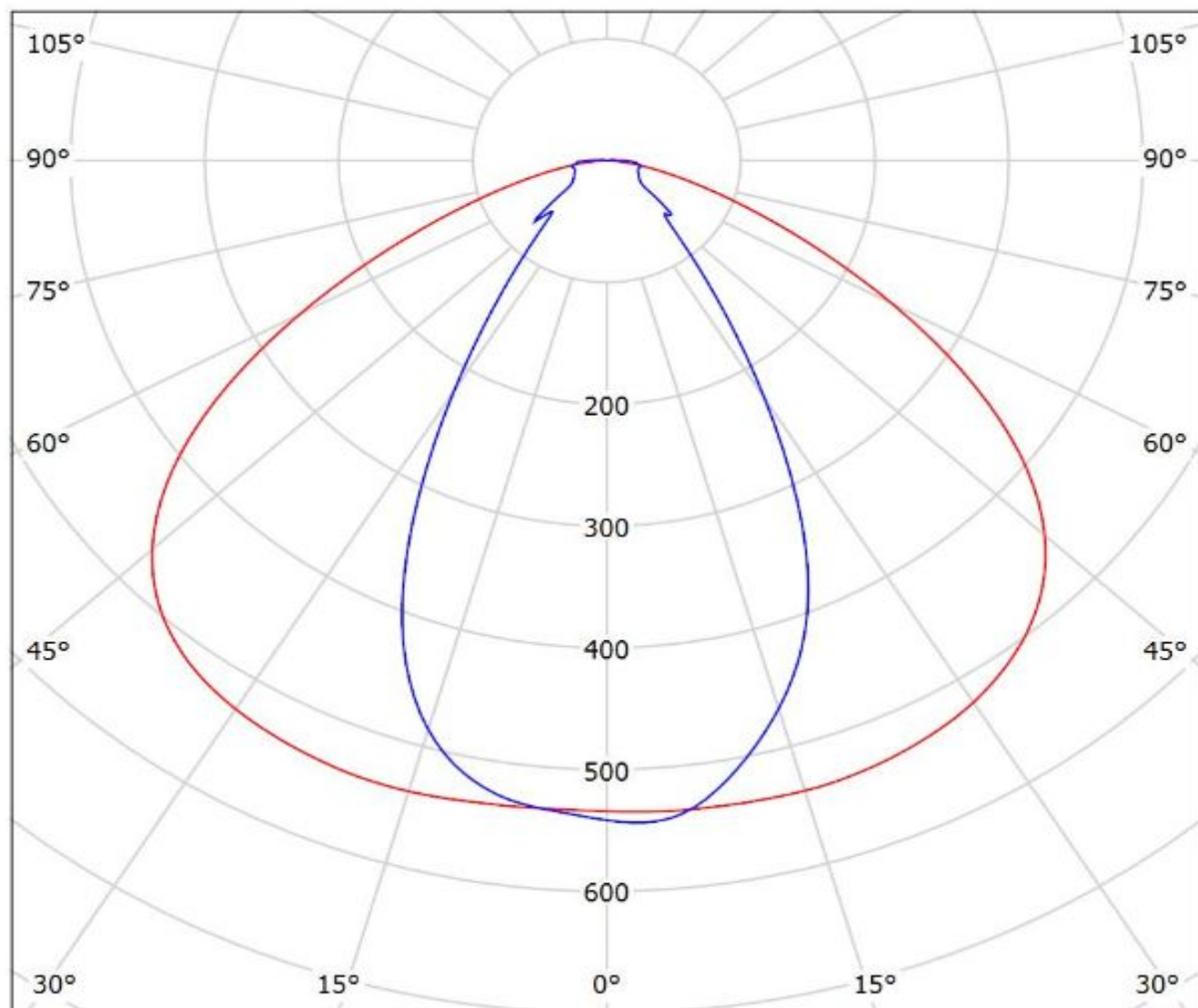
$\eta = 88\%$

Luminaire: Ledil C14642\_FLORENCE-1R-UP\_(CALGD0414-M8W1)

Lamps: 1 x Citizen\_CALGD0414-M8W1\_533lm@350mA\_P=4.0291W\_I=0.3499A



Luminaire: Ledil F14468\_FLORENCE-1R-Z60\_(CALGD0414-M8W1)  
Lamps: 1 x CALGD0414-M8W1\_551.561lm@350mA\_P=4.0250W\_I=0.35A



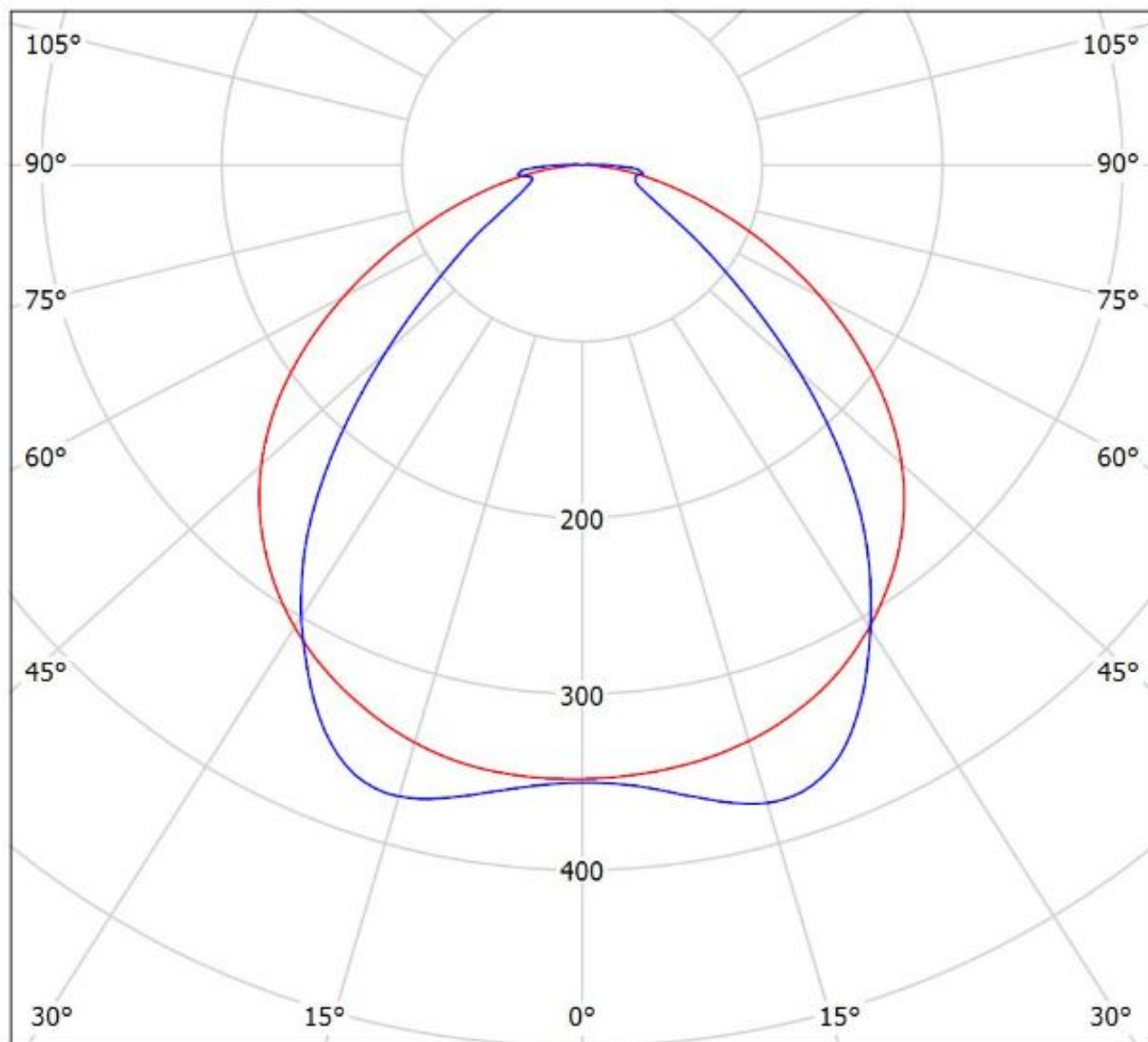
cd/klm

— C0 - C180 — C90 - C270

$\eta = 94\%$

Luminaire: Ledil F14304\_FLORENCE-1R-Z90\_(CALGD0414-M8W1)

Lamps: 1 x Citizen\_CALGD0414-M8W1\_556.672lm@350mA\_P=4.0291W\_I=0.3499A



cd/klm

— C0 - C180 — C90 - C270

$\eta = 93\%$