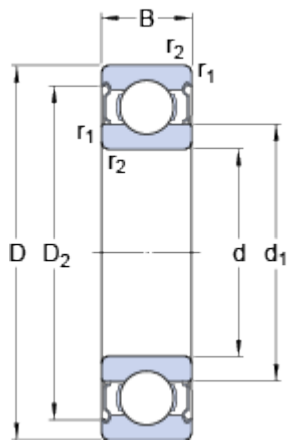


629-2Z

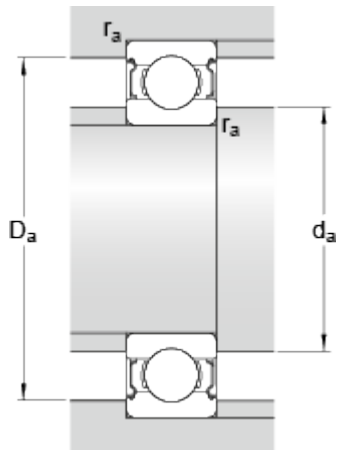
SKF Explorer

Dimensions



| | | | |
|-----------|------|------|----|
| d | | 9 | mm |
| D | | 26 | mm |
| B | | 8 | mm |
| d_1 | ≈ | 14.8 | mm |
| D_2 | ≈ | 22.6 | mm |
| $r_{1,2}$ | min. | 0.3 | mm |

Abutment dimensions



| | | | |
|-------|------|------|----|
| d_a | min. | 11.4 | mm |
| d_a | max. | 14.7 | mm |
| D_a | max. | 23.6 | mm |
| r_a | max. | 0.3 | mm |

Calculation data

| | | | |
|---------------------------|-------|-------|-------|
| Basic dynamic load rating | C | 4.8 | kN |
| Basic static load rating | C_0 | 2 | kN |
| Fatigue load limit | P_u | 0.083 | kN |
| Reference speed | | 60000 | r/min |
| Limiting speed | | 30000 | r/min |
| Calculation factor | k_r | 0.025 | |
| Calculation factor | f_0 | 12 | |

Mass

| | | | |
|--------------|--|-------|----|
| Mass bearing | | 0.021 | kg |
|--------------|--|-------|----|