

# Customer Information Sheet

DRAWING No.: M80-850XXX

SHEET 2 OF 2

IF IN DOUBT - ASK

(C)

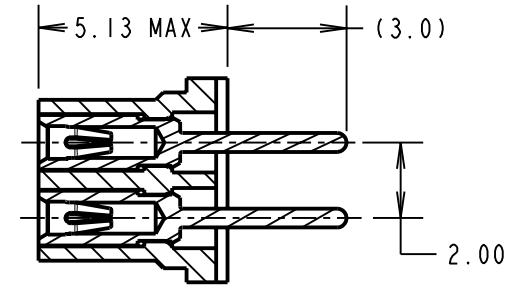
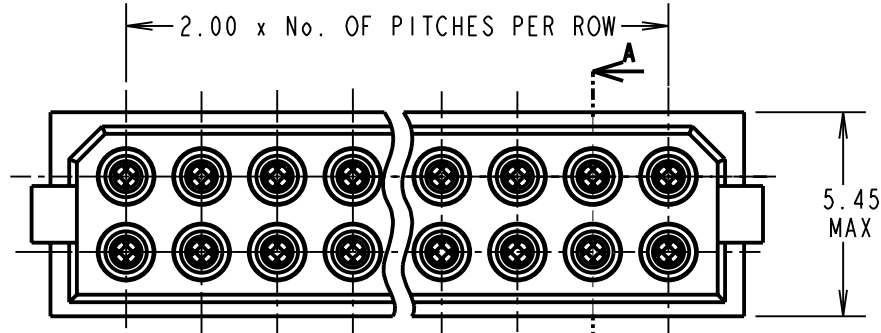
NOT TO SCALE

THIRD ANGLE PROJECTION

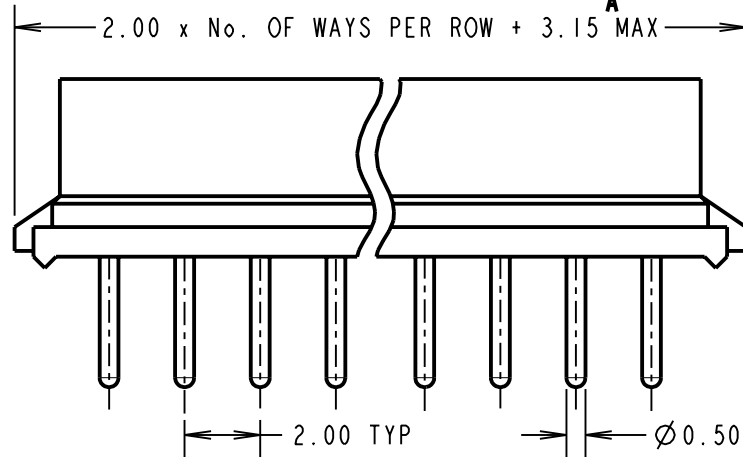
ALL DIMENSIONS IN mm

**SPECIFICATIONS:**

- MATERIAL:**  
 Moulding = POLYAMIDE 46 UL94V-0, BLACK  
 CONTACTS = BERYLLIUM COPPER
- FINISH:**  
 CONTACTS:  
 45 = 0.30µ GOLD CLIP, 0.28µ GOLD SHELL  
 42 = 0.30µ GOLD CLIP, 4.0µ 100% TIN SHELL
- ELECTRICAL:**  
 CURRENT RATING (25°C) = 3.0A MAX.  
 CURRENT RATING (85°C) = 2.2A MAX.  
 WORKING VOLTAGE = 120V AC/DC  
 VOLTAGE PROOF = 360V AC/DC  
 CONTACT RESISTANCE:  
 INITIAL = 20 mΩ MAX.  
 AFTER CONDITIONING = 25 mΩ MAX.  
 INSULATION RESISTANCE:  
 INITIAL = 1000 MΩ MIN.  
 AFTER CONDITIONING = 100 MΩ MIN.
- MECHANICAL:**  
 DURABILITY = 500 OPERATIONS
- ENVIRONMENTAL:**  
 TEMPERATURE RANGE = -55°C TO +125°C
- PACKING:**  
 TUBE
- FOR COMPLETE SPECIFICATION, SEE COMPONENT SPECIFICATION C005XX (LATEST ISSUE)



SECTION A-A



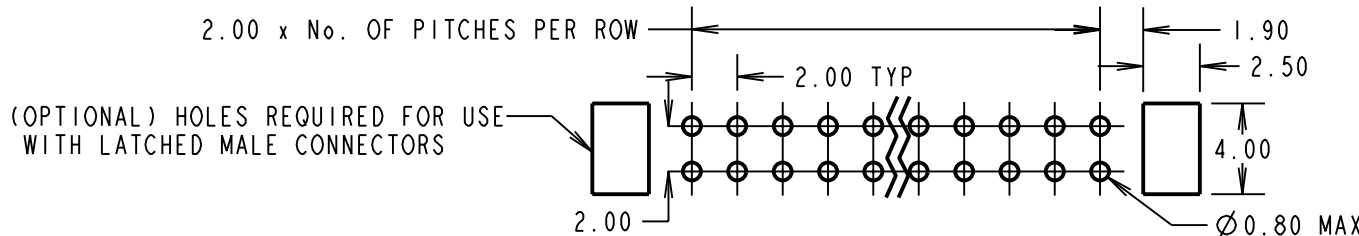
ORDER CODE:

**M80-850XXX**

TOTAL No. OF WAYS \_\_\_\_\_  
 04, 06, 08, 10, 12, 14, 16,  
 18, 20, 26, 34, 44

FINISH: \_\_\_\_\_  
 45 = GOLD SHELL, GOLD CLIP  
 42 = 100% TIN SHELL, GOLD CLIP

RA	8	01.10.09	10502
NAME	ISS.	DATE	C/NOTE
APPROVED:		R.ADDE	
CHECKED:		M.G.PLESTED	
DRAWN:		I. SANDY	
CUSTOMER REF.:			
ASSEMBLY DRG.:			



**HARWIN**

HARWIN USA  
 TEL: 603 893 5376  
 FAX: 603 893 5396  
 mis@harwin.com

HARWIN Europe (UK)  
 TEL: 023 9231 4545  
 FAX: 023 9231 4590  
 mis@harwin.co.uk

HARWIN Asia  
 TEL: +65 6 779 4909  
 FAX: +65 6 779 3868  
 mis@harwin.com.sg

THIS DRAWING AND ANY INFORMATION OR DESCRIPTIVE MATTER SET OUT HEREON ARE CONFIDENTIAL AND COPYRIGHT PROPERTY OF THE HARWIN GROUP AND MUST NOT BE DISCLOSED, LOANED, COPIED OR USED FOR MANUFACTURING, TENDERING OR FOR ANY OTHER PURPOSE WITHOUT THEIR WRITTEN PERMISSION.

**TOLERANCES**  
 X. = ±1mm  
 X.X = ±0.25mm  
 X.XX = ±0.10mm  
 X.XXX = ±0.01mm  
 ANGLES = ±5°  
 UNLESS STATED

**MATERIAL:**  
 SEE ABOVE

**FINISH:** SEE ABOVE

**S/AREA:** mm<sup>2</sup>

**TITLE:** DATAMATE DIL VERTICAL PC TAIL SOCKET ASSEMBLY (RoHS)

**DRAWING NUMBER:** M80-850XXX

SHT 2 OF 2