

För icke direkt toleranssatta mått gäller toleransklass

General tolerances if not otherwise stated



Rev	Change order	Change: A = Added W = Was D = Deleted	Date	Sign
3	1029251000	D 4100-6704H 4100-3024 A 4101-4623P 4101-4624	070115	SE

NOM DIM MM		TOL CLASS		
From	To	A	B	C
(1)	6	±0.05	±0.1	±0.2
(6)	30	±0.1	±0.2	±0.5
(30)	100	±0.15	±0.3	±0.8
(100)	300	±0.2	±0.5	±1.2
(300)	1000	±0.3	±0.8	±2

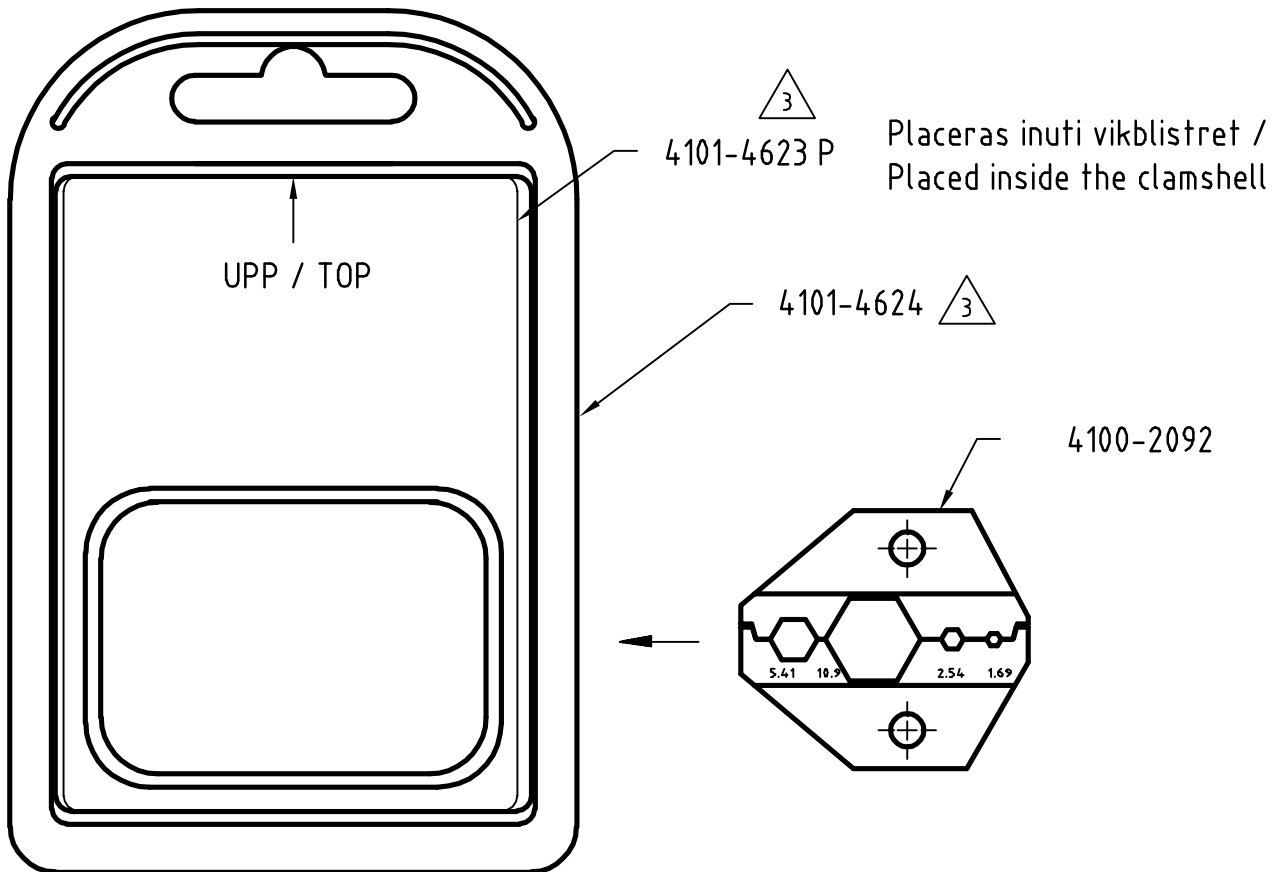
Hål / Holes H13


Skarpa kanter brutna där ej annat anges.  
No sharp edges unless otherwise specified.

Övriga generella toleranser enligt ritning 4100-4644.  
Additional general tolerances in accordance with drawing 4100-4644.

Tolkmått / Gauge dimensions (mm)		
URTAG NEST	Gåtolk GO	Stopptolk NO GO
5.41	∅5.36	∅5.46
10.90	∅10.85	∅10.95
2.54	∅2.49	∅2.59
1.69	∅1.66	∅1.72

Denna ritning är Pressmaster AB:s egendom. Skyddad av gällande lag.  
This drawing is the property of Pressmaster AB. Protected in accordance with prevailing law.



Material		Behandling/Treatment			Status Prel.utc.	
Konstr./Design MN	Ritad/Drawn TGW	Datum/Date 2007-01-15	Skala/Scale 1:1	Kontr./Checked	Godk./Approved	Ämne/Blank
<b>pressmaster</b> <sup>®</sup> 			Benämning/Denomination RESERVDELSSET CCC 2511 SPARE PARTS KCC 2511		Vikt/Weight, gran 43001584	Art grp 011 REV 003