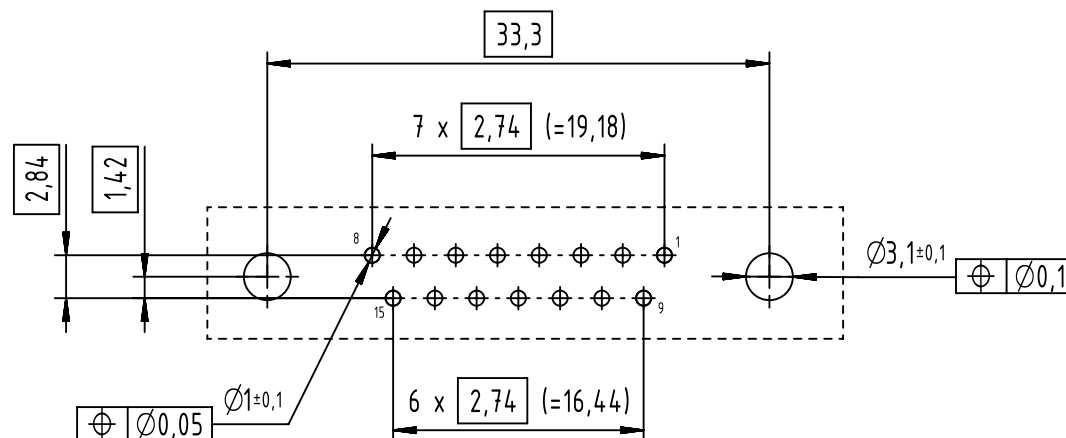
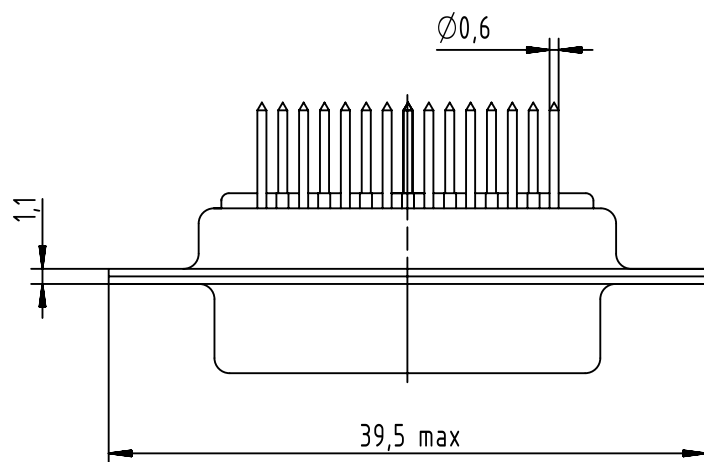


PC-Board layout  
view component side



09 67 015 4755	PL2
09 67 015 4754	PL3
Part number	Performance level

	All Dimensions in mm Original Size DIN A4	Scale 2:1	Free size tol.		Ref.
	All rights reserved Department EC PD - FR	Created by SONN	Inspected by BAGDIKIAN	Standardisation HOFFMANN	Sub.
	HARTING Electronics GmbH D-32339 Espelkamp	Title D-Sub 15-Pole Female Straight			Date 2014-06-02
		Type TB	Number 0967015475X		State Final Release
					Doc-Key / ECM-Nr. 100577982/UGD/000/A 500000074980
					Rev. <b>A</b>
					Page 1/1