

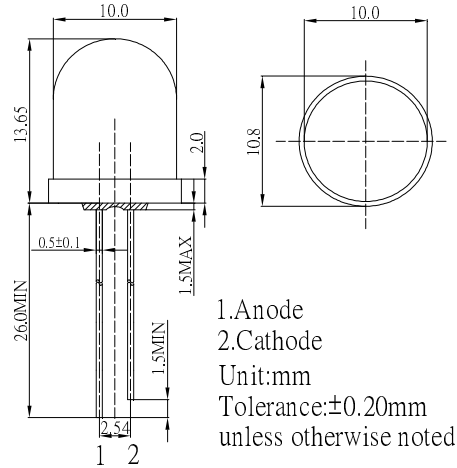
**■ Features**

- High Luminous LEDs
- 10mm Round Standard Directivity
- Candle Flashing Type
- Water Clear

**■ Applications**

- Toys
- Games
- Audio
- Other Lighting

**■ Outline Dimension**

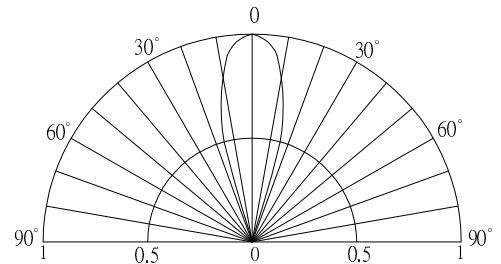


**■ Absolute Maximum Rating**

(Ta=25°C)

Item	Symbol	Value	Unit
Power Supply	Voltage	5.0	V
Operating Temperature	Topr	-30 ~ +85	°C
Storage Temperature	Tstg	-40~ +100	°C
Lead Soldering Temperature	Tsol	260°C/5sec	-

**■ Directivity**



**■ Electrical -Optical Characteristics**

(Ta=25°C)

Part Number	Color		VF (V)*			Iv(mcd)*			CCT(K)/λD(nm)*			2θ1/2 (deg)
			Min.	Typ.	Max.	Typ.	Typ.	Max.	Min.	Typ.	Max.	Typ.
			IF=20mA			IF=20mA			IF=20mA			
OS5WDKA131A	White	W	2.5	3.3	5.0	10000	12000	-	8500-18000K(X:0.27,Y:0.28)			30
OS5MDKA131A	Warm White	M	2.5	3.3	5.0	8400	10000	-	2700-3300K(X:0.45,Y:0.41)			30
OS2MDKA131A	Warm White	M	2.5	3.3	5.0	8400	10000	-	2000-2400K(X:0.51,Y:0.41)			30
OSB5SKA131A	Blue	B	2.5	3.3	5.0	4200	5800	-	465	470	475	30
OSG5DKA131A	Pure Green	TG	2.5	3.3	5.0	18000	22000	-	520	525	530	30
OSY5MKA131A	Yellow	Y	2.5	3.3	5.0	8400	10000	-	585	590	595	30
OSR5MKA131A	Red	R	2.5	3.3	5.0	8400	10000	-	620	625	630	30

\*1 Tolerance of measurements of Chromaticity coordinates is ±10%

\*2 Tolerance of measurements of Dominant wavelength is ±1nm

\*3 Tolerance of measurements of Luminous intensity is ±15%

\*4 Tolerance of measurements of Forward voltage is ±0.1V

\*5 Tolerance of measurements of Frequency is ±20%