

REV	DESCRIPTION, ECN, EAR NO.	DATE	APP'D
K	PRODUCT DRAWING (EAR 14113)	MAY27/14	K.L.
L	PRODUCT DRAWING (EAR 14282)	AUG06/14	K.L.

ORDERING CODE: M USB - B 1 5 1 - X X

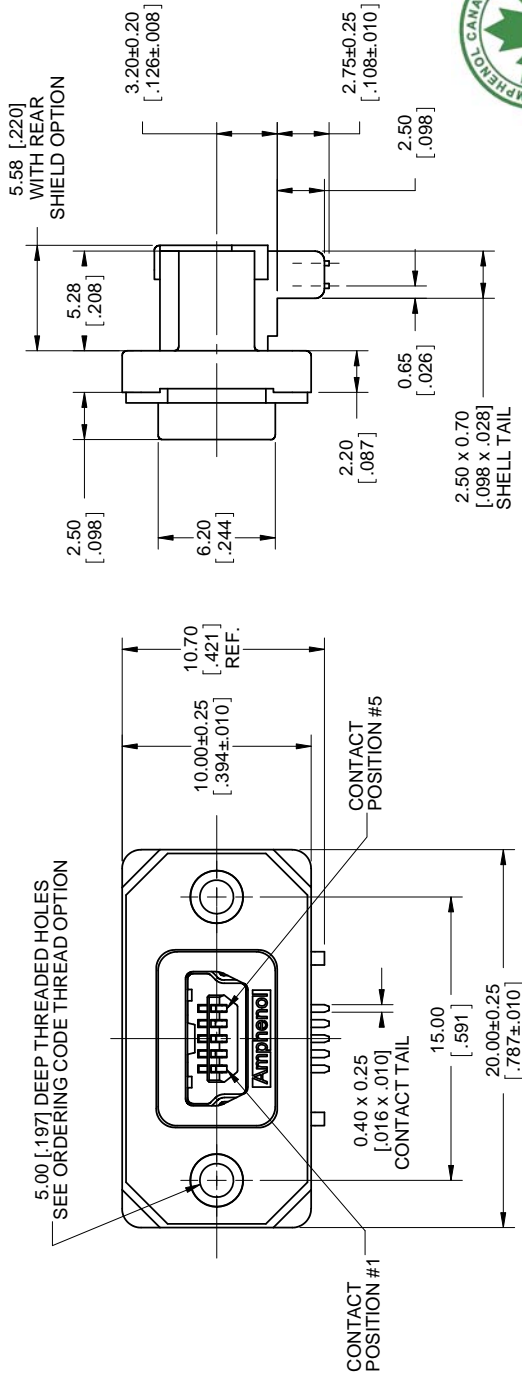
- SERIES, RUGGED USB
- USB MINI-B RECEPTACLE, SINGLE PORT, RIGHT ANGLE PCB TAILS
- REAR SHIELD & THREAD OPTION
- 0=NO REAR SHIELD, #2-56 UNC THREAD
 - 3= WITH REAR SHIELD, #2-56 UNC THREAD
 - M= WITH REAR SHIELD, M2.5 X 0.45 THREAD
 - N=NO REAR SHIELD, M2.5 X 0.45 THREAD
- DUST COVER OPTION
- 0=NO DUST COVER SUPPLIED
 - 1=WITH GREY DUST COVER SUPPLIED
 - 4=NO DUST COVER SUPPLIED
 - 5=WITH BLACK DUST COVER SUPPLIED
- NOTE: THERE IS NO DIFFERENCE BETWEEN DUST COVER OPTIONS '0' AND '4'



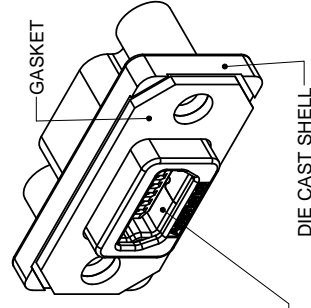
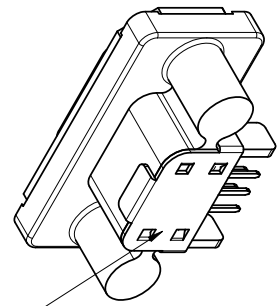
SPECIAL CONNECTORS:
MANY UNIQUE FEATURES ARE READILY AVAILABLE. TO SUIT CUSTOMER REQUIREMENTS. CONSULT WITH AMPHENOL CANADA FOR DETAILS.

NOTES:

- MATERIAL: ALL MATERIALS ARE RoHS COMPLIANT PER EU DIRECTIVE 2011/65/EU AND AMENDMENTS
 - OUTER SHELL: DIE CAST ZINC ALLOY, NICKEL PLATED
 - CONTACTS: PHOSPHOR BRONZE, PLATED WITH 0.76 MICRONS [30u"] GOLD OVER 1.27 MICRONS [50u"] MINIMUM NICKEL ON THE MATING AREA WITH TIN OVER NICKEL ON THE TAILS.
 - USB HOUSING: ENGINEERING THERMOPLASTIC, FLAMMABILITY RATING UL94V-0, BLACK.
 - USB SHELL & REAR SHIELD: COPPER ALLOY, NICKEL PLATED
 - GASKET: PORON WITH ADHESIVE BACKING
 - DUST COVER: SILICONE RUBBER WITH NICKEL PLATED COPPER ALLOY BUSHING.
- ENVIRONMENTAL PERFORMANCE PER IEC 60529 CODE IP67 FOR SEAL BETWEEN MATING AREA AND PCB SIDE OF CONNECTOR. GASKET PROVIDES SEAL TO INSIDE FACE OF ENCLOSURE PANEL. AVAILABLE DUST COVER PROVIDES ADDED PROTECTION. SEE SHEET 2 FOR APPLICATION VIEW.
- CURRENT RATING: 1 AMPERE.
- CONTACT RESISTANCE: 50 MILLIOHMS MAXIMUM.
- OPERATING TEMPERATURE: -40°C TO +105°C.
- DUST COVERS MAY BE ORDERED SEPARATELY. SPECIFY
 - PART NUMBER MUSB-2E151-005BP FOR GREY DUST COVER
 - PART NUMBER MUSB-2E151-015BP FOR BLACK DUST COVER
- RECOMMENDED TORQUE FOR PANEL MOUNT SCREWS: 0.23 TO 0.34 N.m (2.00 TO 3.00 IN-LBS) FOR SCREWS WITH 2.50mm (.098") THREAD ENGAGEMENT.
- RECOMMENDED ENCLOSURE PANEL: 1.20 TO 2.50mm (0.47 TO .098") THICK.



REAR SHIELD OPTIONAL, SEE ORDERING CODE



GASKET

DIE CAST SHELL

MINIB USB RECEPTACLE

Ø 2.60 [.102] MOUNTING HOLE

DUST COVER OPTIONAL SEE ORDERING CODE

58.45 REF [2.301]

9.20 REF [.362]

6.20 REF [.244]

UNLESS SPECIFIED OTHERWISE	DRAWN	S. SEMENOV	MAR15/07
PRIMARY UNITS	MILLIMETERS	CHECKED	
SECONDARY UNITS	INCHES	M.E. APP'D	
REFERENCE IN PARENTHESES	O.A. APP'D		
GENERAL TOLERANCES	DWG APPR.	A.GREEN	MAR15/07
1 DECIMAL PLACE	ENG. REL. NO.		
2 DECIMAL PLACES	REF.		
3 DECIMAL PLACES	THIRD PROJECTION		
ANGULAR DEGREES	DO NOT DRAWING		

Amphenol Canada Corp.

MUSB SERIES RUGGED MINI-B USB RECEPTACLE, RIGHT ANGLE PCB TAIL, RoHS COMPLIANT

DWG. NO. P-MUSB-B151-XX

CODE ID NO. 03554 DWG SIZE: C SCALE: 5:1 SHEET 1 OF 2

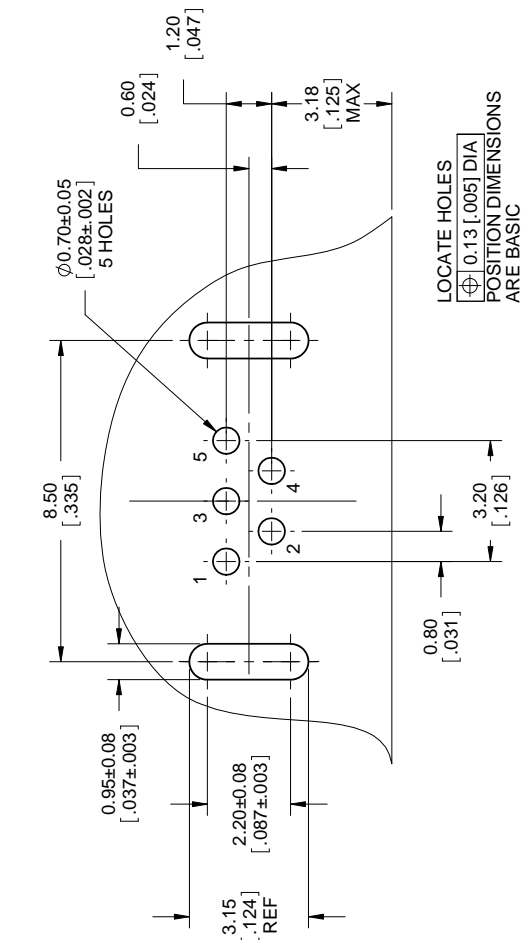
THIS DOCUMENT CONTAINS PROPRIETARY INFORMATION AND SUCH INFORMATION MAY NOT BE DISCLOSED TO OTHERS FOR ANY PURPOSE OR USED FOR MANUFACTURING PURPOSES WITHOUT WRITTEN PERMISSION FROM AMPHENOL CANADA CORP.

REV	DESCRIPTION, ECN, EAR NO.	DATE	APP'D
K	PRODUCT DRAWING (EAR 14113)	MAY27/14	K.L.
L	PRODUCT DRAWING (EAR 14292)	AUG06/14	K.L.

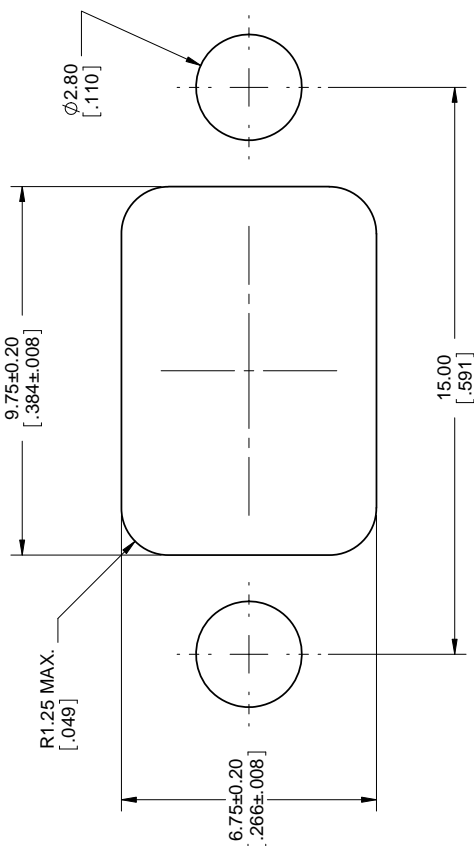
REVISIONS			

UNLESS SPECIFIED OTHERWISE	DRAWN	S. SEMENOV	MAR15/07
PRIMARY UNITS	CHECKED		
SECONDARY UNITS	M.E. APP'D		
REFERENCE IN PARENTHESES	O.A. APP'D		
GENERAL TOLERANCES	DWG APPR.	A. GREEN	MAR15/07
1 DECIMAL PLACE	ENG. REL. NO.		
2 DECIMAL PLACES	REF.		
3 DECIMAL PLACES	THIRD ANGLE PROJECTION		
ANGULAR DEGREES	DOC. NOT DRAWING		

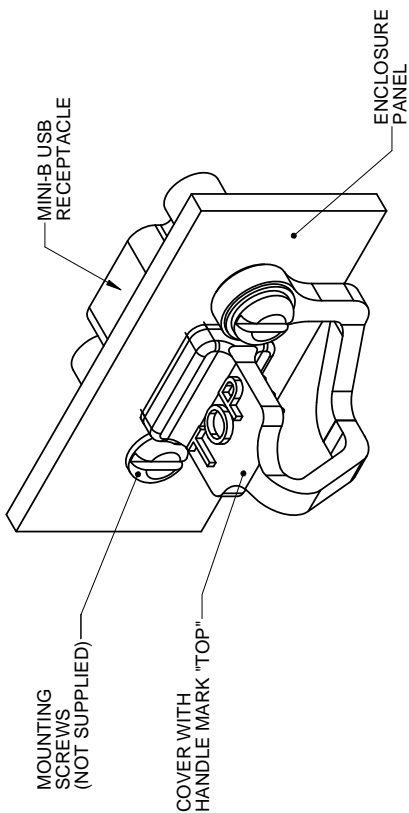
Downloaded from Arrow.com



RECOMMENDED P.C.B. LAYOUT
COMPONENT SIDE OF BOARD



RECOMMENDED PANEL CUTOUT



DUST COVER APPLICATION



Amphenol Canada Corp. www.amphenolcanada.com	
MUSB SERIES RUGGED MINI-B USB RECEPTACLE, RIGHT ANGLE PCB TAIL, RoHS COMPLIANT	
DWG. NO.	P-MUSB-B151-XX
CODE ID NO.	03554
DWG SIZE	C
SCALE	5:1
SHEET	2 OF 2

THIS DOCUMENT CONTAINS PROPRIETARY INFORMATION AND SUCH INFORMATION MAY NOT BE DISCLOSED TO OTHERS FOR ANY PURPOSE OR USED FOR MANUFACTURING PURPOSES WITHOUT WRITTEN PERMISSION FROM AMPHENOL CANADA CORP.