

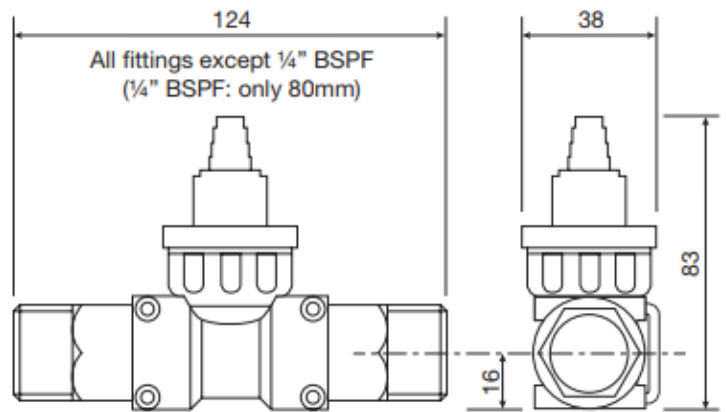


ENGLISH

Datasheet

RS Pro Hall Effect Detection Radial Flow Turbine Meter

RS Number: 5113915



RS Number	Flow Range L/Min	Linearity % FSD	Typical Freq. Hz	Approx 'K' Factor
5113915	6.00 – 100	2.0	275	165

Fitting	Recommended Max Flow L/Min	PVC	PVDF	Brass	316 St St
3/4" BSP Male	100			*	



FEATURES

- Economical
- PPS body
- $\pm 0.75\%$ reading *
- 1-2% FSD
- Sapphire bearings
- Hall effect sensing
- 9 Flow ranges
- Pulse output
- 15 Bar rating
- IP65
- Viton® seal as standard
- Choice of fittings
- 0.1% Repeatability
- 5 to 24Vdc
- -15°C Min to 125°C

Standard Materials of Construction

- Body and cap - PPS
- 'O' Ring seal - Viton®
- Bearings - Sapphire
- End fittings - PVDF, PVC, St St or Brass
- Magnet - Over-moulded

