

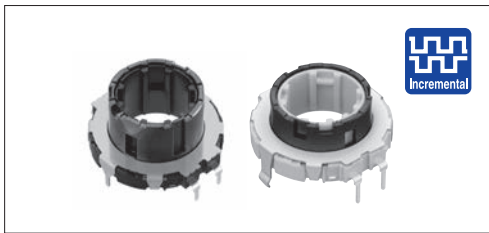
# EC21A EC21C

## 21 mm Size Ring Type

Ring encoder with 4mm height contribute to space saving and multifunctioning



### Typical Specifications



Items	Specifications
Rating	10mA 5V DC
Operating life	50,000 cycles
Operating temperature range	-40°C to +85°C

### Product Line

Structure	Actuator length (mm)	Detent torque (mN·m)	Number of detent	Number of pulse	Minimum order unit (pcs.)		Product No.	No.
					Japan	Export		
Dip	9	7±5	30	15	600	1,200	<b>EC21A1540401</b>	1
		16±7					<b>EC21A1520401</b>	
	15	12±5	18	9	240	480	<b>EC21A0920401</b>	2
			30	15	600	1,200	<b>EC21A1520407</b>	3
Reflow	12	17±8 (Initial), 12 $\pm$ $\frac{7}{-4}$ (After reflow)	30	15	640	640	<b>EC21A0950402</b>	4
							<b>EC21C1520402</b>	5

### Packing Specifications

Tray

Product No.	Number of packages (pcs.)		Export package measurements (mm)
	1 case /Japan	1 case /export packing	
<b>EC21A0920401</b>	240	480	285×375×223
<b>EC21A15</b>	600	1,200	364×508×192
<b>EC21A1520407</b> <b>EC21A0950402</b>	600	1,200	360×540×290
<b>EC21C</b>	640	640	310×400×185

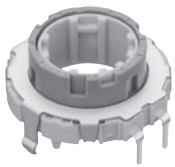
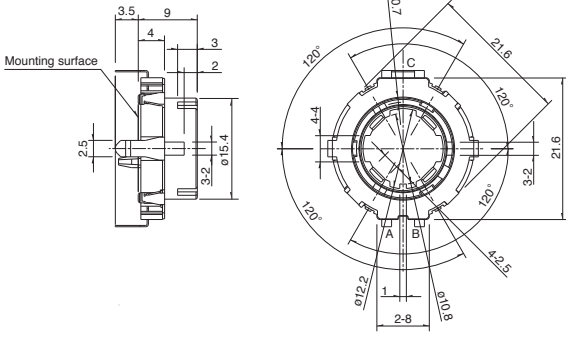
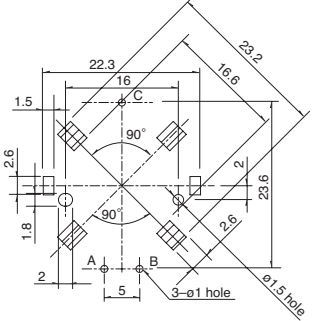

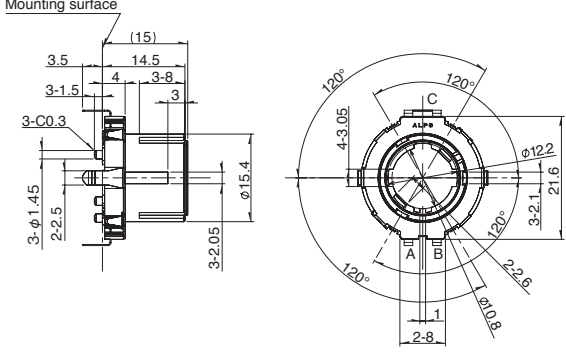
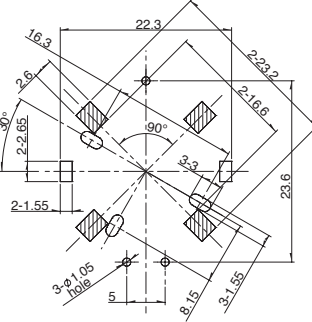

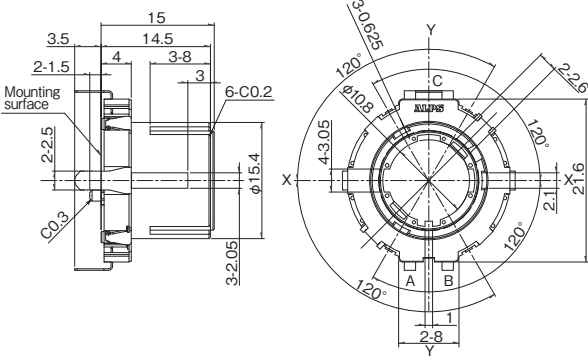
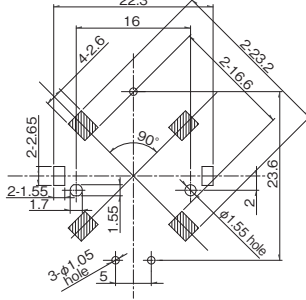

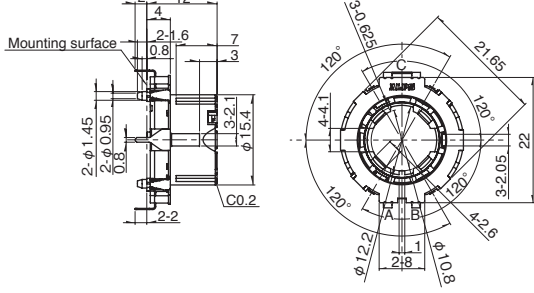
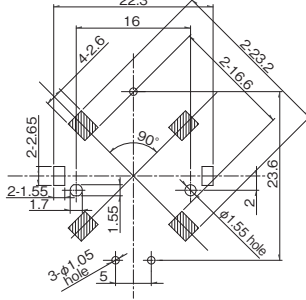
### Dimensions

Unit:mm

No.	Photo	Style	PC board mounting hole dimensions (Viewed from mounting side)
1			<p>Do not wire the shaded area</p>

Dimensions

Unit:mm

No.	Photo	Style	PC board mounting hole dimensions (Viewed from mounting side)
2			 <p data-bbox="1109 743 1401 775">Do not wire the shaded area</p>
3			 <p data-bbox="1109 1200 1401 1232">Do not wire the shaded area</p>
4			 <p data-bbox="1109 1626 1401 1657">Do not wire the shaded area</p>
5			 <p data-bbox="1109 1626 1401 1657">Do not wire the shaded area</p>

Encoders

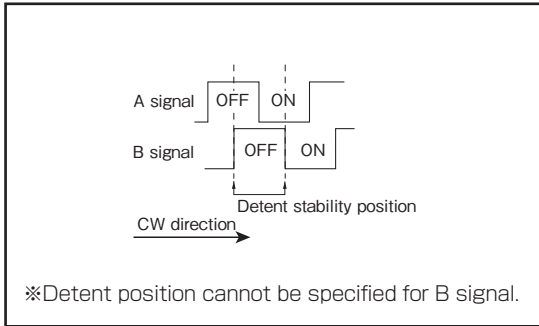
Metal Shaft

Insulated Shaft

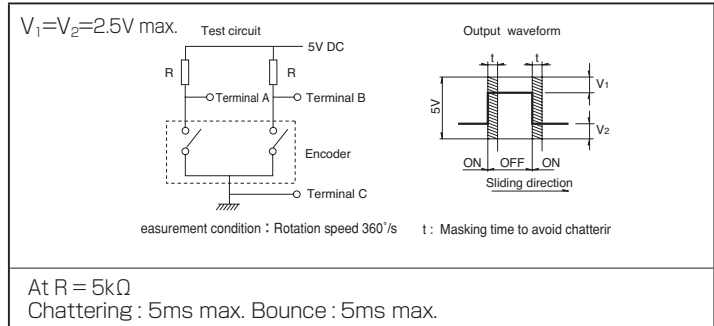
Hollow Shaft

Ring Type

Output Wave






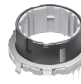








Sliding Noise



# Encoders

## List of Varieties

Type		Ring type					
		21mm size		28mm size		35mm size	
Series		EC21A	EC21C	EC28A	EC28C	EC35A	EC35AH
Photo							
Output		Incremental (Two phase A and B)					Incremental (Three phase A, B and C)
Shaft types		Ring type					
Number of pulse / Number of detent		9/18 15/30	15/30	15/30 18/18	15/30		6×ABC/18 10×ABC/30
Dimensions (mm)	W	21.6	22	28	28	35	
	D		21.6	29	29.5		
	H		4				
Operating temperature range		-40°C to +85°C			-40°C to +90°C	-40°C to +85°C	
Operating life		50,000 cycles					
Automotive use		●	●	●	●	●	●
Life cycle (availability)							
Electrical performance	Rating	10mA 5V DC					
	Max./min. operating current (Resistive load)	10mA / 1mA					
	Insulation resistance	100MΩ min. 250V DC					
	Voltage proof	300V AC for 1minute or 360V AC for 2s	300V AC for 1minute or 360V AC for 1s	300V AC for 1minute or 360V AC for 2s	300V AC for 1minute or 360V AC for 1s	300V AC for 1minute or 360V AC for 2s	
Mechanical performance	Detent torque	7±5mN·m 12±5mN·m 16±7mN·m	17±8mN·m (Initial) 12±7mN·m (After reflow)	7±5mN·m 12±7mN·m 20±10mN·m	30±15mN·m (Initial) 20±10mN·m (After reflow)	18±7mN·m 30±15mN·m	12±5mN·m 18±7mN·m 30±15mN·m
	Push-pull strength	Push	100N				
		Pull	100N				
Shaft configuration		Ring type					
Terminal type		Insertion					
Switch Specifications	Switch type	—					
	Contact arrangement	—					
	Travel (mm)	—					
	Operating force (N)	—					
	Switch ON position	—					
	Rotational torque	—					
	Rating	—					
	Contact resistance	—					
	Operating life	—					
Page		302		305		307	308

Encoders Soldering Conditions ..... 315  
 Encoders Cautions ..... 316

### Note

● Indicates applicability to all products in the series.

## Reference for Manual Soldering

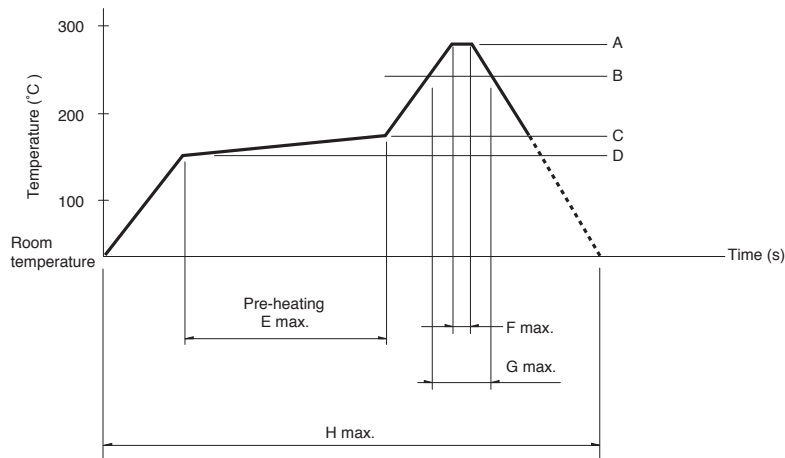
Series	Tip temperature	Soldering time	No. of solders
EC05E, EC09E, EC10E, EC111, EC11B, EC11E, EC11G, EC11K, EC12D, EC12E, EC18A, EC21A, EC28A, EC35A, EC35AH, EC35B, EC40A, EC45A, EC50A, EC60B, EM11B, EM20B, EC21C, EC28C, EC35CH	350°C max.	3s max.	1 time
EC11J	350±10°C	3 <sup>+1</sup> <sub>0</sub> s	2 times

## Reference for Dip Soldering

Series	Preheating		Dip soldering		No. of solders
	Soldering surface temperature	Heating time	Soldering temperature	Soldering time	
EC09E, EC11B, EC111, EC11E, EC11G, EC11K, EC18A, EC21A, EC28A, EC35A, EC35AH, EC35B, EC50A, EC60B	100°C max.	2 min. max.	260±5°C	5±1s	2 times max.
EC10E, EC12D, EC12E, EM11B	100°C max.	1 min. max.	260±5°C	3±1s	2 times max.
EC40A	110°C max.	1 min. max.	260°C max.	10s max.	1 time
EC45A	100°C max.	2 min. max.	260°C max.	5s max.	2 times max.
EM20B	80°C max.	1 min. max.	260°C max.	3s max.	2 times max.

## Example of Reflow Soldering Condition

Temperature profile



Series	A	B	C	D	E	F	G	H	No. of reflows
EC11J	260°C	230°C	180°C	150°C	2 min. max.	3s	40s	4 min. max.	2 times max.
EC05E	250°C min.	230°C min.	180°C	150°C	60s to 120s	—	30s to 40s	—	2 times max.
EC21C	230°C to 245°C	220°C	200°C	150°C	60s to 120s	—	25s to 60s	300s max.	1 time max.
EC28C, EC35CH	260°C	230°C	180°C	150°C	2 min. min.	3s	40s	230s max.	1 time max.

### 注記

- When using an infrared reflow oven, solder may sometimes not be applied. Be sure to use a hot air reflow oven or a type that uses infrared rays in combination with hot air.
- The temperatures given above are the maximum temperatures at the terminals of the encoder when employing a hot air reflow method. The temperature of the PC board and the surface temperature of the encoder may vary greatly depending on the PC board material, its size and thickness. Ensure that the surface temperature of the encoder does not rise to 250°C or greater.
- Conditions vary to some extent depending on the type of reflow bath used. Be sure to give due consideration to this prior to use.