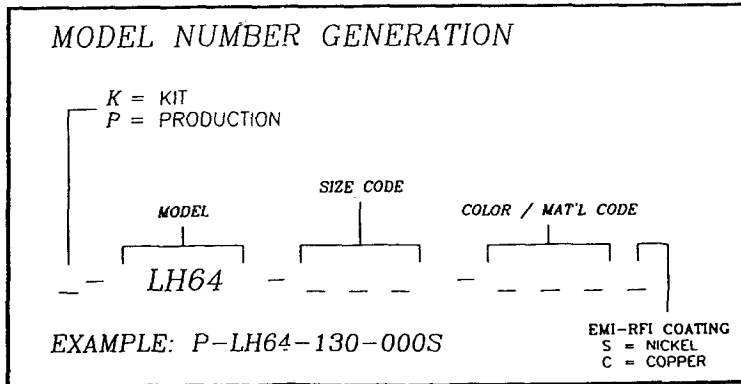


FOR ENGINEERING DRAWING SEE SIDE 2

*SUPPLIED WITH KIT ONLY

MODEL	① TOP COVER	② BOTTOM COVER	*③ PANEL BLANK	④ FEET	⑤ SCREW
LH64-130	71572-01	71573-01	71884-02	60221-01	60227-06
LH64-200	71572-01	72283-01	71884-06	60221-01	60227-11

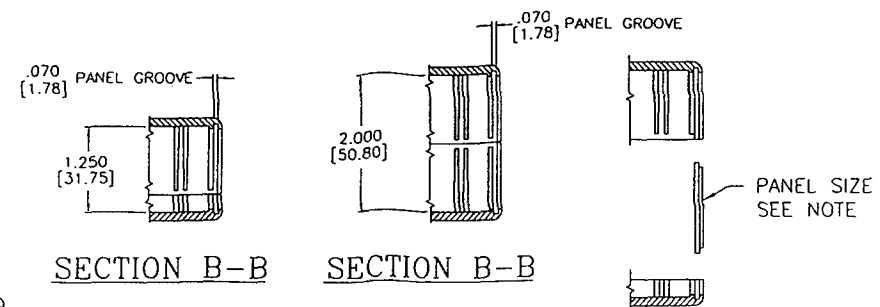
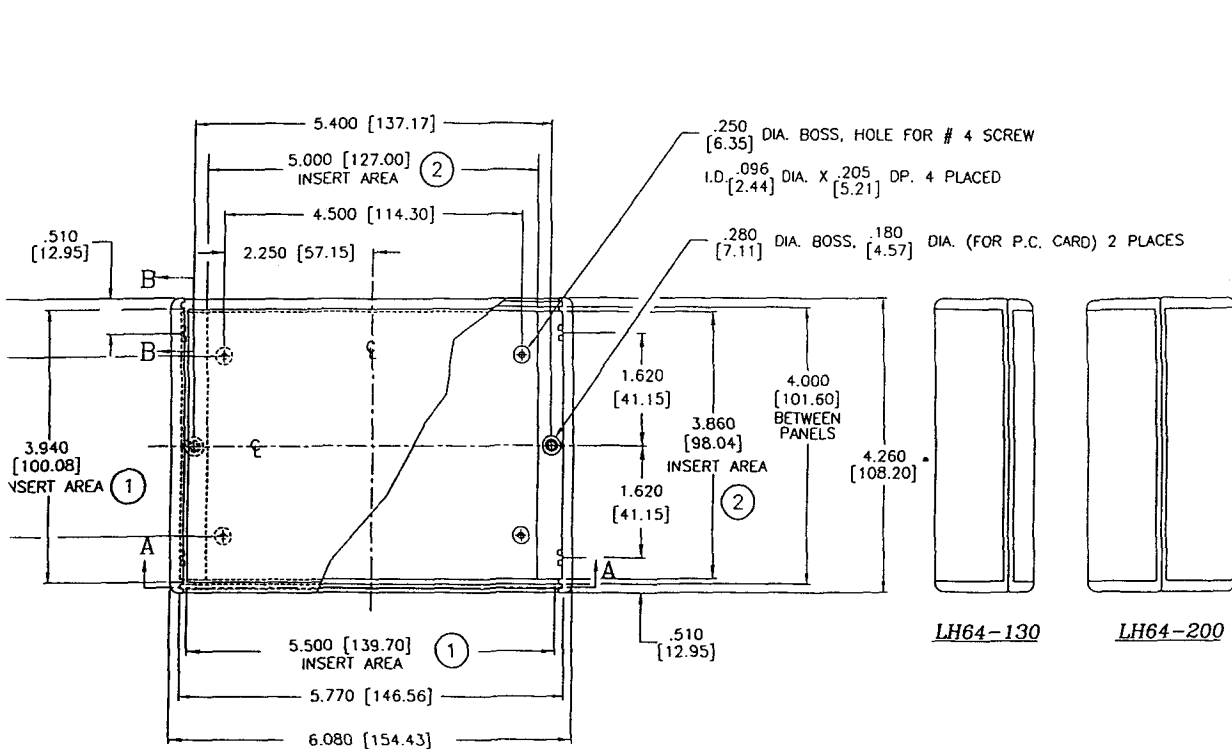


COLOR / MAT'L CODE		
COLOR	94HB	94VO
BLACK	000	028
*GREY	001	024
*TAN	002	025
P.C.BONE	039	060

*SEE FACTORY FOR AVAILABILITY

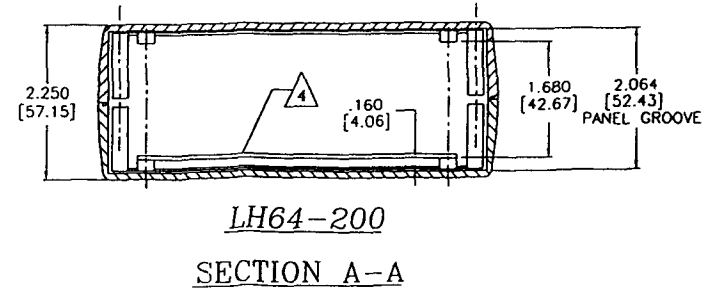
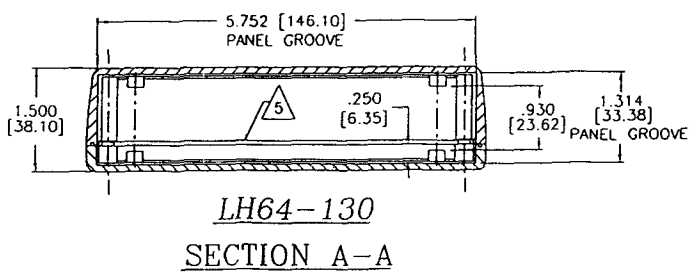
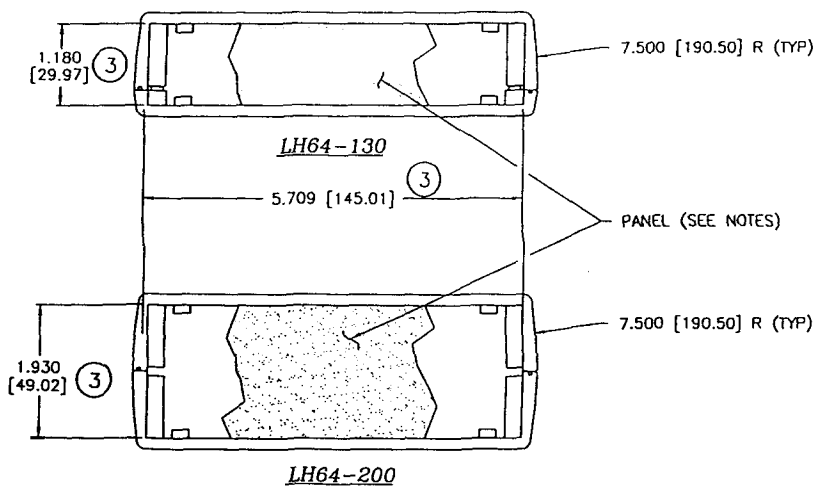
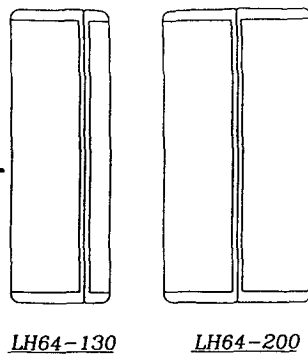
PACINTEC®
LH64-130 & LH64-200

1-800-220-9800



NOTES:

- PANEL SIZE: (FRONT AND REAR)
 LH64-130 1.307±.005 [33.20±0.13] H X 5.750±.005 [146.05±0.13] W X .062±.005 [1.57±0.13] THK., IN PANEL GROOVE AREA.
 LH64-200 2.045±.005 [51.94±0.13] H X 5.735±.005 [145.67±0.13] W X .062±.005 [1.57±0.13] THK., IN PANEL GROOVE AREA.
- (1) EXTERIOR INSERT AREA, FOR IN MOLD MODIFICATION. TYPICAL ON TOP AND BOTTOM COVERS.
 - (2) INTERIOR INSERT AREA, FOR IN MOLD MODIFICATION. TYPICAL ON TOP AND BOTTOM COVERS.
 - (3) USABLE PANEL AREA.
 - △ P.C. CARD 3.950 [100.33] L X 5.000 [127.00] W .062±.005 [1.57±0.13] THK.
 - ⊕ P.C. CARD 3.950 [100.33] L X 5.700 [144.78] W .062±.005 [1.57±0.13] THK.



PACNTEC®
 LH64-130 & LH64-200
 1-800-220-9800