

## PIHB-L201B

### Flat 22W LED Driver

23.2V - 24.8V / 0.88A / 22W

#### Features

- ▶ Dimmable Method: 0-10V Dimming, IR
- ▶ Constant Current Control
- ▶ Active Power Factor Correction
- ▶ Protection : OVP, SCP
- ▶ RoHS Compliant



- ▶ Mechanical Outline  
(Metal Case)  
- 300 × 43 × 28mm

#### Critical Specifications

Output (W)	Output (Vdc)	Output (A)			Input (Vac)	Dim.	PF	Efficiency	Dimension (LxWxH mm)
		Min	Typ	Max					
22	23.2-24.8	0.836	0.88	0.924	120-277	0-10V, IR	>0.9	Min. 80	300 × 43 × 28mm

#### Input Specifications

Parameter	Min.	Typ.	Max.	Unit	Remark
Input Voltage (Nominal)	120	-	277	Vac	
Input Voltage (Performance)	108	-	305	Vac	
Input Current	-	-	0.3	A	@ AC 120V, 100% Load
Input Wattage	-	-	28.9	W	
Standby Power			1.5	W	@ AC 120-277V
Nominal Input Frequency	47	50/60	63	Hz	
Efficiency	80	-	-	%	@ AC 120-277V, 100% Load
Power Factor	0.9	-	-	-	@ AC 120-277V, 100% Load
THD	-	-	25	%	@ AC 120-277V, 100% Load
Inrush Current	-	-	-	Apk	

※ Note : All parameters NOT specially mentioned are measured at rated load and 25 °C of ambient temperature.

*Datasheet is subject to change without notice.*

## Output Specifications

Parameter	Min	Typ	Max	Unit	Remarks
Output Voltage	23.2	24	24.8	V	
Output Current	836	880	924	A	Fixed Current
Output Dimming Current Range	10	-	100	%	0-10V Dimming
Output Current Tolerance	-5	-	5	%	@ 100% Dimming
Output Ripple Current	-	-	5	%	= Peak to Peak / rms @ 100% Dimming
Output Power	19.40	21.12	22.92	W	
Start-up Time	-	-	1	s	

## Protection Functions

Parameter	Min.	Typ.	Max.	Unit	Remark
Over Voltage Protection	-	-	50	V	Auto recovery
Short Circuit Protection	-	-	-	A	Auto recovery

## Environmental Specifications

Parameter	Min	Typ	Max	Unit	Remarks	
Temperature	Operation	-20	-	40	°C	@ Ta
		-	-	60	°C	@ Tc
	Storage	-30	-	80	°C	@ Ta
Humidity	Operation	-	-	95	%	-
	Storage	10	-	90	%	-
Lifetime	50	-	-	KHrs	@ Tc=40°C	

※ Note : All parameters NOT specially mentioned are measured at rated load and 25 °C of ambient temperature.

## Dimming Control (0-10V Dimming)

### 1. IR Remote Controller Dimming Condition

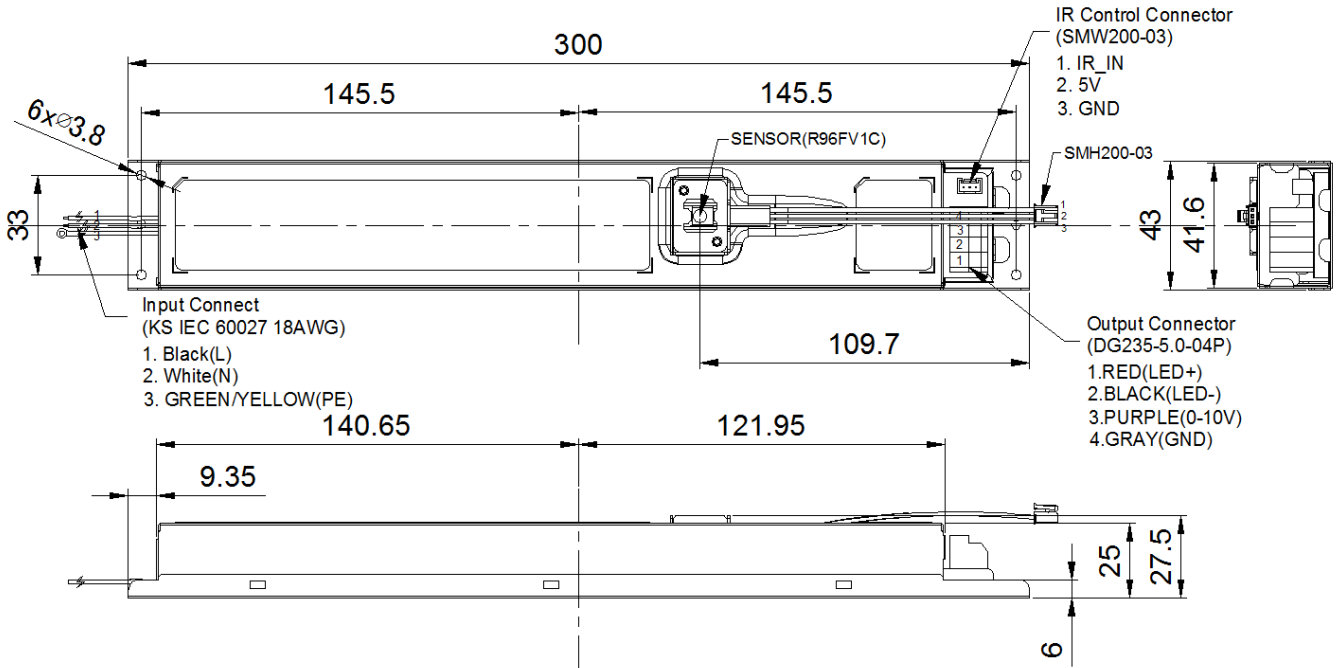
IR Remote Controller Dimming Condition					
Article	Unit	Min	Typ	Max	Remark
Step 1 100% Dimming	[mA]	836	880	924	No Flicker & Shimmer @All Dimming Condition
Step 2 80% Dimming	[mA]	633	704	775	
Step 3 60% Dimming	[mA]	475	528	581	
Step 4 40% Dimming	[mA]	316	352	388	
Step 5 20% Dimming	[mA]	158	176	194	

### 2. 0-10V Dimming Condition

0-10V Dimming Condition					
Article	Unit	Min	Typ	Max	Remark
Min Illumination Value	[V]	0	-	1	No Flicker & Shimmer @All Dimming Condition
Min Hysteresis Value	[V]	0.7	-	1.2	
Min Illumination Value (Output Current)	[mA]	158	176	194	
Voltage Value contrast Illumination Value	[V]	1	-	10	
Max Illumination Value	[V]	10	-	-	
Maximum Hysteresis Value	[V]	9	-	11	
Max Illumination Value (Output Current)	[mA]	836	880	924	
Dimmer Open Illumination Value	[V]	9	10	11	

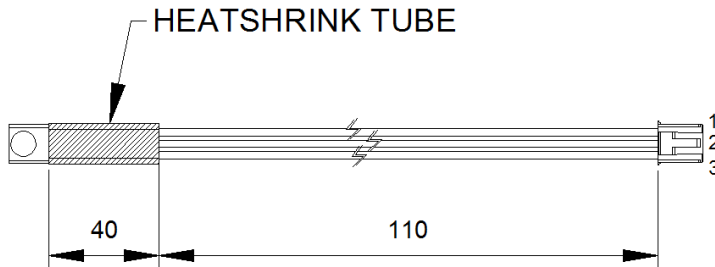
## Mechanical Outline

### 1. Case Dimension

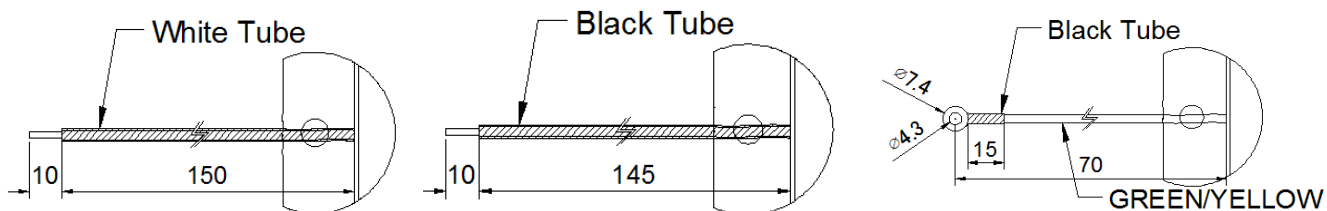


### WIRE SPECIFICATION

- 1) IR SENSOR(with HEATSHRINK TUBE)  
 : UL1007 #26 AWG, Stranded Wire, White(1)/Red(2)/Black(3)



- 2) Input Connect  
 : KS IEC 60227 0.75mm(18AWG)

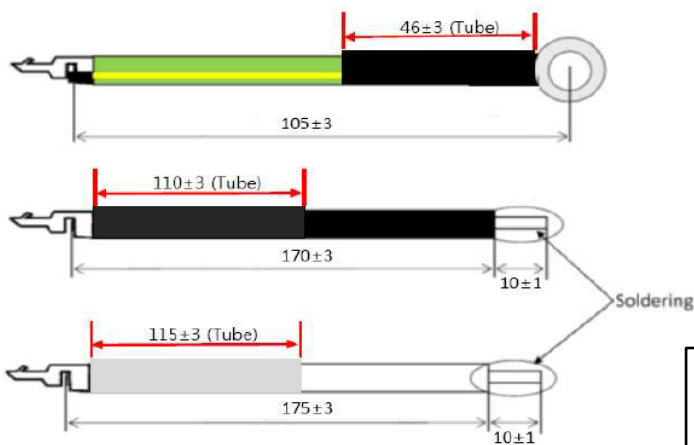


## Mechanical Outline

### 2. Connector Description

#### 2.1 Input Connect

Item	No	Name	Color
Input Connect	1	Line	Black Wire
	2	Neutral	White Wire
	3	PE	PE Wire + Ring Terminal



**NOTE**

- Wire Total Tolerance :  $\pm 3\text{mm}$
- Soldering Tolerance :  $\pm 1\text{mm}$

#### 2.2 Output connect

Item	No	Name	Color
Output Connect (CN203)	1	LED+	Red
	2	LED-	Black
	3	0-10V	Purple
	4	GND	Gray

#### 2.3 IR Control Connector

Item	No	Name
IR Control Connector (CN201)	1	IR_IN
	2	5V
	3	GND

**Datasheet Revision History**

Change Date	Rev. No.	Description of Change	Remark
2014/09/26	1.0	- Initial Release	