

IL MOD BK DI8 DO4-PAC - Bus coupler



2878696

<https://www.phoenixcontact.com/us/products/2878696>

Please be informed that the data shown in this PDF document is generated from our online catalog. Please find the complete data in the user documentation. Our general terms of use for downloads are valid.



Inline, Bus coupler, Modbus/RTU, D-SUB-9 female connector, Digital inputs: 8, 24 V DC, connection technology: 3-conductor, Digital outputs: 4, 24 V DC, 500 mA, connection technology: 3-conductor, transmission speed in the local bus: 500 kbps / 2 Mbps, degree of protection: IP20, including inline connectors, marking fields, and end plate

Product description

The bus coupler with integrated I/Os is intended for use within a Modbus RTU/ASCII network and represents the link to the Inline I/O system. Up to 61 Inline devices can be connected to the bus coupler. The bus coupler supports a maximum of 8 PCP devices.

Your advantages

- Modbus connection via 9-pos. D-SUB socket
- Electrical isolation between Modbus interface and logic
- 8 digital inputs, 4 digital outputs (on-board)
- Data transmission speed in Modbus of 1.2 kbps to 115.2 kbps (configurable)
- Rotary coding switches for setting the Modbus address and for configuration
- Supported Modbus addresses from 1 to 99
- Automatic detection of the transmission speed in the local bus (500 kbps or 2 Mbps)
- Shipbuilding and UL approvals

Commercial data

Item number	2878696
Packing unit	1 pc
Minimum order quantity	1 pc
Sales key	DR01
Product key	DRI115
Catalog page	Page 108 (C-6-2019)
GTIN	4046356099967
Weight per piece (including packing)	331.1 g
Weight per piece (excluding packing)	316 g
Customs tariff number	85176200
Country of origin	DE

IL MOD BK DI8 DO4-PAC - Bus coupler

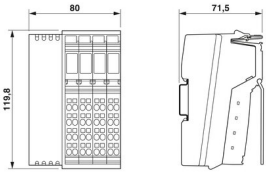


2878696

<https://www.phoenixcontact.com/us/products/2878696>

Technical data

Dimensions

Dimensional drawing	
Width	80 mm
Height	119.8 mm
Depth	71.5 mm
Note on dimensions	Specifications with connectors

Notes

Utilization restriction

CCCex note	Use in potentially explosive areas is not permitted in China.
------------	---

Interfaces

Modbus/RTU

Number of interfaces	1
Connection method	D-SUB-9 female connector
Note on the connection method	Electrically isolated supply, shielding directly connected to functional ground
Transmission speed	1.2 kBit/s ... 115.2 kBit/s (can be parameterized)

Inline local bus

Number of interfaces	1
Connection method	Inline data jumper
Transmission speed	500 kbps / 2 Mbps (automatic detection, no combined system)

System properties

System limits

Number of supported devices	max. 63 (per station)
Number of local bus devices that can be connected	max. 61 (The on-board I/Os are two devices)
Number of devices with parameter channel	max. 8
Number of supported branch terminals with remote bus branch	0

Module

ID code (hex)	none
Input address area	8 bit
Output address area	4 bit
Register length	16 bit

IL MOD BK DI8 DO4-PAC - Bus coupler



2878696

<https://www.phoenixcontact.com/us/products/2878696>

Input data

Digital

Input name	Digital inputs
Description of the input	EN 61131-2 type 1
Number of inputs	8
Connection method	Inline connector
Connection technology	3-conductor
Input voltage	24 V DC
Input voltage range "0" signal	-30 V DC ... 5 V DC
Input voltage range "1" signal	15 V DC ... 30 V DC
Nominal input voltage U_{IN}	24 V DC
Nominal input current at U_{IN}	typ. 3 mA
Typical input current per channel	typ. 3 mA
Typical response time	approx. 500 μ s
Delay at signal change from 0 to 1	1.2 ms
Delay at signal change from 1 to 0	1.2 ms

Output data

Digital

Output name	Digital outputs
Connection method	Inline connector
Connection technology	3-conductor
Number of outputs	4
Protective circuit	Short-circuit and overload protection; Freewheeling circuit in the output driver
Output voltage	24 V DC -1 V (At nominal current)
Maximum output current per module	max. 2 A
Nominal output voltage	24 V DC
Output current when switched off	max. 10 μ A (When not loaded, a voltage can be measured even at an output that is not set.)
Nominal load, inductive	12 VA (1.2 H, 48 Ω)
Nominal load, lamp	12 W
Nominal load, ohmic	12 W
Reverse voltage resistance to short pulses	Reverse voltage proof
Behavior with overload	Auto restart
Behavior with inductive overload	Output can be destroyed
Behavior at voltage switch-off	The output follows the power supply without delay
Signal delay	typ. 1.2 ms
Overcurrent shut-down	min. 0.7 A

Product properties

Type	modular
Product type	I/O component

IL MOD BK DI8 DO4-PAC - Bus coupler



2878696

<https://www.phoenixcontact.com/us/products/2878696>

Product family	Inline
Scope of delivery	including inline connectors, marking fields, and end plate
No. of channels	12
Diagnostics messages	Short-circuit or overload of the digital outputs yes
	Sensor supply failure yes
	Failure of the actuator supply yes

Insulation characteristics

Overvoltage category	II (IEC 60664-1, EN 60664-1)
Pollution degree	2 (IEC 60664-1, EN 60664-1)

Electrical properties

No. of channels	12
Maximum power dissipation for nominal condition	23.5 W

Potentials

Power consumption	typ. 3 W (entire device)
-------------------	--------------------------

Potentials: Bus coupler supply U_{BK} ; Communications power U_L (7.5 V) and the analog supply U_{ANA} (24 V) are generated from the bus coupler supply.

Supply voltage	24 V DC (via Inline connector)
Supply voltage range	19.2 V DC ... 30 V DC (including all tolerances, including ripple)
Current draw	max. 0.94 A (with max. number of connected I/O terminal blocks)
	typ. 40 mA (without connected I/O terminal blocks)

Potentials: Communications power (U_L)

Supply voltage	7.5 V DC
----------------	----------

Potentials: Supply of analog modules (U_{ANA})

Supply voltage	24 V DC
Supply voltage range	19.2 V DC ... 30 V DC (including all tolerances, including ripple)

Potentials: Main circuit supply (U_M)

Supply voltage	24 V DC (via Inline connector)
Supply voltage range	19.2 V DC ... 30 V DC (including all tolerances, including ripple)
Current draw	max. 8 A DC
	min. 3 mA (without connected peripherals)

Potentials: Segment circuit supply (U_S)

Supply voltage	24 V DC (via Inline connector)
Supply voltage range	19.2 V DC ... 30 V DC (including all tolerances, including ripple)
Current draw	max. 8 A DC
	min. 3 mA (without connected peripherals)

Electrical isolation/isolation of the voltage ranges

Test voltage: Modbus interface 1 / Modbus interface 2	500 V AC, 50 Hz, 1 min.
Test voltage: Modbus interface 1 / communications power (U_{BK} , U_L , U_{ANA})	500 V AC, 50 Hz, 1 min.

IL MOD BK DI8 DO4-PAC - Bus coupler



2878696

<https://www.phoenixcontact.com/us/products/2878696>

Test voltage: Modbus interface 1 / I/O (U_M , U_S)	500 V AC, 50 Hz, 1 min.
Test voltage: Modbus interface 1 / functional ground	500 V AC, 50 Hz, 1 min.
Test voltage: Modbus interface 2 / communications power (U_{BK} , U_L , U_{ANA})	500 V AC, 50 Hz, 1 min.
Test voltage: Modbus interface 2 / I/O (U_M , U_S)	500 V AC, 50 Hz, 1 min.
Test voltage: Modbus interface 2 / functional ground	500 V AC, 50 Hz, 1 min.
Test voltage: Communications power (U_{BK} , U_L , U_{ANA}) / I/O (U_M , U_S)	500 V AC, 50 Hz, 1 min.
Test voltage: Communications power (U_{BK} , U_L , U_{ANA}) / functional ground	500 V AC, 50 Hz, 1 min.
Test voltage: I/O (U_M , U_S) / functional ground	500 V AC, 50 Hz, 1 min.

Connection data

Connection technology

Connection name	Inline connector
-----------------	------------------

Conductor connection

Connection method	Spring-cage connection
Conductor cross section rigid	0.08 mm ² ... 1.5 mm ²
Conductor cross section flexible	0.08 mm ² ... 1.5 mm ²
Conductor cross section AWG	28 ... 16
Stripping length	8 mm

Inline connector

Connection method	Spring-cage connection
Conductor cross section, rigid	0.08 mm ² ... 1.5 mm ²
Conductor cross section, flexible	0.08 mm ² ... 1.5 mm ²
Conductor cross section AWG	28 ... 16
Stripping length	8 mm

Environmental and real-life conditions

Ambient conditions

Ambient temperature (operation)	-25 °C ... 60 °C
Degree of protection	IP20
Air pressure (operation)	70 kPa ... 106 kPa (up to 3000 m above sea level)
Air pressure (storage/transport)	70 kPa ... 106 kPa (up to 3000 m above sea level)
Ambient temperature (storage/transport)	-40 °C ... 85 °C
Permissible humidity (operation)	10 % ... 95 % (non-condensing)
Permissible humidity (storage/transport)	10 % ... 95 % (non-condensing)

Standards and regulations

Protection class	III (IEC 61140, EN 61140, VDE 0140-1)
------------------	---------------------------------------

Mounting

Mounting type	DIN rail mounting
---------------	-------------------

IL MOD BK DI8 DO4-PAC - Bus coupler

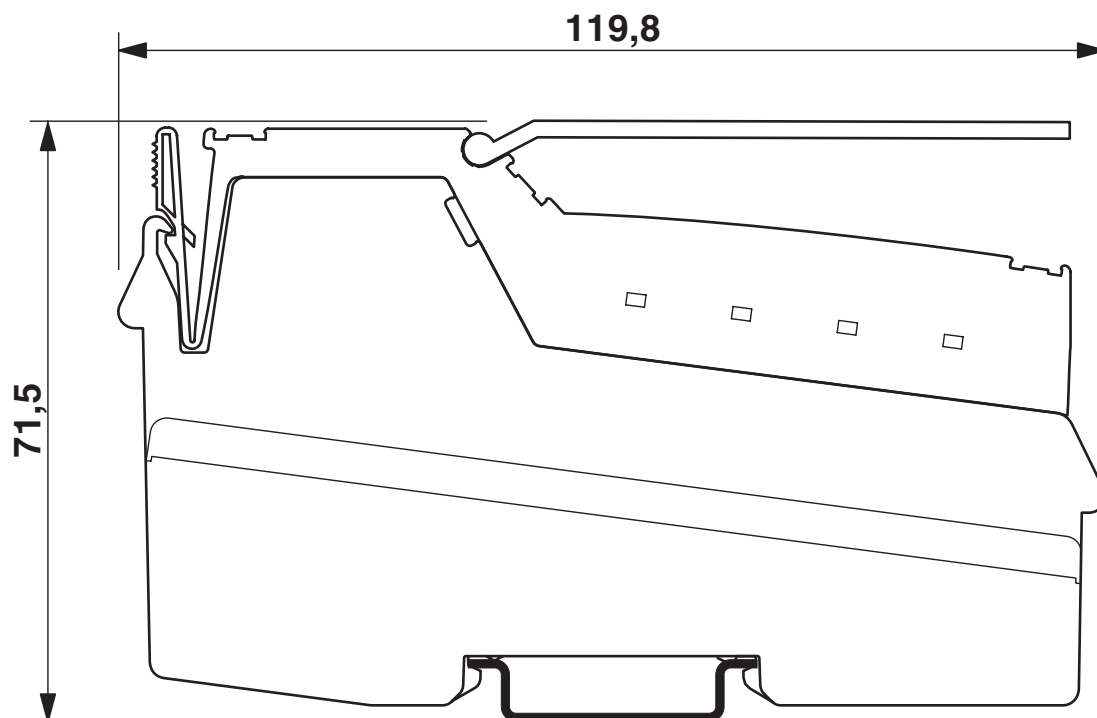


2878696

<https://www.phoenixcontact.com/us/products/2878696>

Drawings

Dimensional drawing



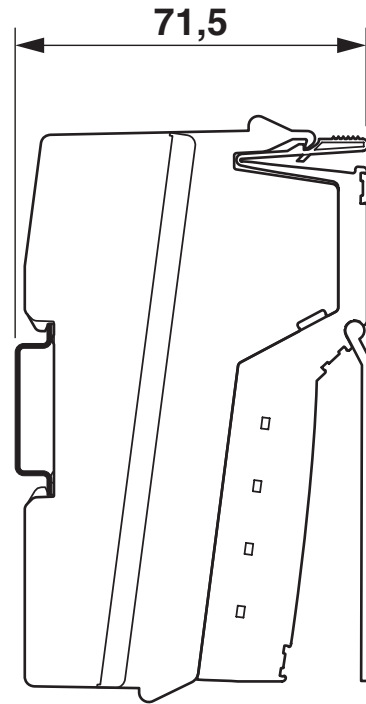
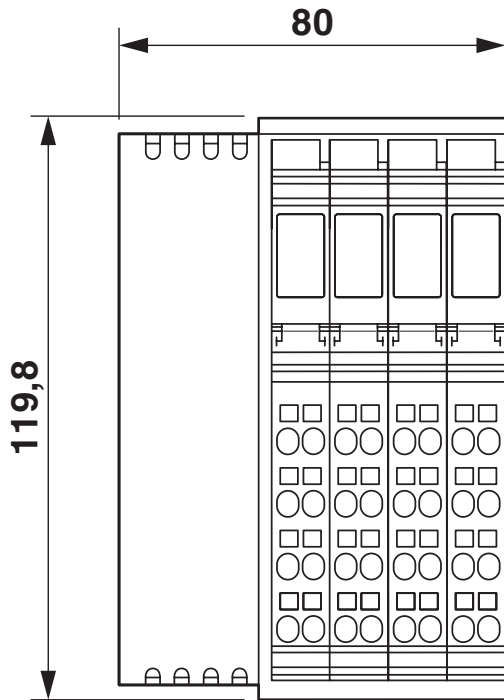
IL MOD BK DI8 DO4-PAC - Bus coupler

2878696

<https://www.phoenixcontact.com/us/products/2878696>



Dimensional drawing



IL MOD BK DI8 DO4-PAC - Bus coupler



2878696

<https://www.phoenixcontact.com/us/products/2878696>

Approvals

To download certificates, visit the product detail page: <https://www.phoenixcontact.com/us/products/2878696>



cUL Recognized
Approval ID: FILE E 140324



UL Recognized
Approval ID: FILE E 140324



EAC
Approval ID: TR TS_S_03508-21



DNV GL
Approval ID: TAA00001KV



LR
Approval ID: LR22191720TA



BV
Approval ID: 21595/C0 BV

ABS

Approval ID: 22-2226444-PDA

UAE-RoHS

Approval ID: 22-04-13087

cULus Recognized

IL MOD BK DI8 DO4-PAC - Bus coupler



2878696

<https://www.phoenixcontact.com/us/products/2878696>

Classifications

ECLASS

ECLASS-11.0	27242608
ECLASS-12.0	27242608
ECLASS-13.0	27242608

ETIM

ETIM 9.0	EC001604
----------	----------

UNSPSC

UNSPSC 21.0	32151600
-------------	----------

IL MOD BK DI8 DO4-PAC - Bus coupler



2878696

<https://www.phoenixcontact.com/us/products/2878696>

Environmental product compliance

REACH SVHC	Lead 7439-92-1
China RoHS	Environmentally friendly use period: unlimited = EFUP-e
	No hazardous substances above threshold values

IL MOD BK DI8 DO4-PAC - Bus coupler

2878696

<https://www.phoenixcontact.com/us/products/2878696>



Accessories

CLIPFIX 35 - End bracket

3022218

<https://www.phoenixcontact.com/us/products/3022218>



Quick mounting end clamp for NS 35/7,5 DIN rail or NS 35/15 DIN rail, with marking option, width: 9.5 mm, color: gray

ESL 62X46 - Insert strip

0809502

<https://www.phoenixcontact.com/us/products/0809502>



Insert strip, Sheet, white, unlabeled, can be labeled with: Office printing systems, CMS-P1-PLOTTER, mounting type: insert, lettering field size: 62 x 46 mm, Number of individual labels: 15

IL MOD BK DI8 DO4-PAC - Bus coupler

2878696

<https://www.phoenixcontact.com/us/products/2878696>



IB IL FIELD 8 - Marking field

2727515

<https://www.phoenixcontact.com/us/products/2727515>

Marking field, width: 48.8□mm



ESL 62X10 - Insert strip

0809492

<https://www.phoenixcontact.com/us/products/0809492>

Insert strip, Sheet, white, unlabeled, can be labeled with: Office printing systems, CMS-P1-PLOTTER, mounting type: insert, lettering field size: 62 x 10 mm, Number of individual labels: 72



IL MOD BK DI8 DO4-PAC - Bus coupler

2878696

<https://www.phoenixcontact.com/us/products/2878696>



IB IL FIELD 2 - Marking field

2727501

<https://www.phoenixcontact.com/us/products/2727501>

Marking field, width: 12.2 mm



IL BKDIO-PLSET - Connector set

2878599

<https://www.phoenixcontact.com/us/products/2878599>

Connector set, for Inline bus coupler with I/Os mounted in rows



IL MOD BK DI8 DO4-PAC - Bus coupler

2878696

<https://www.phoenixcontact.com/us/products/2878696>



SUBCON-PLUS-MODBUS/IL/BK - D-SUB bus connector

2310808

<https://www.phoenixcontact.com/us/products/2310808>



D-SUB connector, 9-pos., male connector, two 35° cable entries, bus system: for Inline Modbus RTU/ASCII bus coupler termination resistance can be connected via slide switch, pin assignment: 3, 5, 6, 8; screw connection terminal blocks

Phoenix Contact 2023 © - all rights reserved

<https://www.phoenixcontact.com>

Phoenix Contact USA
586 Fulling Mill Road
Middletown, PA 17057, United States
(+717) 944-1300
info@phoenixcon.com