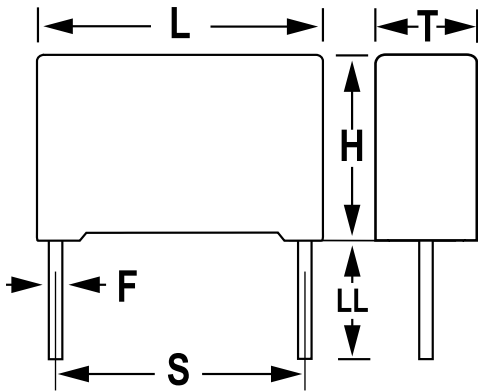


R75, Film, Metallized Polypropylene, Automotive Grade, 470 pF, 5%, 1000 VDC, 85°C, Lead Spacing = 7.5mm



General Information	
Supplier:	KEMET
Series:	R75
Dielectric:	Metallized Polypropylene
Style:	Radial
Features:	Automotive Grade, Pulse
RoHS:	Yes
Lead:	Wire Leads
Qualifications:	AEC-Q200
AEC-Q200:	Yes
Miscellaneous:	Above 85C DC And AC Voltage Derating Is 1.25%/C

Dimensions	
L	10mm +0.2mm
H	8mm +0.1mm
T	3mm +0.1mm
S	7.5mm +/-0.4mm
LL	17mm +1/-2mm
F	0.5mm +/-0.05mm

Specifications	
Capacitance:	470 pF
Capacitance Tolerance:	5%
Voltage AC:	400 VAC
Voltage DC:	1000 VDC
Temperature Range:	-55/+105C
Rated Temperature:	85°C
Dissipation Factor:	0.04% 1kHz, 0.06% 10kHz, 0.25% 100kHz
Insulation Resistance:	100 GOhms
Max dV/dt:	4000 V/us
Inductance:	8 nH

Packaging Specifications	
Packaging:	Bulk, Bag
Packaging Quantity:	1750