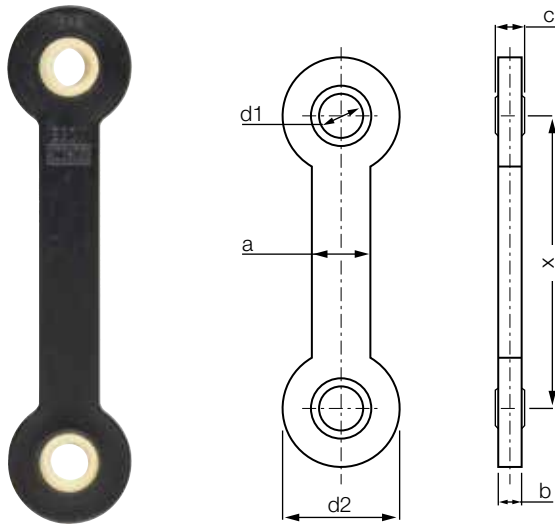


Double joint: EGZM



- Maintenance free, self-lubricating
- Mechanical joining link between 2 components
- Compensation of misalignment errors
- Corrosion-resistant
- Double joint turned 90° available on request

Order key

Type Size
E GZ M -04-25

Dimensional series E	Double joint	Metric	Inner-Ø d1 [mm]	Pitch X
----------------------	--------------	--------	-----------------	---------

Material:

Housing: **igumid G** ▶ Page 1235

Spherical ball: **iglidur® W300** ▶ Page 121

Other spherical balls on request ▶ Page 693

Technical data and dimensions [mm]

Part No.	Max. static tensile strength (short term)		Max. static tensile strength (long term)		d1 E10	d2	X	b	a	c	Max. pivot angle	Weight [g]
	radial [N]	axial [N]	radial [N]	axial [N]								
	EGZM-04-25	1,100	1,300	550								
EGZM-04-50	1,100	750	550	375	04	20	50	4	10	5	32°	4.8
EGZM-04-75	1,100	500	550	250	04	20	75	4	10	5	32°	6.1
EGZM-05-25	1,100	1,300	550	650	05	20	25	4	10	6	37°	2.2
EGZM-05-50	1,100	750	550	375	05	20	50	4	10	6	37°	4.9
EGZM-05-75	1,100	500	550	250	05	20	75	4	10	6	37°	6.3
EGZM-06-25	1,100	1,300	550	650	06	20	25	4	10	6	30°	3.4
EGZM-06-50	1,100	750	550	375	06	20	50	4	10	6	30°	4.8
EGZM-06-75	1,100	500	550	250	06	20	75	4	10	6	30°	3.4
EGZM-08-60	3,000	3,500	1,500	1,750	08	30	60	7	15	8	20°	15.2
EGZM-08-100	3,000	1,900	1,500	950	08	30	100	7	15	8	20°	19.5
EGZM-10-60	2,500	3,500	1,250	1,750	10	30	60	7	15	9	25°	15.3
EGZM-10-85	2,500	2,300	1,250	1,150	10	30	85	7	15	9	25°	18.1
EGZM-10-100	2,500	1,900	1,250	950	10	30	100	7	15	9	25°	19.4
EGZM-12-60	2,000	3,500	1,000	1,750	12	30	60	7	15	10	25°	14.7
EGZM-12-100	2,500	1,900	1,000	950	12	30	100	7	15	10	25°	18.8

Spherical ball materials to choose ▶ Page 693



REM:
low-cost



JEM: low
moisture
absorption



J4EM: low-
cost and
low moisture
absorption



J4VEM:
clearance free
preloaded
spherical ball