

DLW32SH510XK2#

“#” indicates a package specification code.

For CAN/CAN-FD DCMR Class2 Compliance

In Production

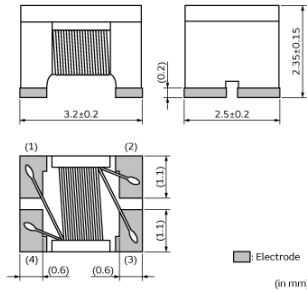
AEC-Q200

RoHS

REACH

< List of part numbers with package codes >
DLW32SH510XK2L DLW32SH510XK2B

Appearance & Shape



Packaging Information

| Packaging | Specifications | Minimum Order Quantity |
|-----------|---------------------|------------------------|
| L | 180mm Embossed Tape | 1500 |
| B | Bulk(Bag) | 500 |

Applications

Automotive Usage

Powertrain/Safety

Attention

1.This datasheet is downloaded from the website of Murata Manufacturing Co., Ltd. Therefore, it's specifications are subject to change or our products in it may be discontinued without advance notice. Please check with our sales representatives or product engineers before ordering.

2.This datasheet has only typical specifications because there is no space for detailed specifications.

Therefore, please review our product specifications or consult the approval sheet for product specifications before ordering.

DLW32SH510XK2#

“#” indicates a package specification code.

Features

1. Suitable for noise suppression at car area networks like CAN/CAN-FD.
(IEC62228-3 DCMR Class2 Compliance)
2. High common mode impedance at high frequency range.
So it is suitable for noise suppression through wide frequency range.
3. Wide operating temperature range (-40 to +125 degrees C)

Applications

Common mode noise suppression for car area networks like CAN/CAN-FD.

Attention

- 1.This datasheet is downloaded from the website of Murata Manufacturing Co., Ltd. Therefore, it's specifications are subject to change or our products in it may be discontinued without advance notice. Please check with our sales representatives or product engineers before ordering.
- 2.This datasheet has only typical specifications because there is no space for detailed specifications.
Therefore, please review our product specifications or consult the approval sheet for product specifications before ordering.

DLW32SH510XK2#

“#” indicates a package specification code.



Specifications

| | |
|--|---------------------------|
| Shape | SMD |
| Size Code (in mm) | 3225 |
| Size Code (in inch) | 1210 |
| Length | 3.2mm |
| Length Tolerance | ±0.2mm |
| Width | 2.5mm |
| Width Tolerance | ±0.2mm |
| Thickness | 2.35mm |
| Thickness Tolerance | ±0.15mm |
| Rated Current | 200mA |
| Derating of Rated Current | No |
| Rated Voltage | 80Vdc |
| Withstanding Voltage | 200Vdc |
| DC Resistance(max.) | 0.7Ω |
| DC Resistance | 0.7Ω max. |
| Insulation Resistance(min.) | 10MΩ |
| Operating Temperature Range | -40°C to 125°C |
| Mass(typ.) | 0.072g |
| Number of Circuit | 1 |
| Common Mode Inductance | 51μH-30%/+50% (at 0.1MHz) |
| Operating Temperature Range(Self-temperature rise is included) | No |

Attention

1.This datasheet is downloaded from the website of Murata Manufacturing Co., Ltd. Therefore, it's specifications are subject to change or our products in it may be discontinued without advance notice. Please check with our sales representatives or product engineers before ordering.

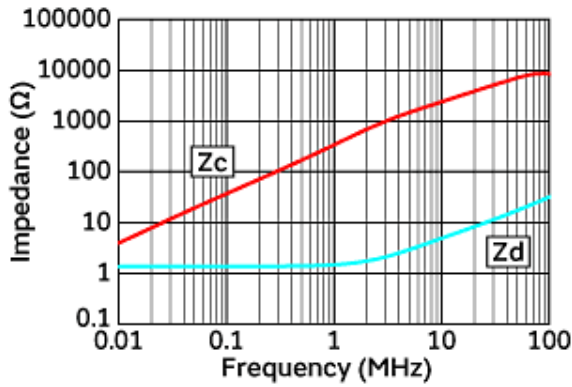
2.This datasheet has only typical specifications because there is no space for detailed specifications.

Therefore, please review our product specifications or consult the approval sheet for product specifications before ordering.

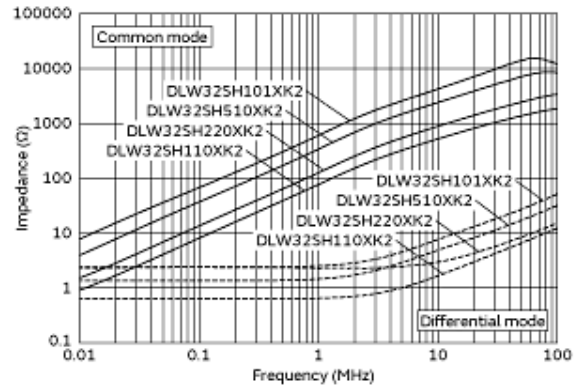
DLW32SH510XK2#

"#" indicates a package specification code.

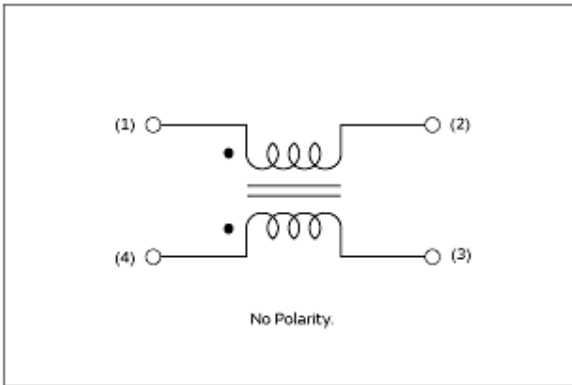
Product Data



Impedance-Frequency Characteristics



Impedance-Frequency Characteristics (Main Items)



Equivalent Circuit

Attention

- 1.This datasheet is downloaded from the website of Murata Manufacturing Co., Ltd. Therefore, it's specifications are subject to change or our products in it may be discontinued without advance notice. Please check with our sales representatives or product engineers before ordering.
- 2.This datasheet has only typical specifications because there is no space for detailed specifications.
Therefore, please review our product specifications or consult the approval sheet for product specifications before ordering.