

DLP31DN900ML4#

“#” indicates a package specification code.

In Production

RoHS

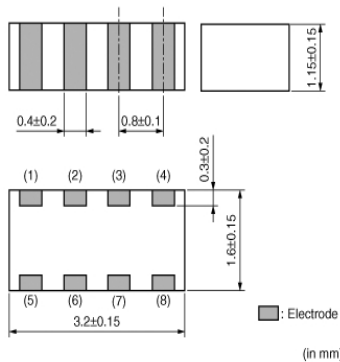
REACH

< List of part numbers with package codes >

DLP31DN900ML4B

DLP31DN900ML4L

Appearance & Shape



Features

DLP31D series is chip common mode choke coil array which realizes high coupling and high impedance in a small size with ferrite material technology and thin film processing technology.

Features

1. 2 components are included in 3.2x1.6mm
2. Thin type 1.15mm
3. High common mode Impedance characteristics (max. 440 ohm, at 100MHz)
4. DLP31D can suppress common mode noise without damage to signal wave.

Applications

Common mode noise suppression of high speed differential signal lines for USB, IEEE1394, LVDS

1. Main board of personal computers, note PCs
2. Printers, Scanners
3. LCD monitors
4. Game equipment
5. PC peripheral equipment

Applications

| | |
|-------------|-------------|
| Other Usage | For general |
|-------------|-------------|

Packaging Information

| Packaging | Specifications | Standard Packing Quantity |
|-----------|---------------------|---------------------------|
| B | Bulk(Bag) | 500 |
| L | 180mm Embossed Tape | 3000 |

Attention

1.This datasheet is downloaded from the website of Murata Manufacturing Co., Ltd. Therefore, it's specifications are subject to change or our products in it may be discontinued without advance notice. Please check with our sales representatives or product engineers before ordering.

2.This datasheet has only typical specifications because there is no space for detailed specifications.

Therefore, please review our product specifications or consult the approval sheet for product specifications before ordering.

DLP31DN900ML4#

“#” indicates a package specification code.



Specifications

| | |
|--|---------------|
| Shape | SMD |
| Size Code (in mm) | 3216 |
| Size Code (in inch) | 1206 |
| Length | 3.2mm |
| Length Tolerance | ±0.15mm |
| Width | 1.6mm |
| Width Tolerance | ±0.15mm |
| Thickness | 1.15mm |
| Thickness Tolerance | ±0.15mm |
| Common Mode Impedance (at 100MHz) | 90Ω |
| Common Mode Impedance (at 100MHz) Tolerance | ±20% |
| Rated Current | 160mA |
| Derating of Rated Current | No |
| Rated Voltage | 10Vdc |
| Withstanding Voltage | 25Vdc |
| DC Resistance(max.) | 1.1Ω |
| DC Resistance | 1.1Ω max. |
| Insulation Resistance(min.) | 100MΩ |
| Operating Temperature Range | -40°C to 85°C |
| Mass(typ.) | 0.03g |
| Number of Circuit | 2 |
| Operating Temperature Range(Self-temperature rise is included) | No |

Attention

1.This datasheet is downloaded from the website of Murata Manufacturing Co., Ltd. Therefore, it's specifications are subject to change or our products in it may be discontinued without advance notice. Please check with our sales representatives or product engineers before ordering.

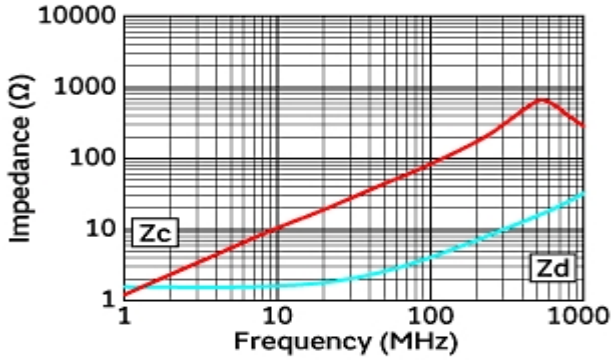
2.This datasheet has only typical specifications because there is no space for detailed specifications.

Therefore, please review our product specifications or consult the approval sheet for product specifications before ordering.

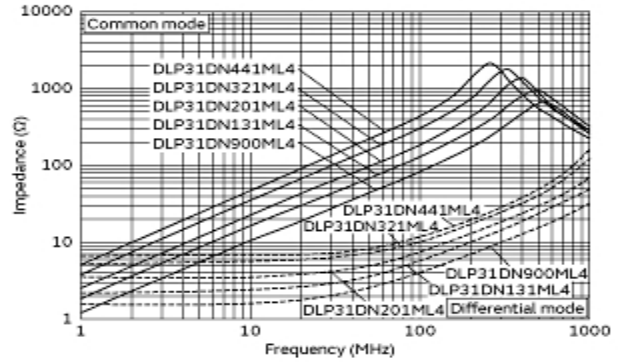
DLP31DN900ML4#

“#” indicates a package specification code.

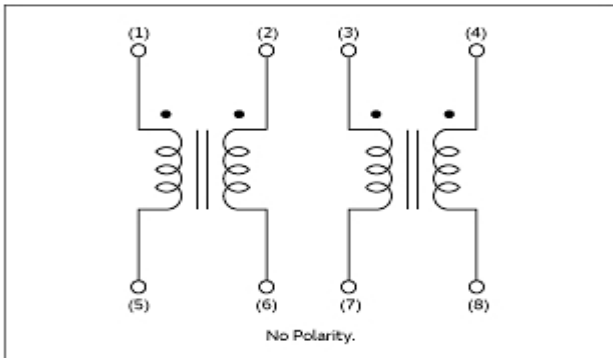
Product Data



Impedance-Frequency Characteristics



Impedance-Frequency Characteristics (Main Items)



Equivalent Circuit

Attention

- 1.This datasheet is downloaded from the website of Murata Manufacturing Co., Ltd. Therefore, it's specifications are subject to change or our products in it may be discontinued without advance notice. Please check with our sales representatives or product engineers before ordering.
- 2.This datasheet has only typical specifications because there is no space for detailed specifications. Therefore, please review our product specifications or consult the approval sheet for product specifications before ordering.