

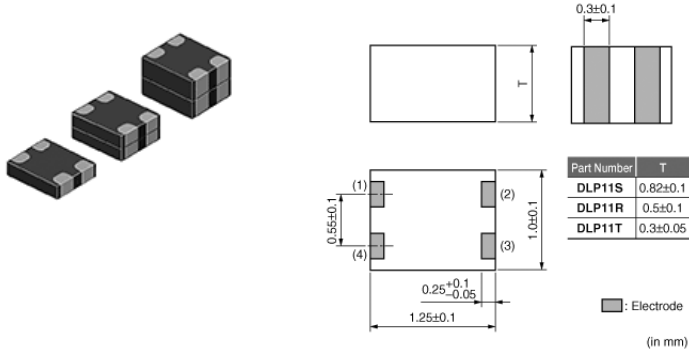
DLP11SN201HL2#

“#” indicates a package specification code.



< List of part numbers with package codes >
DLP11SN201HL2B DLP11SN201HL2L

Appearance & Shape



Features

1. Small size and tight dimensional tolerance
Size: 1.25x1.0x0.82mm Tolerance: ± 0.1 mm
2. Useful impedance line-up from 67 ohm to 330 ohm
3. DLP11S series enables noise suppression for differential signal line without distortion in high-speed signal transmission due to its high coupling
4. DLP11SN_HL2, DLP11SAseries match with line impedance
5. High Cutoff Frequency is suitable for high speed differential signal line such as HDMI.
Cutoff Frequency: 6GHz (DLP11SAseries)

Applications

Other Usage	For general
-------------	-------------

- Applications
Common mode noise suppression of high speed differential signal lines for USB, IEEE1394, LVDS
1. Note PCs, PDAs
 2. Cellular phones
 3. Digital Still Cameras, Digital Video Cameras

Packaging Information

Packaging	Specifications	Minimum Order Quantity
B	Bulk(Bag)	500
L	180mm Embossed Tape	3000

Attention

1. This datasheet is downloaded from the website of Murata Manufacturing Co., Ltd. Therefore, its specifications are subject to change or our products in it may be discontinued without advance notice. Please check with our sales representatives or product engineers before ordering.
2. This datasheet has only typical specifications because there is no space for detailed specifications.
Therefore, please review our product specifications or consult the approval sheet for product specifications before ordering.

DLP11SN201HL2#

“#” indicates a package specification code.



Specifications

Shape	SMD	Operating Temperature Range	-40°C to 85°C
Size Code (in mm)	1210	Mass(typ.)	0.005g
Size Code (in inch)	0504	Number of Circuit	1
Length	1.25mm	Operating Temperature Range(Self-temperature rise is included)	No
Length Tolerance	±0.1mm		
Width	1.0mm		
Width Tolerance	±0.1mm		
Thickness	0.82mm		
Thickness Tolerance	±0.1mm		
Common Mode Impedance (at 100MHz)	200Ω		
Common Mode Impedance (at 100MHz) Tolerance	±20%		
Rated Current (at 85°C)	110mA		
Rated Voltage	5Vdc		
Withstanding Voltage	12.5Vdc		
DC Resistance(max.)	3.88Ω		
DC Resistance	3.1Ω±25%		
Insulation Resistance(min.)	100MΩ		

Attention

1.This datasheet is downloaded from the website of Murata Manufacturing Co., Ltd. Therefore, it's specifications are subject to change or our products in it may be discontinued without advance notice. Please check with our sales representatives or product engineers before ordering.

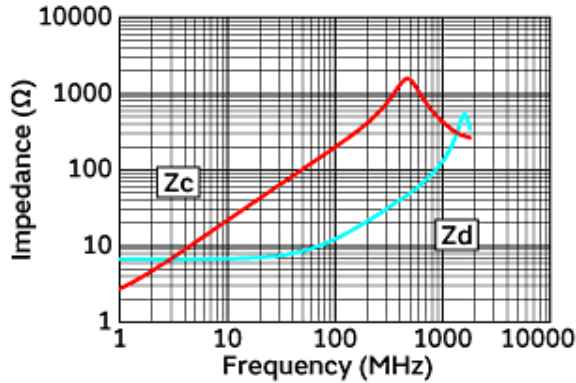
2.This datasheet has only typical specifications because there is no space for detailed specifications.

Therefore, please review our product specifications or consult the approval sheet for product specifications before ordering.

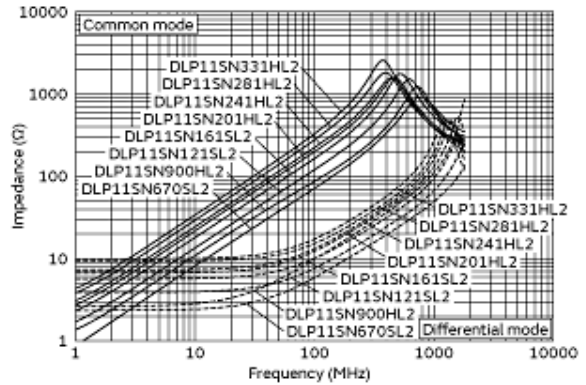
DLP11SN201HL2#

“#” indicates a package specification code.

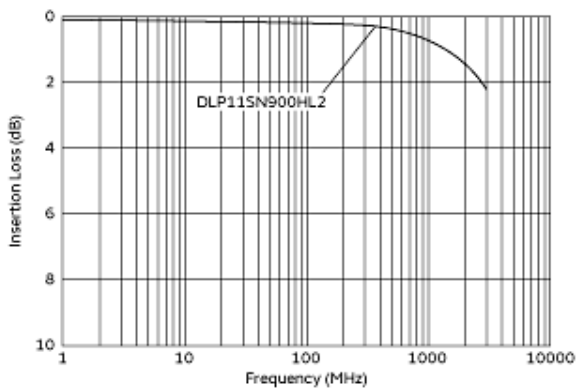
Product Data



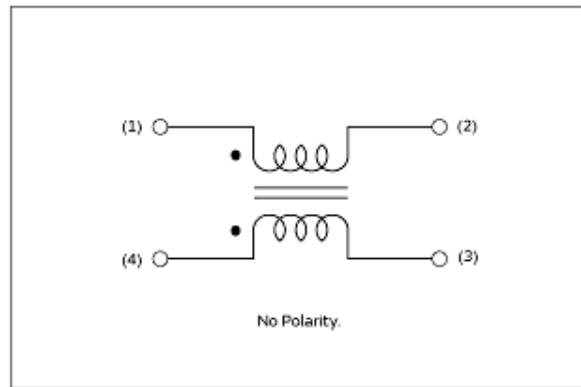
Impedance-Frequency Characteristics



Impedance-Frequency Characteristics (Main Items)



Differential Mode Transmission Characteristics (Typical Value)



Equivalent Circuit

Attention

1. This datasheet is downloaded from the website of Murata Manufacturing Co., Ltd. Therefore, its specifications are subject to change or our products in it may be discontinued without advance notice. Please check with our sales representatives or product engineers before ordering.
2. This datasheet has only typical specifications because there is no space for detailed specifications.
Therefore, please review our product specifications or consult the approval sheet for product specifications before ordering.