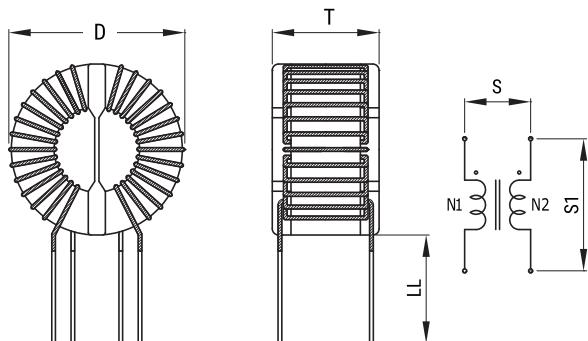


**KEMET Part Number: SC-02-D100**  
(UALSC02D100000)

KEMET, SC-D, AC Line Filters, Common Mode, 100  $\mu$ H



#### Dimensions

<b>D</b>	23mm MAX
<b>T</b>	13mm MAX
<b>LL</b>	15mm +/-2mm
<b>S</b>	10mm NOM

#### Packaging Specifications

<b>Packaging:</b>	Tray
<b>Packaging Quantity:</b>	360
<b>Weight:</b>	7 g

#### General Information

<b>Series:</b>	SC-D
<b>Style:</b>	Through-Hole
<b>RoHS:</b>	Yes
<b>Notes:</b>	Lead Spacing (S/S1) Are For Reference Only.
<b>Miscellaneous:</b>	Temperature Rise Maximum: 40 K

#### Specifications

<b>Voltage AC:</b>	250 VAC
<b>Inductance:</b>	100 $\mu$ H
<b>Current:</b>	2 A
<b>Temperature Range:</b>	-25/+105°C
<b>DC Resistance:</b>	70 mOhms