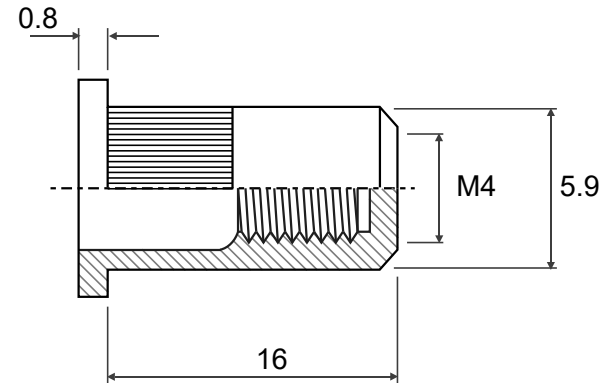


Approximate Performance in Laboratory Tests

Tensile Strength: 6800 N
Direct Torque: 5 Nm
Body Torque: 1 Nm
Shear Strength: 1500 N



| | | | | |
|--|----------|--|-------------------|--|
| | Material | | Customer Part No. | |
| | Finish | | Web Ref No | |