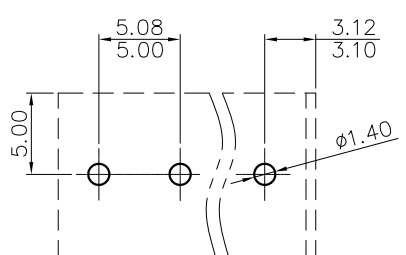
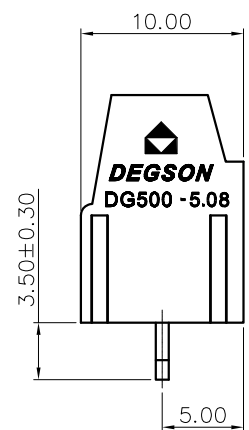
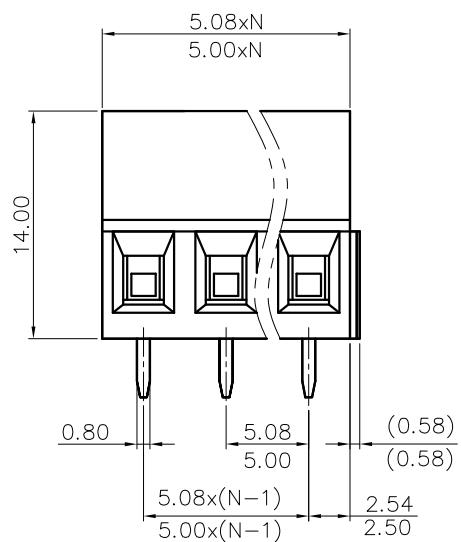
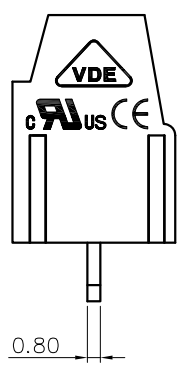
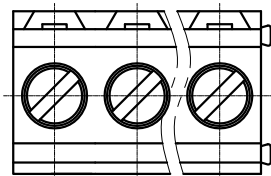


REVISION RECORD				
REV	ECN	DESCRIPTION	DRFT	DATE



PCB LAYOUT

NOTES1:

- UL Standard  
 1. Rated voltage/current : 300V / 20A  
 2. Torque value : M2.5 , 3.54Lb.in  
 3. Wire range : 30~12AWG
- IEC Standard  
 1. Rated voltage/current : 250V / 18A  
 2. Torque value : M2.5 , 0.4N.m  
 3. Wire range : 1.0~2.5mm<sup>2</sup>

NOTES2:

1. Dimension shall be interpreted per ASME Y14.5-2009  
 2. Pitch : 7.62mm, Poles : N=02~XXP  
 3. Stripping length : 6~7mm  
 4. Withstanding voltage : AC2000V/1Min  
 5. Operating temperature : -40°C~+105°C  
 6. Undimensioned tolerances:

Pitch range in mm		Nominal dimension range in mm					-	∩	□
TO	Over	TO	Over	TO	Over	TO	Over	TO	
6	10	6	10	30	60	100	150	0.1/10	
±0.15	±0.20	±0.30	±0.30	±0.50	±0.70	±1.00	±1.30	<	
								±2*	

7. RoHS Compliance

DG500 - 5.0/5.08 - XXP - 1Y - 00A (H)  
 (Series No.) (Pitch) (Poles) (Single Pitch) (Color) : 1.(Grey)  
 2.(Blue)  
 3.(Black)  
 4.(Green)  
 5.(Orange)  
 6.(Red)  
 7.(Transparent)  
 8.(Yellow)  
 9.(White)

DETACHED LISTS	PART NO.:	宁波高松电子有限公司 NINGBO DEGSON ELECTRICAL CO., LTD			
	APPD:	NAME: DG500-5.0/5.08-XXP-1Y-00A(H)			
	CHKD:	TITLE: CUSTOMER DRAWING			
	DRFT:	DRAWING NO.:		REV	DO
THIRD ANGLE PROJECTION		MM (INCH)	DO NOT SCALE DRAWING	SHEET 1/1	SCALE 1:1