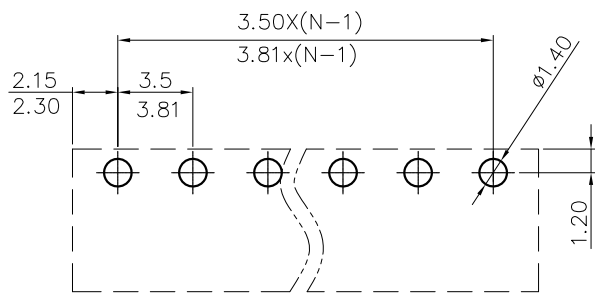
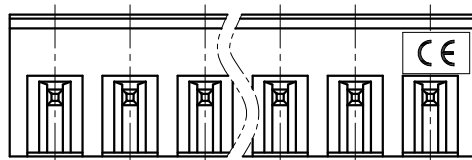
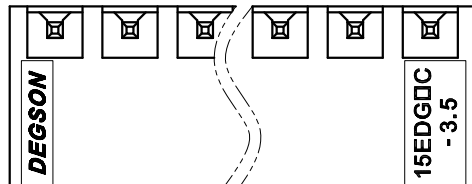


REVISION RECORD				
REV	ECN	DESCRIPTION	DRFT	DATE



PCB LAYOUT



NOTES1:

- UL Standard
- 1.Rated voltage/current : 300V / 8A
- 2.Withstanding voltage : AC1600V/1Min.

IEC Standard

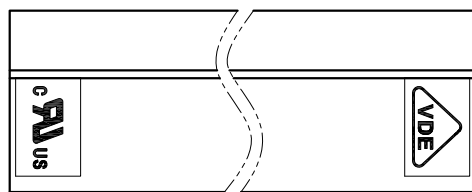
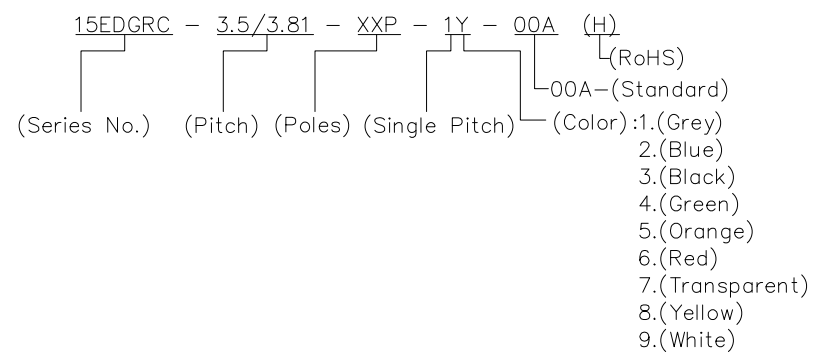
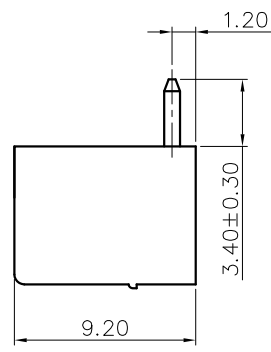
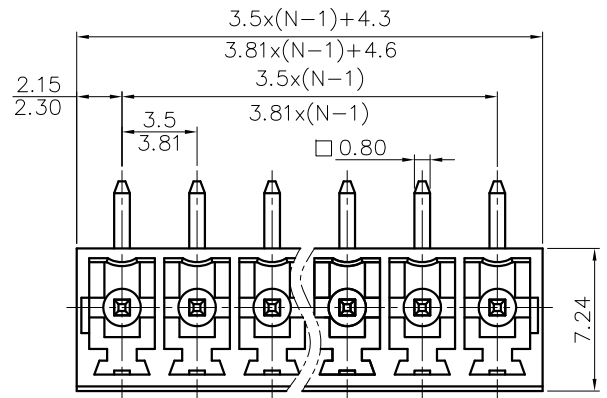
1. Pollution Degree	2
Overvoltage Category	II
Rate Impulse Voltage(KV)	2.5KV
Rate Voltage(V)	250V
Rate Current(A)	7A

NOTES2:

- 1.Dimension shall be interpreted per ASME Y14.5-2009
- 2.Pitch : 3.5/3.81mm, Poles : N=02~24P
- 3.Operating temperature: -40°C~+105°C
- 4.Undimensioned tolerances:

Pitch range in mm		Nominal dimension range in mm				Tolerances	
TO	Over	Over	Over	Over	Over	Over	
6	10	10	30	60	100	150	0.1/10
±0.15	±0.20	±0.30	±0.30	±0.50	±0.70	±1.00	±1.30
							±2*

5.RoHS Compliance



DETACHED LISTS	PART NO.:	/			宁波高松电子有限公司 NINGBO DEGSON ELECTRICAL CO., LTD	
	APPD:	/	NAME:		15EDGRC-3.5/3.81-XXP-1Y-00A(H)	
	CHKD:	/	TITLE:		CUSTOMER DRAWING	REV / DO
	DRFT:	/	DRAWING NO.:		/	SHEET / 1/1
		DO NOT SCALE DRAWING		SCALE	1:1	