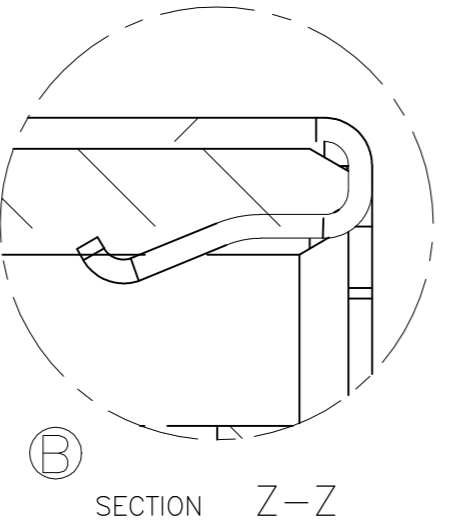
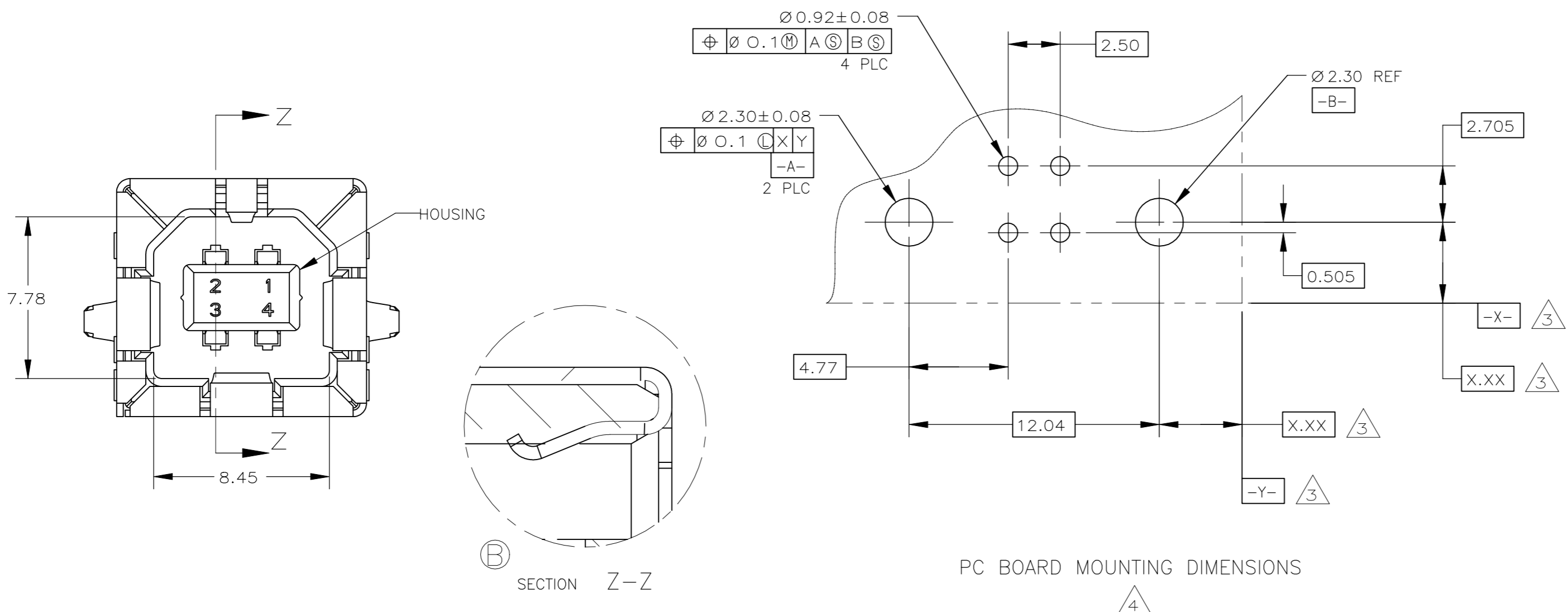


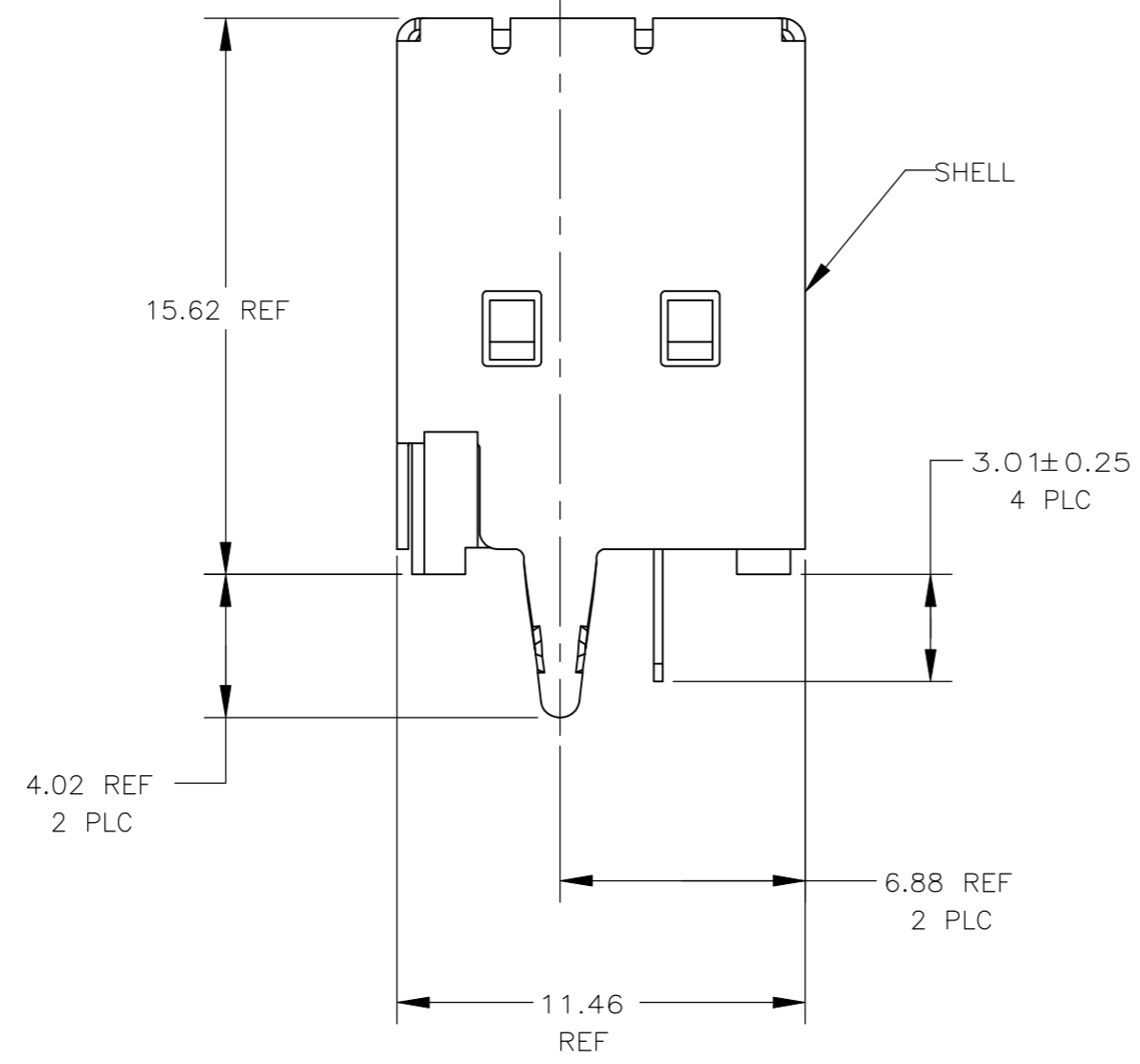
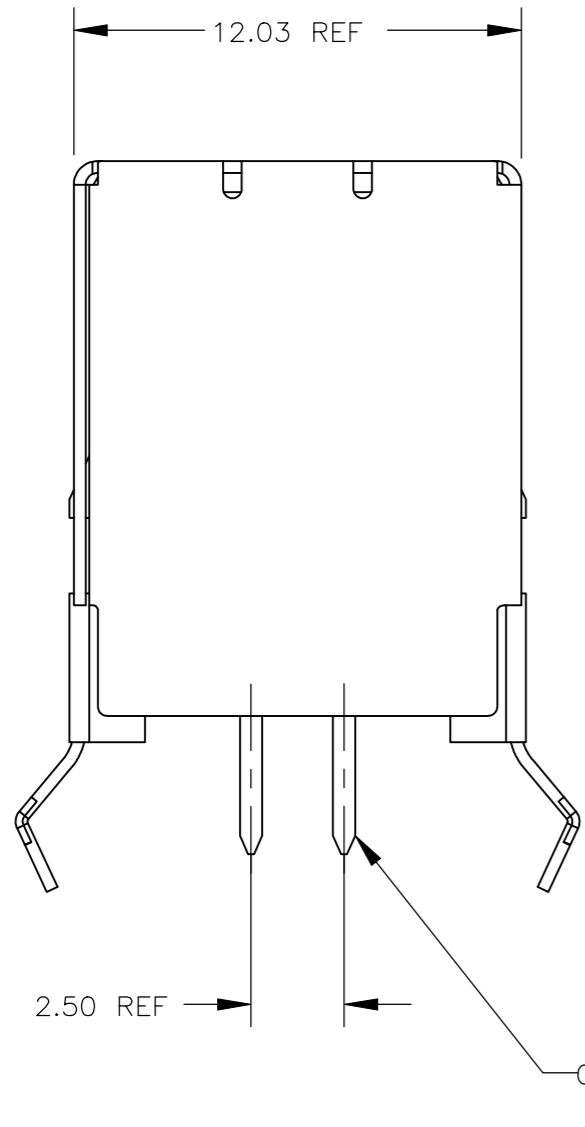
THIS DRAWING IS UNPUBLISHED. RELEASED FOR PUBLICATION
 © COPYRIGHT - By - ALL RIGHTS RESERVED.

LOC		DIST		REVISIONS			
P	LTR	DESCRIPTION	DATE	DWN	APVD		
	C	REVISED PER ECR-19-008004	22MAY2019	T.Z	S.L		

LEAD FREE



PC BOARD MOUNTING DIMENSIONS



- 1 MATERIAL:
 1 SHELL - STAINLESS STEEL.
 CONTACTS - COPPER ALLOY.
 HOUSING - UL 94V-0 RATED, THERMOPLASTIC, FOR COLOR SEE TABLE.
- 2 PLATING:
 CONTACTS - 0.076um MINIMUM GOLD OVER 0.76um MINIMUM PALLADIUM-NICKEL ON MATING AREA, 3.8um MINIMUM MATTE TIN ON SOLDER TAILS, BOTH OVER 1.27um MINIMUM NICKEL.
 CONTACT ALTERNATE PLATING: 0.76um MINIMUM GOLD ON MATING AREA, 3.80um MINIMUM MATTE TIN ON SOLDER TAILS, BOTH OVER 1.27um MINIMUM NICKEL.
 SHELL - 2~5um MINIMUM BRIGHT TIN.
- 3 DATUM AND BASIC DIMENSIONS ESTABLISHED BY CUSTOMER.
- 4 RECOMMENDED PC BOARD THICKNESS OF 1.57mm.

C	NATURAL	5787834-2
C	BLACK	5787834-1
PART VERSION	HOUSING COLOR	PART NUMBER

DIMENSIONS:		TOLERANCES UNLESS OTHERWISE SPECIFIED:		DWN		28MAY2004	
mm		0 PLC	± -	CHK	Ivanov Wang		
		1 PLC	± 0.1	CHK	Steven Yao		
		2 PLC	± 0.05	APVD	Takinori Sasaki		
		3 PLC	± 0.013	PRODUCT SPEC			
		4 PLC	± -	APPLICATION SPEC			
		ANGLES	± -	WEIGHT			
MATERIAL		FINISH		CUSTOMER DRAWING		SCALE	5:1
				SIZE	A2	CAGE CODE	00779
				DRAWING NO	C=5787834		RESTRICTED TO
				SHEET	1 of 1		REV
							C