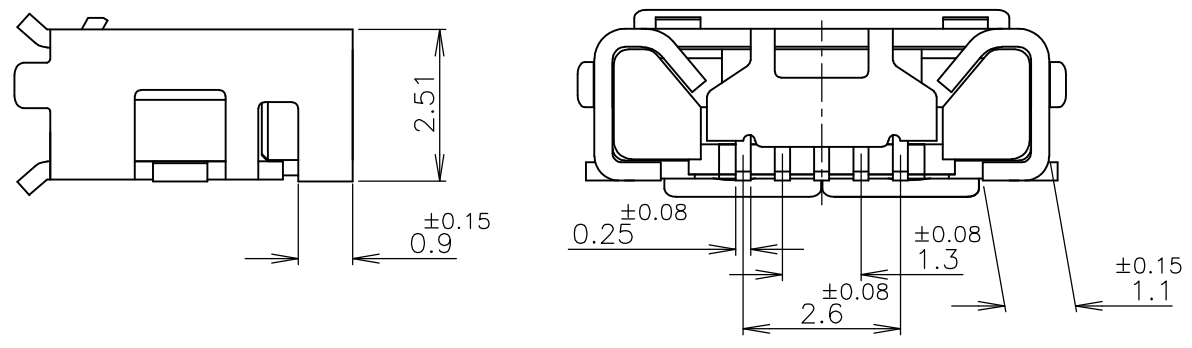
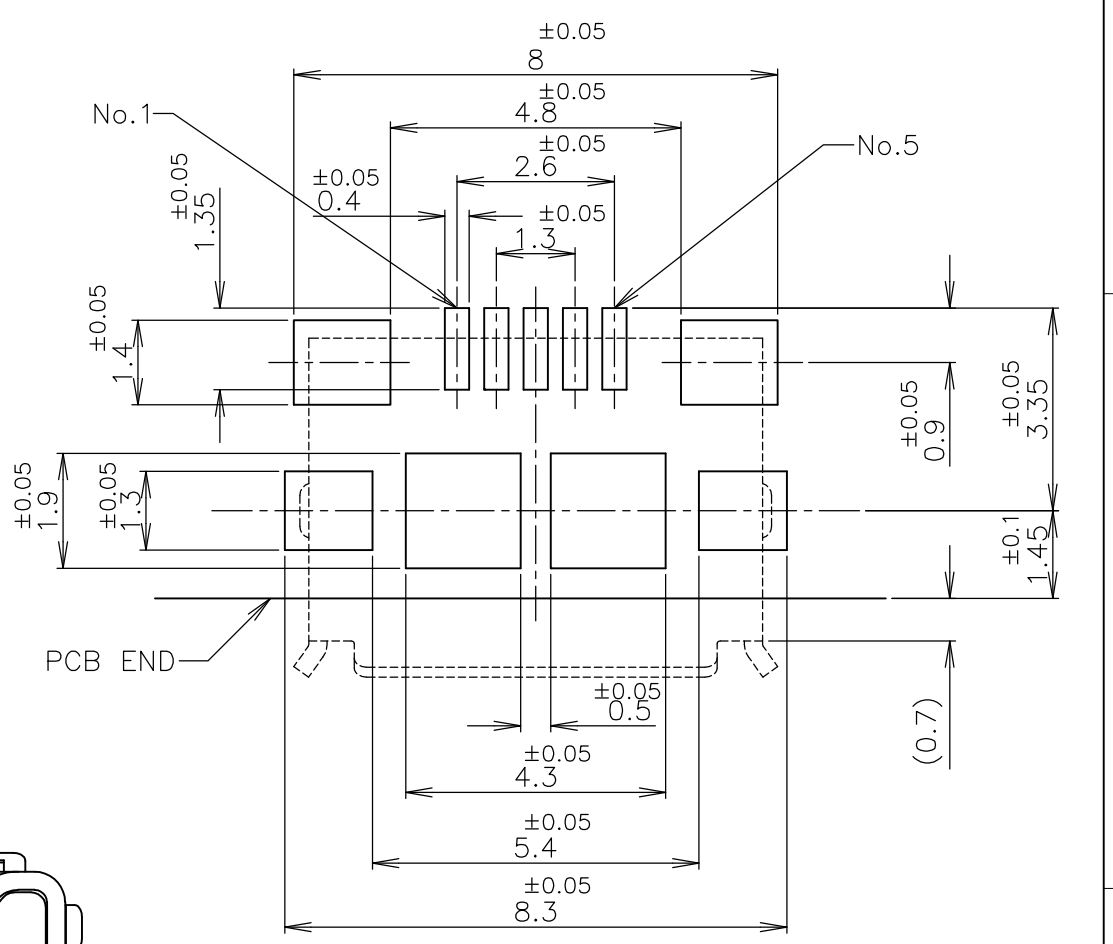
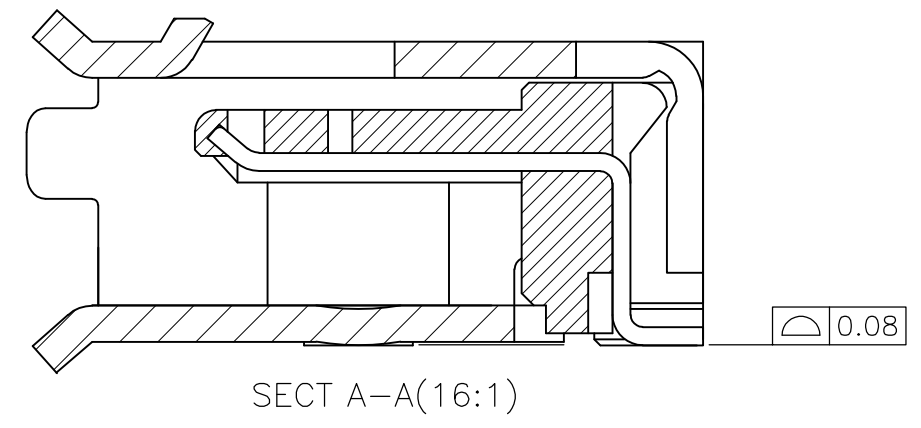
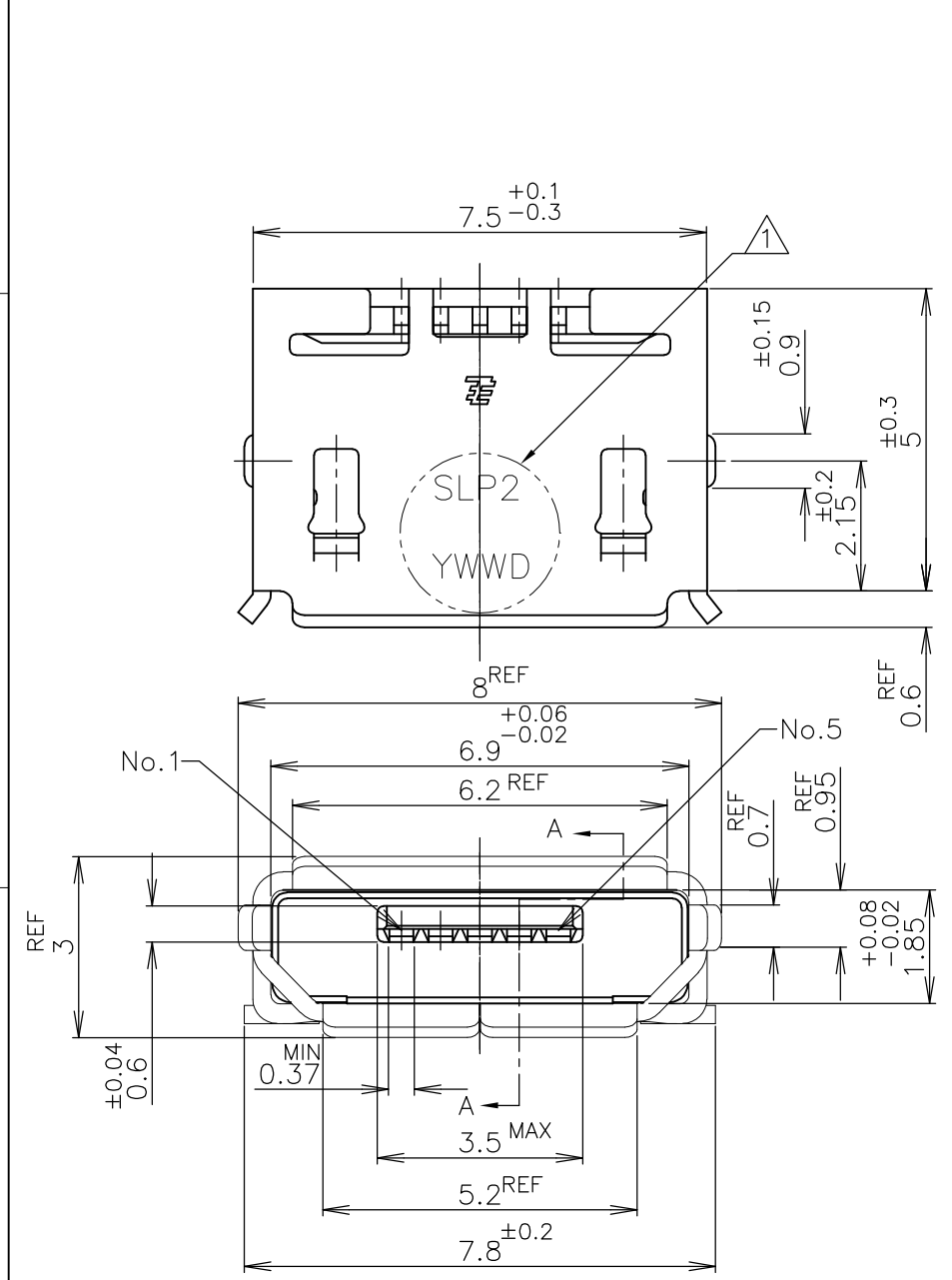


THIS DRAWING IS UNPUBLISHED. RELEASED FOR PUBLICATION JAN , 2007.
 © COPYRIGHT 2007 By - ALL RIGHTS RESERVED.

LOC	DIST	REVISIONS					
J	/	P	LTR	DESCRIPTION	DATE	DWN	APVD
		E3		REVISED PER ECR-18-018812	30NOV2018	T.Z	S.L



PCB LAYOUT(REFERENCE)
(VIEWED FROM CONNECTOR MOUNT SIDE)

- 1. DATE CODE AND VERSION MARKING
- 2. OVERALL TOLERANCE: ±0.2
- 3. MATERIAL HOUSING : THERMOPLASTIC RESIN UL94V-0
CONTACT : COPPER ALLOY
SHELL : STAINLESS STEEL
- 4. FINISH CONTACT : Ni UNDER PL
CONTACT AREA: 0.75um MIN AU PLATING
SOLDERING AREA: 0.05um-0.13um AU PLATING
SHELL : Ni UNDER PL
Sn PL

THIS DRAWING IS A CONTROLLED DOCUMENT.		DWN J.TSUJI 06AUG2007	TE Connectivity	
DIMENSIONS: 単位: 耗 MM		CHK T.KUSUHARA 07AUG2007		
TOLERANCES UNLESS OTHERWISE SPECIFIED: 一般公差		APVD T.KUSUHARA 07AUG2007	NAME 名称	
0 PLC ± - 1 PLC ± - 2 PLC ± - 3 PLC ± - 4 PLC ± - ANGLES ± 10 FINISH 仕上		PRODUCT SPEC 製品規格 108-78434	MICRO USB RECEPTACLE STANDARD TYPE B ASSY	
MATERIAL 材料		APPLICATION SPEC 取付適用規格	SIZE A3	CAGE CODE 00779
1981568-1 PART NUMBER		WEIGHT	DRAWING NO 番号 C-1981568	RESTRICTED TO -
CUSTOMER DRAWING		SCALE 尺度 8:1	SHEET 1 OF 2	REV E3

4

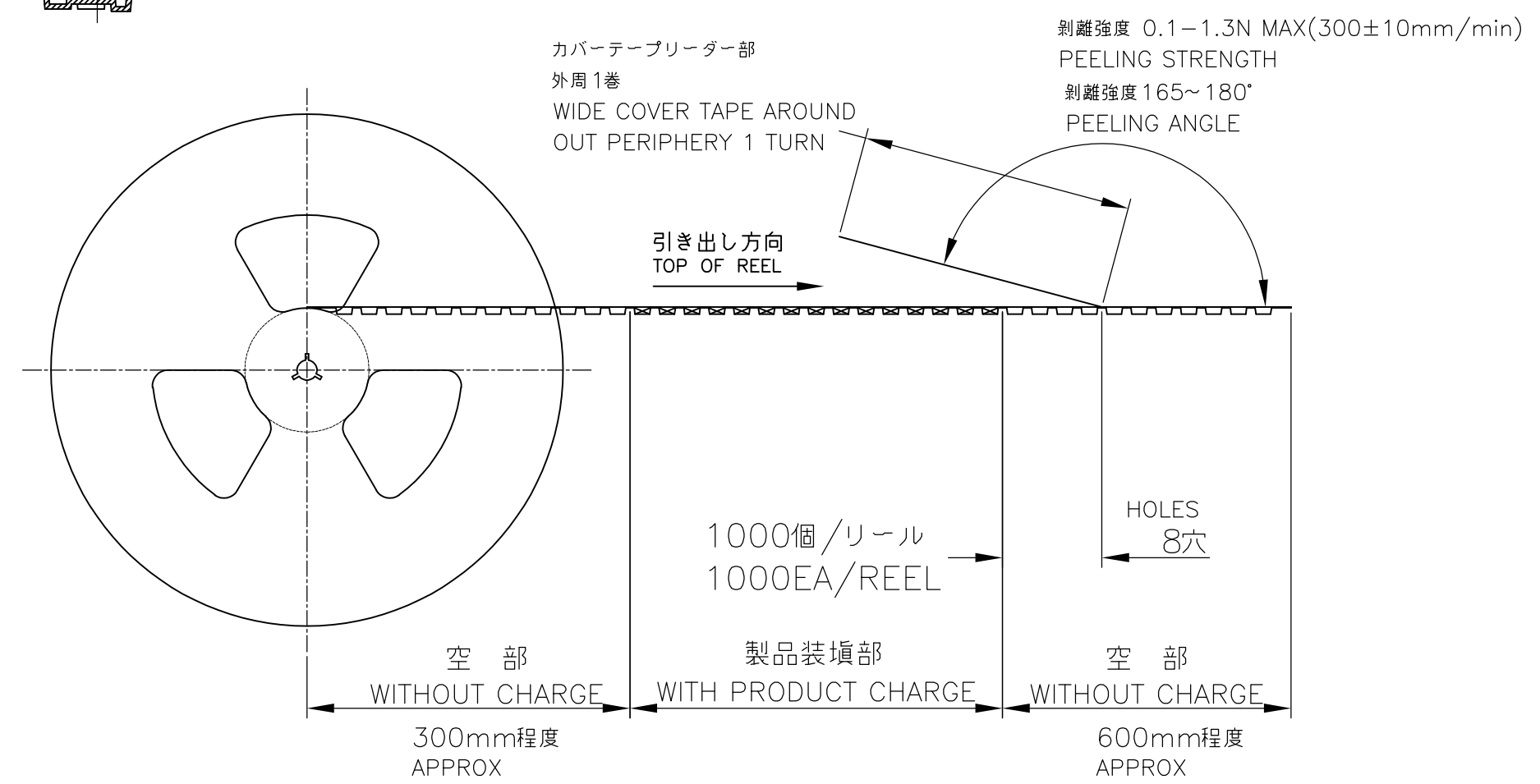
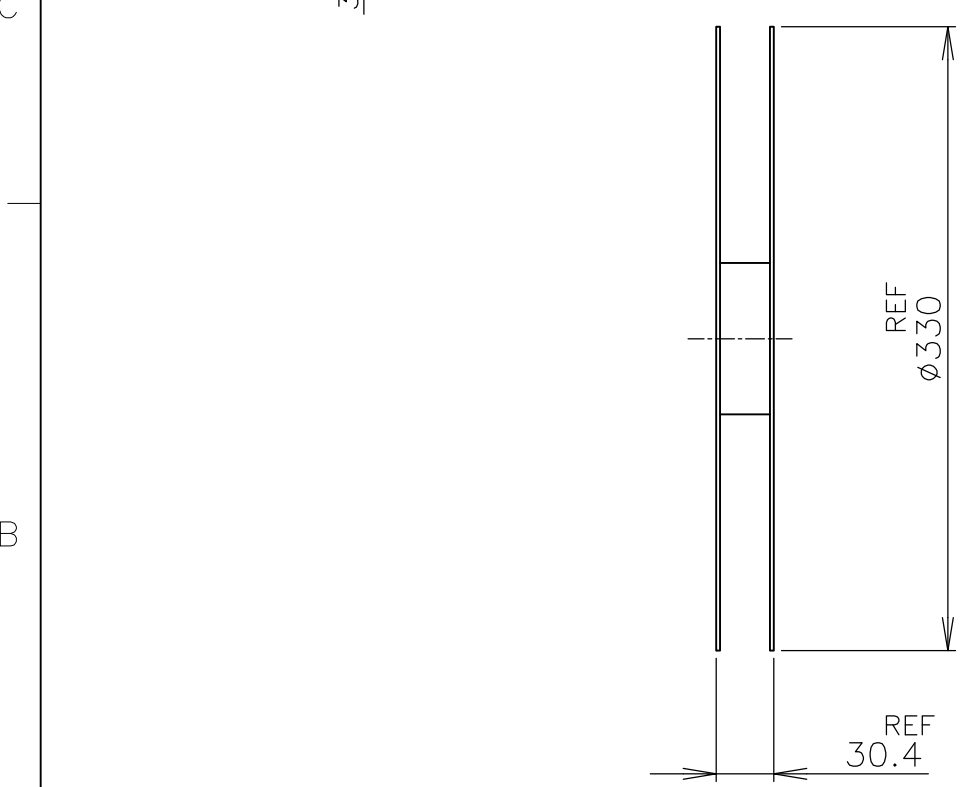
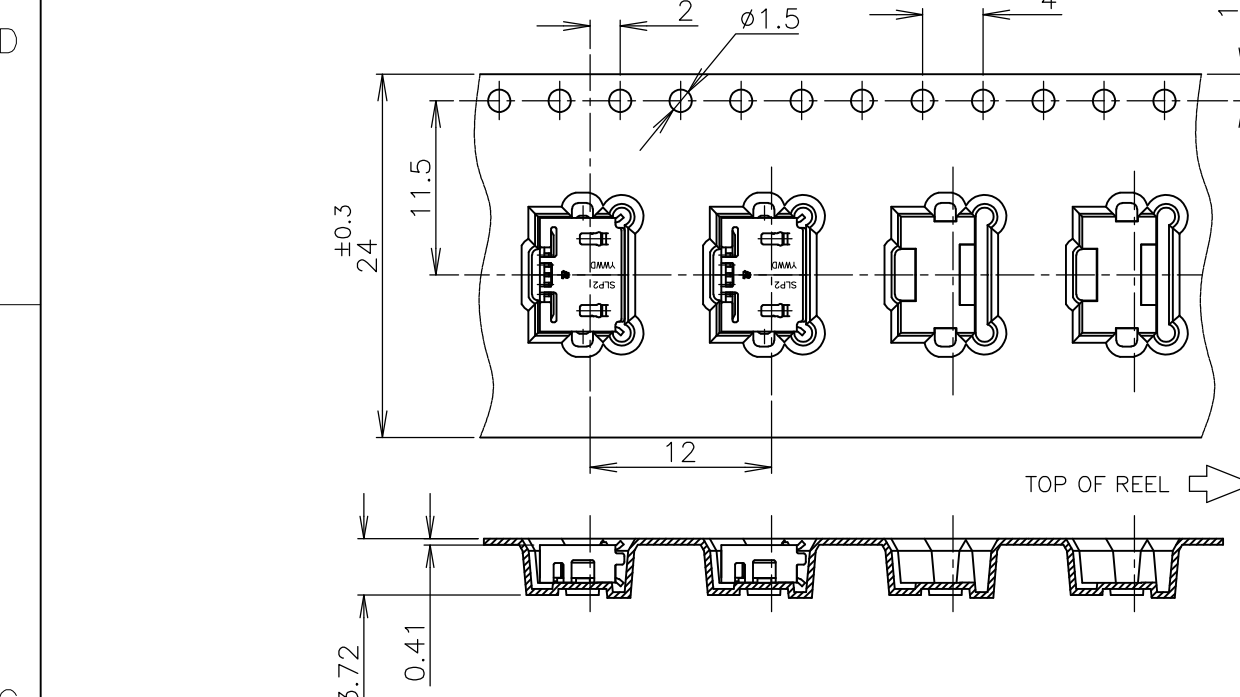
3

2

1

THIS DRAWING IS UNPUBLISHED. RELEASED FOR PUBLICATION JAN , 2007.
 © COPYRIGHT 2007 By - ALL RIGHTS RESERVED.

LOC	DIST	REVISIONS					
J	/	P	LTR	DESCRIPTION	DATE	DWN	APVD
		-		SEE SHEET 1	-	-	-



THIS DRAWING IS A CONTROLLED DOCUMENT.		DWN	TE Connectivity		
DIMENSIONS: 単位: 耗 MM		CHK	NAME 名称		
TOLERANCES UNLESS OTHERWISE SPECIFIED: 一般公差		APVD	MICRO USB RECEPTACLE STANDARD TYPE B ASSY		
0 PLC ±- 1 PLC ±- 2 PLC ±- 3 PLC ±- 4 PLC ±- ANGLES ±- MATERIAL 材料 FINISH 仕上		PRODUCT SPEC 製品規格	SIZE	CAGE CODE	DRAWING NO 番号
		APPLICATION SPEC 取付適用規格	A3	00779	C-1981568
		WEIGHT	RESTRICTED TO		
		CUSTOMER DRAWING	SCALE 尺度 2:1	SHEET 2 OF 2	REV E3