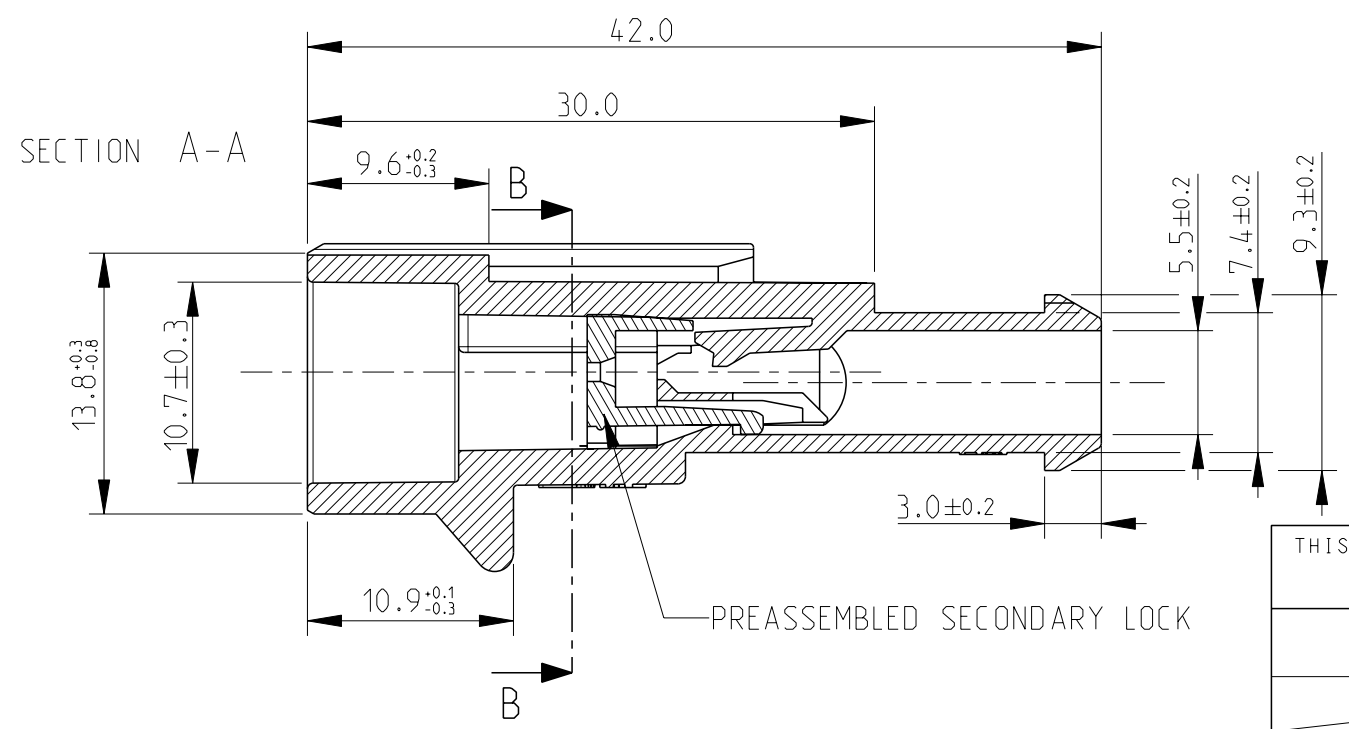
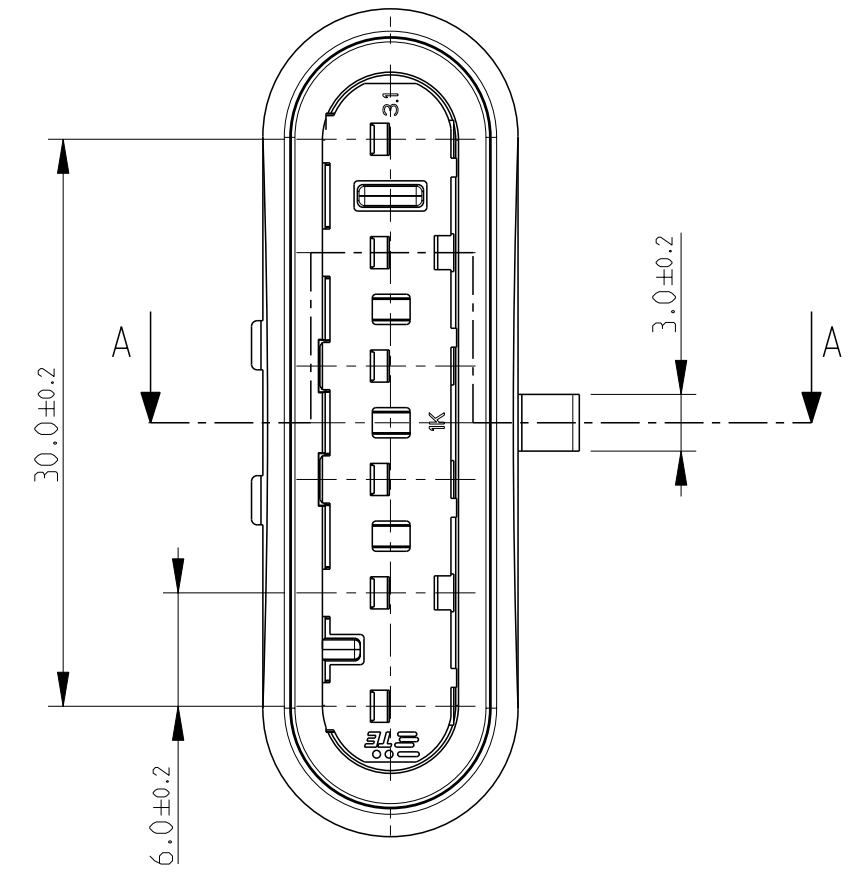
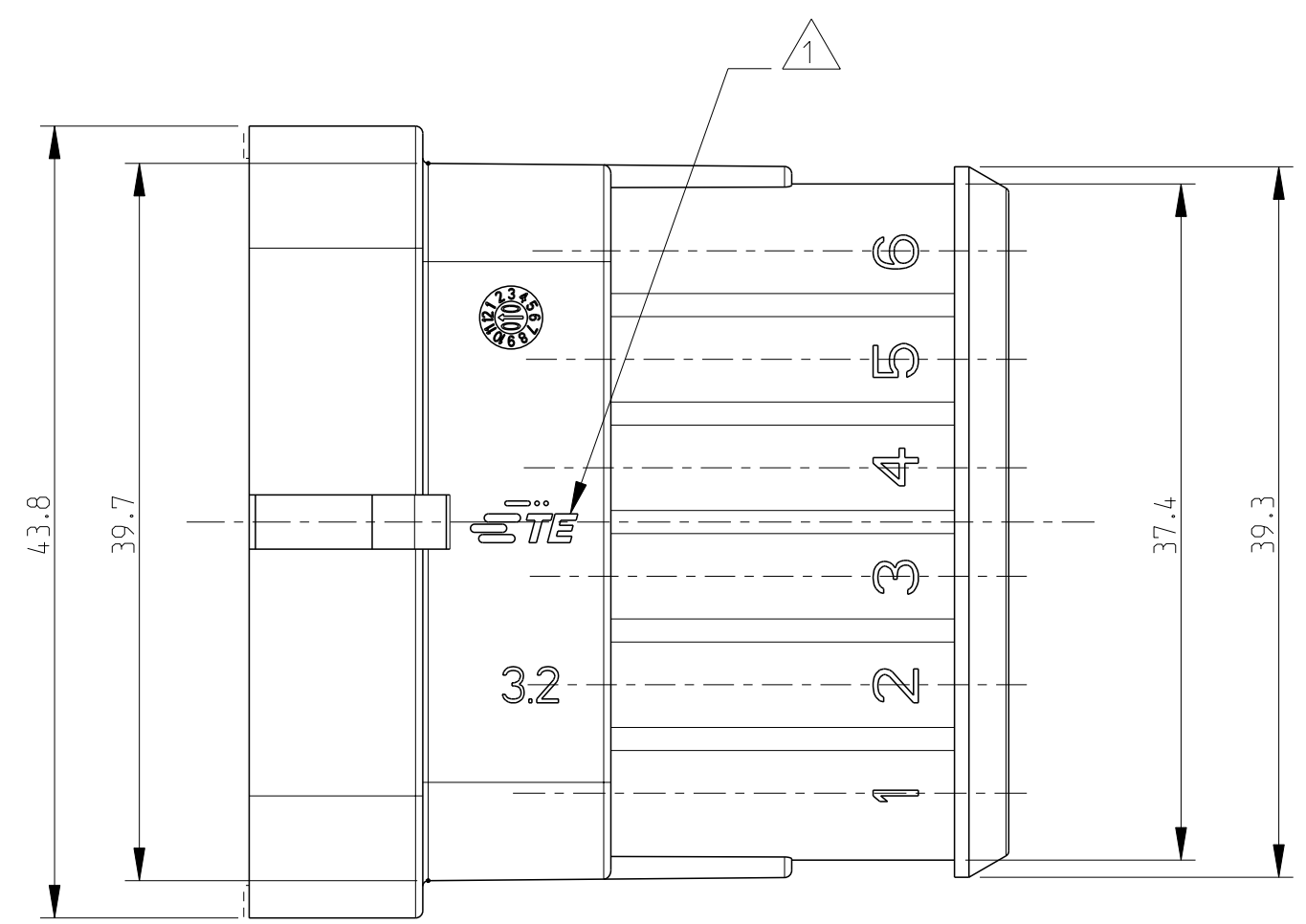
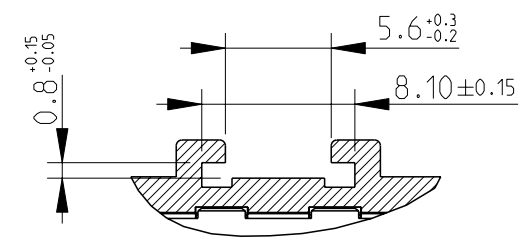


THIS DRAWING IS UNPUBLISHED. RELEASED FOR PUBLICATION 20  
 © COPYRIGHT 20 BY - ALL RIGHTS RESERVED.

REVISIONS					
P	LTR	DESCRIPTION	DATE	DWN	APVD
	C3	REVISED PER ECO-17-009774	06SEP2017	M.G.	M.G.



PART. SECTION B-B



HSG: WHITE SEC. LOCK: WHITE	PA66-GF UL94-V2 ACC. TO IEC 60335-1	A	1745084-1
HSG: GRAY SEC. LOCK: RED	PA66-GF	C	282108-2
HSG: BLACK SEC. LOCK: RED	PA66-GF	C	282108-1
FINISH/COLOR	MATERIAL	REV	PART NUMBER

TE CONNECTIVITY TRADE MARK,  
 (IN ALTERNATIVE: "AMP" LOGO, OR "Tyco Electronics" LOGO)

THIS DRAWING IS A CONTROLLED DOCUMENT.		DWN C. BERTINI 02-1990	TE Connectivity	
DIMENSIONS: mm		CHK A. BRUNI 02-1990		
TOLERANCES UNLESS OTHERWISE SPECIFIED:		APVD -	NAME AMP SUPERSEAL 1.5 SRS. 6 POSITIONS TAB ASS'Y	
0 PLC ± 1 PLC ±0.3 2 PLC ± 3 PLC ± 4 PLC ± ANGLES ±2°		PRODUCT SPEC 108-20090	SIZE A3	
MATERIAL SEE TABLE		APPLICATION SPEC 412-20000	CAGE CODE -	DRAWING NO C-282108
FINISH SEE TABLE		WEIGHT 8.9g	RESTRICTED TO -	SCALE 5:2
		CUSTOMER DRAWING	SHEET 1 OF 1	REV C3