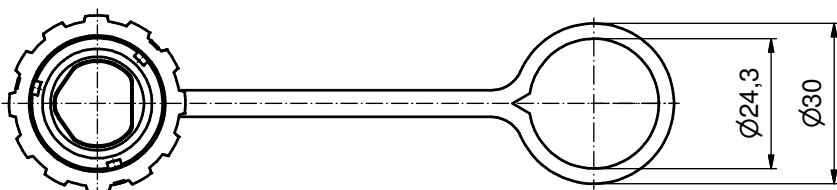
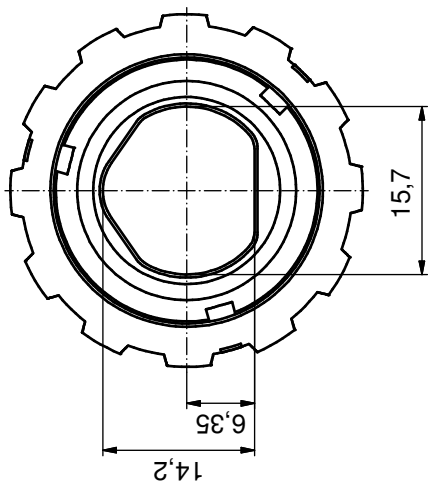
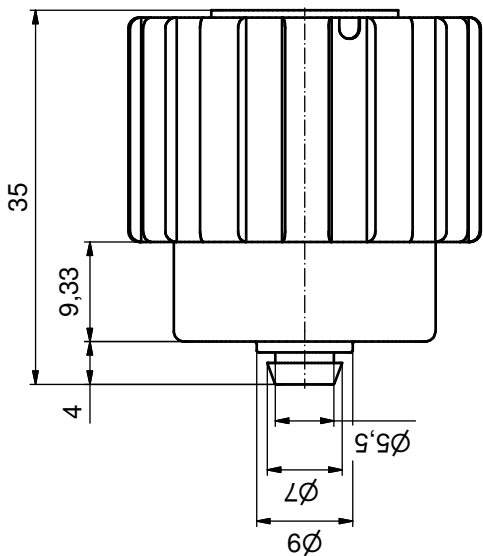
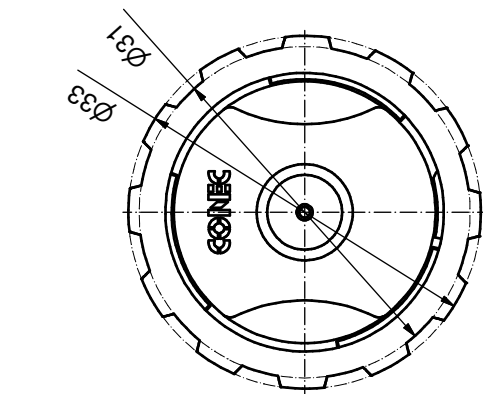


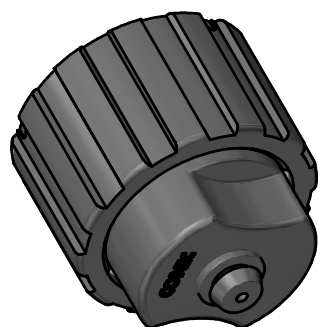
1 2 3 4 5 6

VIEWES WITHOUT TETHER



NOTES:

1. MATERIAL AND FINISH:
 - COUPLER RING: PA GF (BLACK); UL94 V-0; UL (f1) RATED
 - COVER HOUSING: PA GF (BLACK); UL94 V-0; UL (f1) RATED
 - TETHER: PE-SW (BLACK),
 - INTERFACIAL SEAL: SILICONE; COLOR: WHITE
 - RETAINING RING: STAINLESS STEEL
2. OPERATING TEMPERATURE: -40°C to +85°C
3. IP67 RATED WHEN COVERED OR FULLY MATED WITH THE APPROPRIATE MATING CONNECTOR



DO NOT ALTER CAD DRAWING BY HAND
OWNERSHIP AND COPYRIGHT OF CONEC GMBH
THIS DRAWING MAY NOT BE COPIED OR REPRODUCED IN ANY WAY, AND MAY NOT BE PASSED ON TO A THIRD PARTY WITHOUT WRITTEN PERMISSION.

tolerance	dim. in mm	name	date
		Henneboel	20.04.15
		Koch	20.04.15
		norm	
		d-old	

scale:	2:1 (1:1)
material:	see notes
title:	Protective Cover for IP67 Duplex Power 3pos Female Receptacle Assembly
dwg no.:	17K1A463
DIN-A3	sh: 1
part no.:	17-400400

rev.	description	date	name
1 x b	A6182	06.06.2016	K.H.
a	Original		

CONEC

RoHS compliant