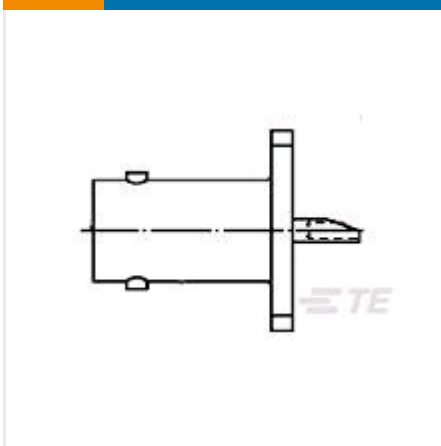




CONNECTORS

RF CONNECTORS



✓ Active

TE CONNECTIVITY (TE)

3252 0000 10

Miniature Coax

1058014-1

TE Internal Number: 1058014-1

Alias ID: 3252-0000-10

EU RoHS Compliant with Exemptions

EU ELV Compliant with Exemptions

Connector Interface BNC

Connector Style Jack

Mated Outer Diameter (Approximate) 14.529 mm [ .572 in ]

Impedance ( $\Omega$ ) 50

Operating Frequency (GHz) 4

[↓ PRODUCT DRAWING](#)  
English

[↓ 3D PDF](#)

## DOCUMENTATION

Product Drawings

**BNC FLANGE MOUNT JACK RECEPTACLE SOLDER POT TERMINAL**

PDF (TIFF AVAILABLE)

English

CAD Files

**3D PDF**

PDF

3D

**Customer View Model**

2D\_DXF.ZIP

English

## Customer View Model

3D\_IGS.ZIP

English

## Customer View Model

3D\_STP.ZIP

English

## FEATURES



Please review product documents or [contact us](#) for the latest agency approval information.

Please Note: Use the Product Drawing for all design activity.

### Product Type Features

**Connector Interface** BNC

**Connector Style** Jack

**Sealable** No

**Connector & Contact Terminates To** Wire & Cable

### Configuration Features

**Number of Positions** 1

### Electrical Characteristics

**Impedance ( $\Omega$ )** 50

**Insulation Resistance (M $\Omega$ )** 10000

### Body Features

**Cable Connector Orientation** Straight

**Body Material** Brass

**Body Plating Material** Nickel over Copper

**Body Insulation** Without

### Contact Features

**Center Contact Plating Material** Gold over Copper

**Center Contact Material** Beryllium Copper

**Center Contact Plating Thickness ( $\mu$ in)** 2667

### Termination Features

**Termination Method to Wire & Cable** Solder Terminal

### Mechanical Attachment

**Panel Mount Retention Type** Flange

**Connector Mounting Type** Panel

**Panel Attachment Style** Rear Mount

### Dimensions

**Mated Outer Diameter (Approximate)** 14.529 mm [ .572 in ]

---

Operation/Application

**Operating Frequency (GHz)** 4

---

Packaging Features

**Packaging Method** Carton

---

Other

**Dielectric Material** TFE Fluorocarbon

**Grade** Commercial

---

## PRODUCT COMPLIANCE



Statement of Compliance

**Statement of Compliance**

PDF

---