

**JUMO GmbH & Co. KG**

Delivery address: Mackenrodtstraße 14  
36039 Fulda, Germany  
Postal address: 36035 Fulda, Germany  
Phone: +49 661 6003-0  
Fax: +49 661 6003-607  
E-mail: mail@jumo.net  
Internet: www.jumo.net

**JUMO Instrument Co. Ltd.**

JUMO House  
Temple Bank, Riverway  
Harlow, Essex CM20 2DY, UK  
Phone: +44 1279 635533  
Fax: +44 1279 635262  
E-mail: sales@jumo.co.uk  
Internet: www.jumo.co.uk

**JUMO Process Control, Inc.**

8 Technology Boulevard  
Canastota, NY 13032, USA  
Phone: 315-697-5866  
1-800-554-JUMO  
Fax: 315-697-5867  
E-mail: info.us@jumo.net  
Internet: www.jumousa.com



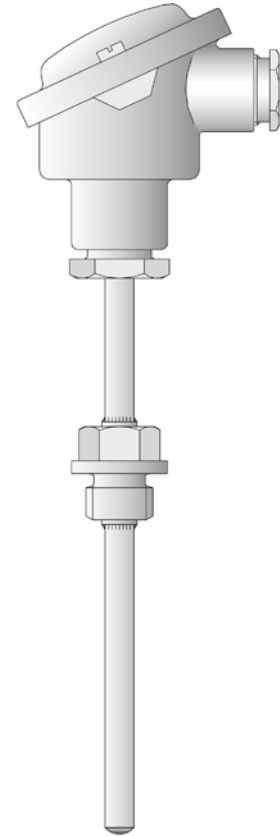
## Screw-in RTD temperature probes with terminal head form B

- For temperatures from -50 to +600 °C
- With replaceable measuring insert
- As single or double RTD temperature probes
- Connection head form B, BUZ, BUZH, BBK
- Available with transmitter

Screw-in RTD temperature probes are mainly used for measuring temperatures in fluids and gasses. A decisive selection criterion is the reliable sealing feature of this installation type with vacuum and with overpressure. The application areas are, among others, in the air conditioning technology and refrigeration engineering as well as the HVAC, kiln and apparatus engineering sector.

The connection head is suitable for temperatures up to +100 °C. The versions BUZ, BUZH and BBK are also available in addition to the standard connection head, form B.

A Pt100 temperature sensing element according to DIN EN 60751, class B in 2-wire circuit is used as a measuring insert by default – versions with Pt500 or Pt1000 are also possible. Connection is available in 3-wire or 4-wire circuit as an option. A transmitter can be optionally integrated into the connection head.



### Technical data

**Terminal head**

Form B DIN 43729, die-cast aluminum, M20 × 1.5; IP65, ambient temperature -40 to +100 °C  
Form BUZ, die-cast aluminum, M20 × 1.5; IP65, ambient temperature -40 to +100 °C  
Form BUZH, die-cast aluminum, M20 × 1.5; IP65, ambient temperature -40 to +100 °C  
Form BBK, plastic, M20 × 1.5; IP54, ambient temperature -30 to +130 °C  
Caution: reduced ambient temperature range when using transmitters, data sheets 707010, 707030 and 707060

**Extension tube**

Stainless steel 1.4571, length 130 mm

**Process connection**

Thread, stainless steel 1.4571  
Thermowell, stainless steel 1.4571 or steel 1.7335

**Thermowell**

Stainless steel 1.4571, Ø 9 mm, Ø 11 mm, Ø 12 mm

**Measuring insert**

Replaceable, Pt100 temperature probe, DIN EN 60751, class B, 2-wire circuit

**Response times**

$t_{0.9}$  approx. 50 s, in water 0.2 m/s, Ø 9 mm

**Transmitter**

analog transmitter, 4 to 20 mA output, data sheet 707030  
analog transmitter, 0 to 10 V output, data sheet 707030  
programmable transmitter, 4 to 20 mA/20 to 4 mA output, data sheet 707010  
Wtrans B programmable head transducer with radio transmission, data sheet 707060 (suitable Wtrans receivers, data sheet 902931)

**Accessories**

Thermowell, data sheet 909710

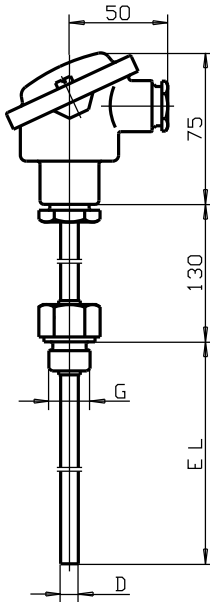
**JUMO GmbH & Co. KG**  
 Delivery address: Mackenrodtstraße 14  
 36039 Fulda, Germany  
 Postal address: 36035 Fulda, Germany  
 Phone: +49 661 6003-0  
 Fax: +49 661 6003-607  
 E-mail: mail@jumo.net  
 Internet: www.jumo.net

**JUMO Instrument Co. Ltd.**  
 JUMO House  
 Temple Bank, Riverway  
 Harlow, Essex CM20 2DY, UK  
 Phone: +44 1279 635533  
 Fax: +44 1279 635262  
 E-mail: sales@jumo.co.uk  
 Internet: www.jumo.co.uk

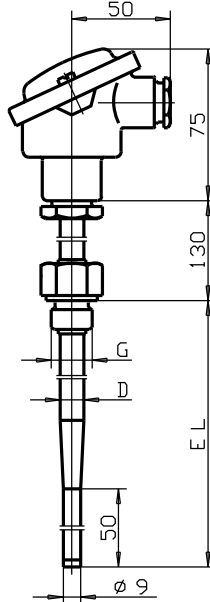
**JUMO Process Control, Inc.**  
 8 Technology Boulevard  
 Canastota, NY 13032, USA  
 Phone: 315-697-5866  
 1-800-554-JUMO  
 Fax: 315-697-5867  
 E-mail: info.us@jumo.net  
 Internet: www.jumousa.com



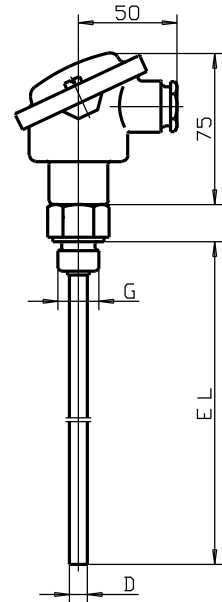
**Dimensions**



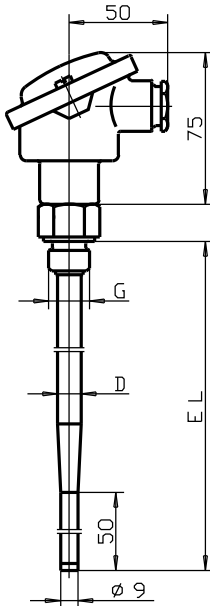
**Basic type 902020/10**



**Basic type 902020/11**



**Basic type 902020/20**

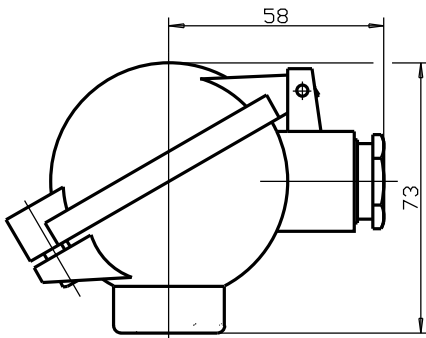


**Basic type 902020/21**

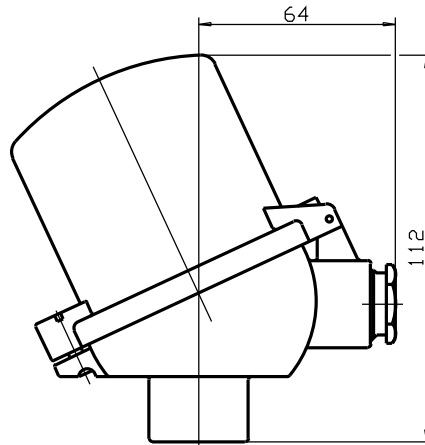
**JUMO GmbH & Co. KG**  
 Delivery address: Mackenrodtstraße 14  
 36039 Fulda, Germany  
 Postal address: 36035 Fulda, Germany  
 Phone: +49 661 6003-0  
 Fax: +49 661 6003-607  
 E-mail: mail@jumo.net  
 Internet: www.jumo.net

**JUMO Instrument Co. Ltd.**  
 JUMO House  
 Temple Bank, Riverway  
 Harlow, Essex CM20 2DY, UK  
 Phone: +44 1279 635533  
 Fax: +44 1279 635262  
 E-mail: sales@jumo.co.uk  
 Internet: www.jumo.co.uk

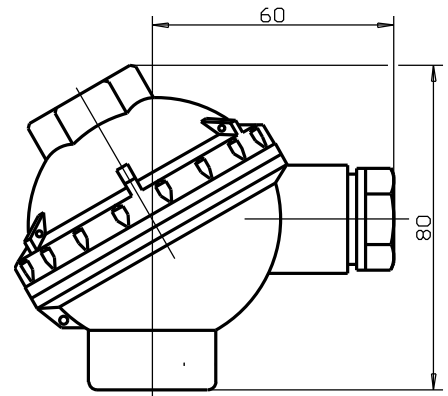
**JUMO Process Control, Inc.**  
 8 Technology Boulevard  
 Canastota, NY 13032, USA  
 Phone: 315-697-5866  
 1-800-554-JUMO  
 Fax: 315-697-5867  
 E-mail: info.us@jumo.net  
 Internet: www.jumousa.com



**Terminal head Form BUZ**  
 extra code 320



**Terminal head Form BUZH**  
 extra code 321



**Connection head form BBK**  
 extra code 322

**JUMO GmbH & Co. KG**  
 Delivery address: Mackenrodtstraße 14  
 36039 Fulda, Germany  
 Postal address: 36035 Fulda, Germany  
 Phone: +49 661 6003-0  
 Fax: +49 661 6003-607  
 E-mail: mail@jumo.net  
 Internet: www.jumo.net

**JUMO Instrument Co. Ltd.**  
 JUMO House  
 Temple Bank, Riverway  
 Harlow, Essex CM20 2DY, UK  
 Phone: +44 1279 635533  
 Fax: +44 1279 635262  
 E-mail: sales@jumo.co.uk  
 Internet: www.jumo.co.uk

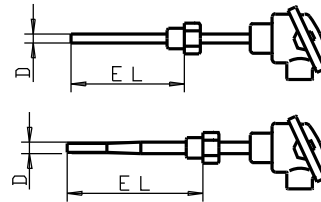
**JUMO Process Control, Inc.**  
 8 Technology Boulevard  
 Canastota, NY 13032, USA  
 Phone: 315-697-5866  
 1-800-554-JUMO  
 Fax: 315-697-5867  
 E-mail: info.us@jumo.net  
 Internet: www.jumousa.com



**Order specifications: Screw-in RTD temperature probe with form B connection head**

**(1) Basic type**

902020/10	Screw-in RTD temperature probes with extension tube and continuous thermowell
902020/11	Screw-in RTD temperature probes with extension tube and stepped thermowell



**(2) Operating temperature in °C**

x x	402	-50 to +400 °C (standard)
x x	415	-50 to +600 °C

**(3) Measuring insert**

x x	1001	1× Pt100 in 3-wire-circuit
x x	1003	1× Pt100 in 2-wire circuit
x x	1011	1× Pt100 in 4-wire circuit
x x	2001	2× Pt100 in 3-wire circuit
x x	2003	2× Pt100 in 2-wire circuit

**(4) Tolerance class according to DIN EN 60751**

x x	1	Class B (standard)
x x	2	Class A

**(5) Thermowell diameter D in mm**

x	9	Ø 9 mm
x	11	Ø 11 mm
x	12	Ø 12 mm stepped down to 9 mm

**(6) Fitting length EL in mm (EL 100 ... 1000 mm, EL ≤ 700 mm for basic type 902020/11)**

x x	160	160 mm
x	220	220 mm
x x	250	250 mm
x	280	280 mm
x x	400	400 mm
x x	...	Specification in plain text (50 mm steps)

**(7) Process connection**

x x	104	Screw-connection G 1/2
x x	105	Screw-connection G 3/4
x x	106	Screw connection G 1

**(8) Extra codes**

x x	000	no extra code
x x	306	Extension tube 70 mm
x x	320	terminal head Form BUZ
x x	321	terminal head Form BUZH
x x	322	Connection head form BBK
x x	330	1× analog transmitter, 4 to 20 mA <sup>2</sup> output, data sheet 707030
x x	331	1× transmitter programmable output 4 to 20 mA/20 to 4 mA <sup>3</sup> , data sheet 707010
x x	333	1× analog transmitter, 0 to 10V <sup>2</sup> output, data sheet 707030
x x	334	2× analog transmitters, 4 to 20 mA <sup>2</sup> output, data sheet 707030
x x	335	2× transmitter programmable output 4 to 20 mA/20 to 4 mA <sup>3</sup> , data sheet 707010
x x	337	2× analog transmitters, 0 to 10 V <sup>2</sup> output, data sheet 707030
x x	859	1× Wtrans B programmable head transducer with radio transmission, data sheet 707060

<b>Order code</b>	(1)	(2)	(3)	(4)	(5)	(6)	(7)	(8)	...	1					
<b>Order example</b>	902020/10	-	402	-	1001	-	1	-	11	-	250	-	106	/	000

<sup>1</sup> List extra codes in sequence, separated by commas.  
<sup>2</sup> Specify measuring range in plain text.  
<sup>3</sup> Specify measuring range and output signal in plain text.

**JUMO GmbH & Co. KG**  
 Delivery address: Mackenrodtstraße 14  
 36039 Fulda, Germany  
 Postal address: 36035 Fulda, Germany  
 Phone: +49 661 6003-0  
 Fax: +49 661 6003-607  
 E-mail: mail@jumo.net  
 Internet: www.jumo.net

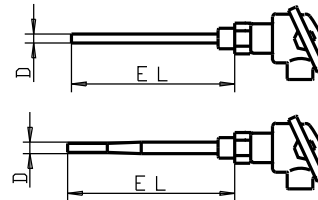
**JUMO Instrument Co. Ltd.**  
 JUMO House  
 Temple Bank, Riverway  
 Harlow, Essex CM20 2DY, UK  
 Phone: +44 1279 635533  
 Fax: +44 1279 635262  
 E-mail: sales@jumo.co.uk  
 Internet: www.jumo.co.uk

**JUMO Process Control, Inc.**  
 8 Technology Boulevard  
 Canastota, NY 13032, USA  
 Phone: 315-697-5866  
 1-800-554-JUMO  
 Fax: 315-697-5867  
 E-mail: info.us@jumo.net  
 Internet: www.jumousa.com



**Order specifications: Screw-in RTD temperature probe with connection head form B**

<b>(1) Basic type</b>	
902020/20	Screw-in RTD temperature probes without extension tube and continuous thermowell
902020/21	Screw-in RTD temperature probes without extension tube and stepped thermowell
<b>(2) Operating temperature in °C</b>	
x x	402 -50 to +400 °C (standard)
x x	415 -50 to +600 °C
<b>(3) Measuring insert</b>	
x x	1001 1× Pt100 in 3-wire-circuit
x x	1003 1× Pt100 in 2-wire circuit
x x	1011 1× Pt100 in 4-wire circuit
x x	2001 2× Pt100 in 3-wire circuit
x x	2003 2× Pt100 in 2-wire circuit
<b>(4) Tolerance class according to DIN EN 60751</b>	
x x	1 Class B (standard)
x x	2 Class A
<b>(5) Thermowell diameter D in mm</b>	
x	9 Ø 9 mm
x	11 Ø 11 mm
x	12 Ø 12 mm stepped down to 9 mm
<b>(6) Fitting length EL in mm (EL 100 ... 1000 mm, EL ≤ 700 mm for basic type 902020/21)</b>	
x x	100 100 mm
x x	160 160 mm
x x	250 250 mm
x x	400 400 mm
x x	... Specification in plain text (50 mm steps)
<b>(7) Process connection</b>	
x x	104 Screw-connection G 1/2
x x	105 Screw-connection G 3/4
x x	106 Screw connection G 1
<b>(8) Extra codes</b>	
x x	000 no extra code
x x	320 terminal head Form BUZ
x x	321 terminal head Form BUZH
x x	322 Connection head form BBK
x x	330 1× analog transmitter, 4 to 20 mA <sup>2</sup> output, data sheet 707030
x x	331 1× transmitter programmable output 4 to 20 mA/20 to 4 mA <sup>3</sup> , data sheet 707010
x x	333 1× analog transmitter, 0 to 10 V <sup>2</sup> output, data sheet 707030
x x	334 2× analog transmitters, 4 to 20 mA <sup>2</sup> output, data sheet 707030
x x	335 2× transmitter, programmable, output 4 to 20 mA/20 to 4 mA <sup>3</sup> , data sheet 707010
x x	337 2× analog transmitters, 0 to 10 V <sup>2</sup> output, data sheet 707030
x x	859 1× Wtrans B programmable head transducer with radio transmission, data sheet 707060



<b>Order code</b>	(1)	(2)	(3)	(4)	(5)	(6)	(7)	(8)	,... <sup>1</sup>						
<b>Order example</b>	902020/20	-	402	-	1001	-	1	-	9	-	160	-	104	/	000

<sup>1</sup> List extra codes in sequence, separated by commas.  
<sup>2</sup> Specify measuring range in plain text.  
<sup>3</sup> Specify measuring range and output signal in plain text.

**JUMO GmbH & Co. KG**

Delivery address: Mackenrodtstraße 14  
36039 Fulda, Germany  
Postal address: 36035 Fulda, Germany  
Phone: +49 661 6003-0  
Fax: +49 661 6003-607  
E-mail: mail@jumo.net  
Internet: www.jumo.net

**JUMO Instrument Co. Ltd.**

JUMO House  
Temple Bank, Riverway  
Harlow, Essex CM20 2DY, UK  
Phone: +44 1279 635533  
Fax: +44 1279 635262  
E-mail: sales@jumo.co.uk  
Internet: www.jumo.co.uk

**JUMO Process Control, Inc.**

8 Technology Boulevard  
Canastota, NY 13032, USA  
Phone: 315-697-5866  
1-800-554-JUMO  
Fax: 315-697-5867  
E-mail: info.us@jumo.net  
Internet: www.jumousa.com

**Stock versions**

(1)	(2)	(3)	(4)	(5)	(6)	(7)	(8)	Part no.
902020/10	- 402	- 1003	- 1	- 9	- 160	- 104	/ 000	00055562
902020/10	- 402	- 1003	- 1	- 9	- 250	- 104	/ 000	00055563
902020/10	- 402	- 1003	- 1	- 9	- 400	- 104	/ 000	00055564
902020/10	- 402	- 2003	- 1	- 9	- 160	- 104	/ 000	00055565
902020/10	- 402	- 2003	- 1	- 9	- 250	- 104	/ 000	00055566
902020/10	- 402	- 2003	- 1	- 9	- 400	- 104	/ 000	00055567
902020/10	- 402	- 1001	- 1	- 9	- 160	- 104	/ 330 (0 to 100 °C)	00054616
902020/10	- 402	- 1001	- 1	- 9	- 160	- 104	/ 330 (0 to 200 °C)	00087522
902020/10	- 402	- 1001	- 1	- 9	- 250	- 104	/ 330 (0 to 100 °C)	00054617
902020/10	- 402	- 1001	- 1	- 9	- 250	- 104	/ 330 (0 to 200 °C)	00087527
902020/10	- 402	- 1001	- 1	- 9	- 400	- 104	/ 331 (0 to 100 °C)	00335111

**Accessories for programmable 2-wire transmitter type 707010  
in the accessories data sheet 709770**

Part	Part no.
PC interface with TTL/RS232 converter and adapter (socket connector)	00350260
PC interface with USB/TTL converter, adapter (socket connector) and adapter (pins)	00456352
Special programming (standard measuring range 0 to 100 °C)	-
Setup program on CD-ROM, multilingual	00378733

**Accessories for Wtrans B, programmable head transmitter with radio transmission  
Type 707060**

Part	Part no.
Lithium battery 3.6 V, 2.2 Ah (size AA)	00547559
PC interface with USB/TTL converter, adapter (socket) and adapter (pins)	00456352
PC interface with TTL/RS232 converter and adapter (socket connector)	00350260
Setup program on CD-ROM, multilingual	00488887
Setup program including OnlineChart on CD-ROM, multilingual	00549067
OnlineChart activation	00549188