

PRODUCT NUMBER

10129378 - X YY XXX X LF

LEAD FREE OPTION
(SEE NOTES 7)

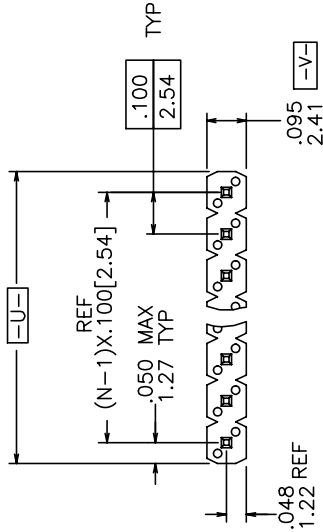
PACKAGING OPTIONS
(SEE NOTE 3)

INDICATES DIFFERENT MATING LENGTH
TAIL LENGTH AND OTHER OPTIONS
(SEE TABLE IN SHEET 2)

NO. OF
POSITIONS
(SEE NOTE 2)

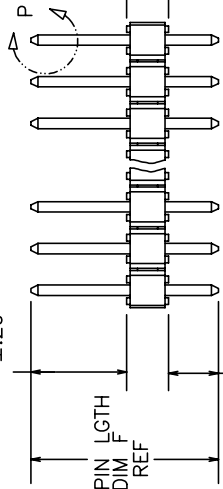
PIN PLATING
(SEE SHEET 2)

BASE PART NO.



RECOMMENDED HOLE PATTERN

MATING LENGTH
DIM H ±.20



SQ .025±.001
SQ 0.64±.03TYP

⊕ ⌀.020/.51 (M) U (M) V (S)

SQ .013 MAX TYP

SQ 0.33 TYP

25°±5° TYP
4 SIDES

DETAIL P
TYP BOTH ENDS

NOTE 4

NOTE 5

.008 [0.20]
REF TYP

mat'l. code		surface	tolerance	projection	product family
SEE NOTES 1		ISD 1302	ISD 406	ISD 1101	ECONOSTIK
tr	recl	n	dr	date	title
A	NEW	ZK	04/23/14	ZK	ECONOSTIK HEADER
B	EX-N-18529	ZK	06/14/14	ZK	.100/2.54cc SR STRAIGHT
		angles	linear	scale	2:1
		0°±2°	XXX.00/XXX.00	XXX.00/XXX.00	
		dr	ZK HU	04/23/14	dwg no
		engr	ZK HU	04/23/14	sheet of 2
		chr	RICK BIAN	04/23/14	A3
		appd	RICK BIAN	04/23/14	Product Customer Drawing
sheet index	revision	B			
sheet 1	sheet 2				

PRODUCT NUMBER	TOTAL PIN LENGTH		TAIL LENGTH		MATING LENGTH	
	DIM F	DIM G	DIM F	DIM G	DIM H	DIM H
10129378-XY001XLF	0.450	11.43	0.120	3.05	0.230	5.84
10129378-XY002XLF	0.420	10.67	0.090	2.29	0.230	5.84
10129378-XY003XLF	0.538	13.67	0.120	3.05	0.318	8.08
10129378-XY004XLF	0.508	12.91	0.090	2.29	0.318	8.08

NOTES:

- MATERIAL BODY MATERIAL: HIGH TEMPERATURE THERMOPLASTIC. FLAME UL94-V0, BLACK. PIN MATERIAL: COPPER ALLOY.
- ANY NUMBER OF POSITIONS N FROM 1 TO 36, PRODUCT MAYBE CUTTING TO POSITION, THE CUTTING PLASH IS 0.02[0.51] MAX.
- PACKING STYLE DEFINITION.
 B: PACKED WITH POLY BAG
 T: PACKED WITH TUBE
 A: PACKED WITH TAPE AND REEL WITH PICK UP CAP
 C: PACKED WITH TAPE AND REEL WITHOUT PICK UP CAP
- TWO SIDES OF PIN TIPS NOT PLATED, TYPICAL BOTH ENDS.
- 2LBS/0.9KG MIN PIN RETENTION IN EITHER DIRECTION BEFORE REFLOW.
- THE OAL DON'T EXCEED 1 INCH / 25.4MM.
- ADD LF AT THE END OF PART NUMBER IS FOR LEAD FREE.
- THESE PRODUCT MEETS EUROPEAN UNION DIRECTIVES AND OTHER COUNTRY REGULATION AS DESCRIBED IN GS-22-008.
- PRODUCT SPECIFICATION: GS-12-1223.
- THIS PRODUCT WILL WITHSTAND EXPOSURE TO 260°C PEAK TEMPERATURE FOR 20 SECONDS IN WAVE SOLDER, INFRA-RED OR VAPOR PHASE SOLDER PROCESS.

PIN PLATING CODES:
 10129378-9YYYXXXXLF 1u"/0.025u MIN Au OVER 50u"/1.27u MIN Ni

mat'l. code	surface	tolerance	projection	product family
SEE NOTES 1	ISD 1302	ISD 406		ECONOSTIK
tr/echn n°dr	date	tolerances unless otherwise specified	title	
B		linear	ECONOSTIK HEADER	
		angles	.100/2.54cc SR STRAIGHT	
		0°±2°	scale 2:1	
		dr		sheet 2 of 2
		ZK HU		10129378
		ZK HU		Product Customer Drawing
		chr		
		RICK BIAN		
		appd		
sheet index	revision			

4 PDS: Rev : B STATUS: Released Printed: Aug 14, 2014