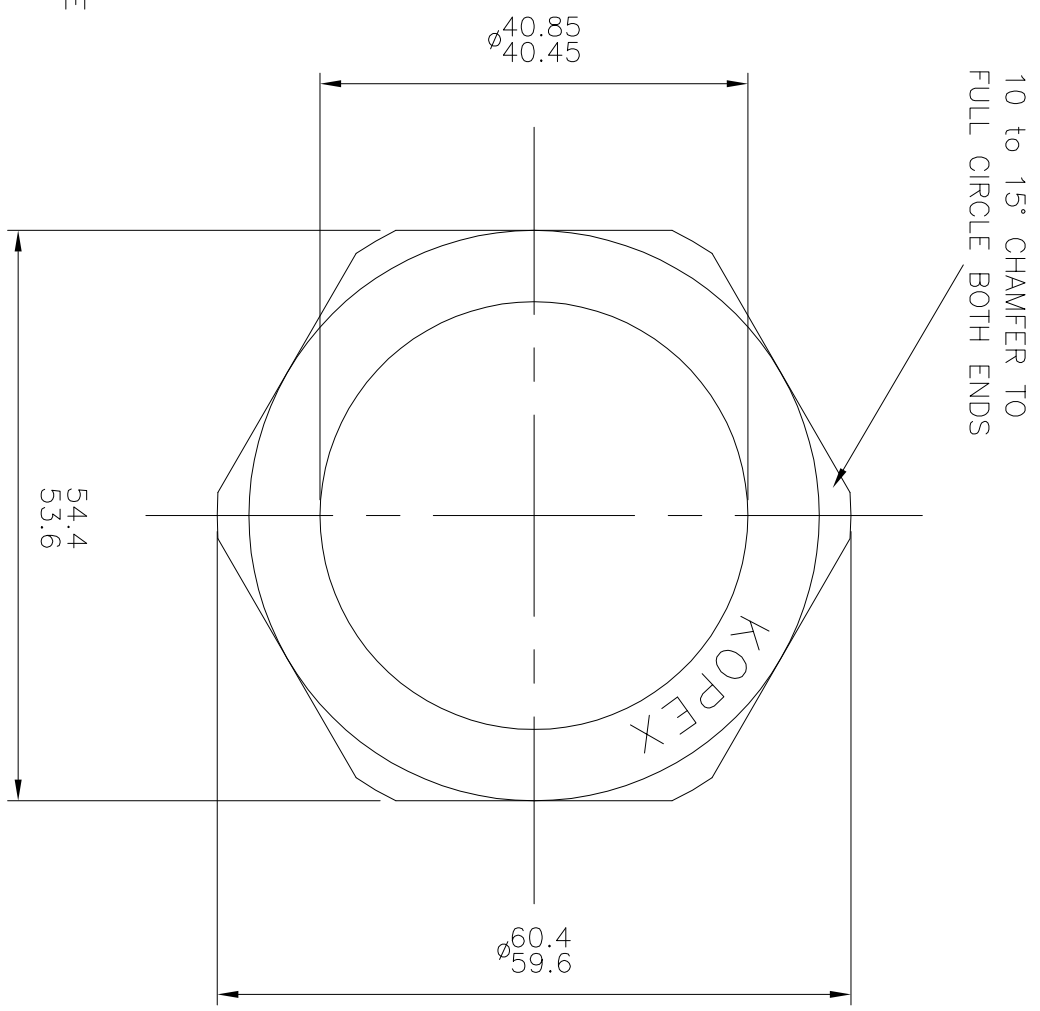


THREAD RUNOUT
 1.5 PITCHES WIDE
 DO NOT DAMAGE
 SEALING FACE



THIRD ANGLE PROJECTION

ISSUE	1	2	3	4	5	6	7	8	9	10
DATE	23.07.99									
C/N	1977									

UNSTATED LIMITS NO DEC.	ANGLES ±5°	MAT'L & SPEC'	FINISH & SPEC'	DRAWING
				BRASS CZ121
				NOT TO SCALE
1 DEC.	±0.2	FINISH & SPEC'	FLASH PLATED	ASSEMBLED ON BCM 07
2 DEC.	±0.05			
3 DEC.	±0.025			

PLATING ALLOWANCE TO BE LEFT ON THREADS.
 ALL DIAMETERS TO BE CONCENTRIC WITHIN 0.12 T.I.R.
 DIMENSIONS IN MILLIMETRES UNLESS OTHERWISE STATED.
 REMOVE ALL BURRS AND SHARP EDGES.

KOPEX INTERNATIONAL LTD.
 SLOUGH, ENGLAND.

THIS DRAWING IS PRIVATE & CONFIDENTIAL.
 IT MUST NOT BE COPIED OR OTHERWISE
 REPRODUCED WITHOUT THE PERMISSION
 OF KOPEX INTERNATIONAL LTD.

TITLE	C12 COMPRESSION NUT 40mm (MACHINED)			
DRAWN	DATE	CHECKED	DRG No	030239-07
CKP	15.05.01			