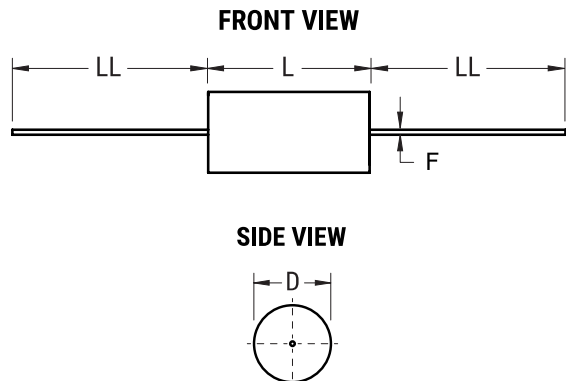


KEMET Part Number: A72QK1470AA02K
(72QK1470AA02K)

A72, Film, Film/Foil Polypropylene, General Purpose, 4700 pF, 10%, 400 VAC, 1000 VDC, 85°C



General Information	
Supplier:	KEMET
Series:	A72
Dielectric:	Film/Foil Polypropylene
Style:	Axial
RoHS:	Yes
Lead:	Wire Leads
Miscellaneous:	Above 85C DC And AC Voltage Derating Is 1.25%/C. maxK0 = 28000000

Dimensions	
D	9.5mm MAX
L	20.5mm MAX
LL	40mm +/-5mm
F	0.8mm +/-0.05mm

Specifications	
Capacitance:	4700 pF
Capacitance Tolerance:	10%
Voltage AC:	400 VAC
Voltage DC:	1000 VDC, 750 VDC (105C)
Temperature Range:	-55/+105C
Rated Temperature:	85°C
Dissipation Factor:	0.05% 10kHz, 0.10% 100kHz
Insulation Resistance:	100 GOhms
Max dV/dt:	14000 V/us
Inductance:	20.5 nH

Packaging Specifications	
Packaging:	Bulk, Bag
Packaging Quantity:	750

Statements of suitability for certain applications are based on our knowledge of typical operating conditions for such applications, but are not intended to constitute - and we specifically disclaim - any warranty concerning suitability for a specific customer application or use. This Information is intended for use only by customers who have the requisite experience and capability to determine the correct products for their application. Any technical advice inferred from this Information or otherwise provided by us with reference to the use of our products is given gratis, and we assume no obligation or liability for the advice given or results obtained.